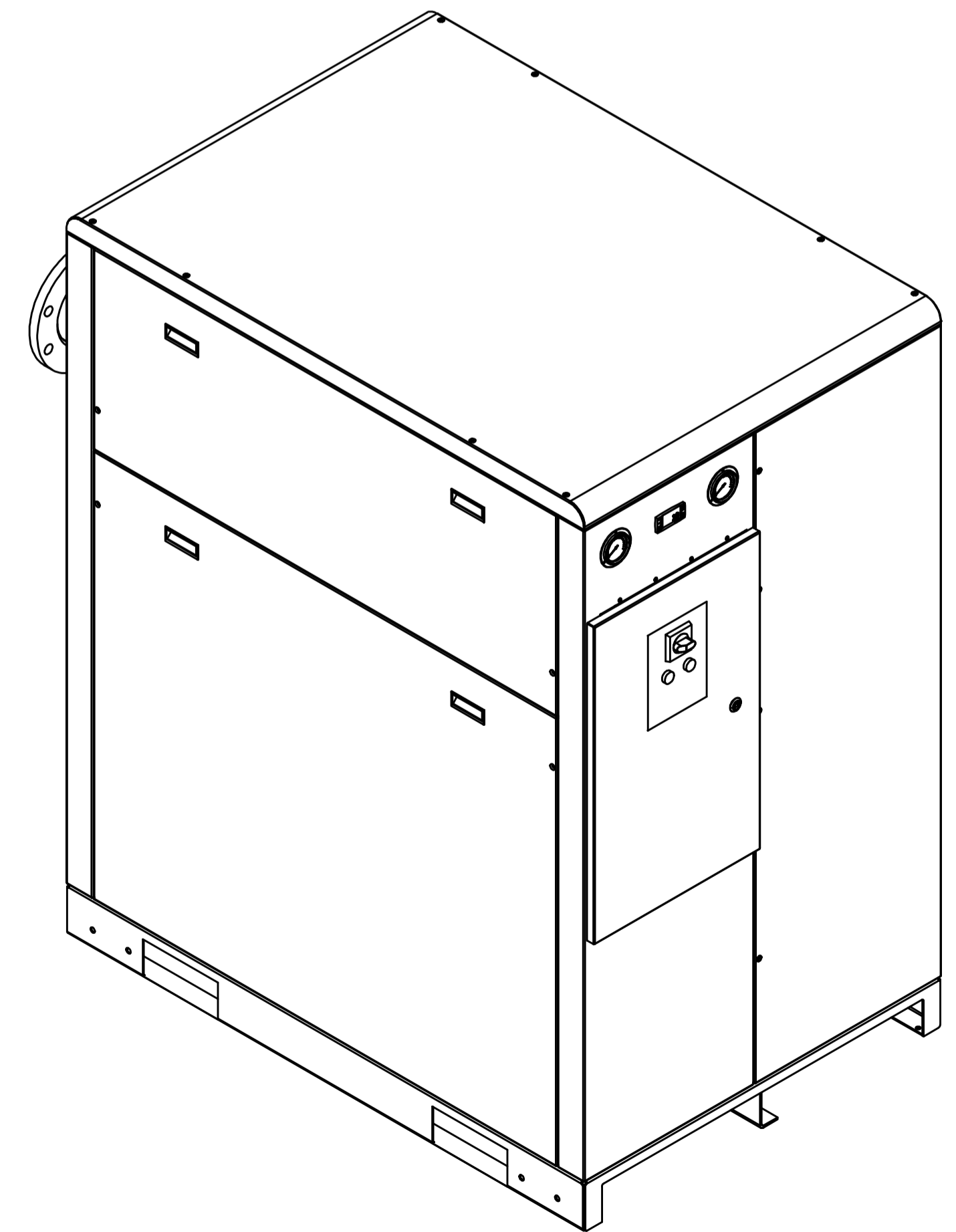
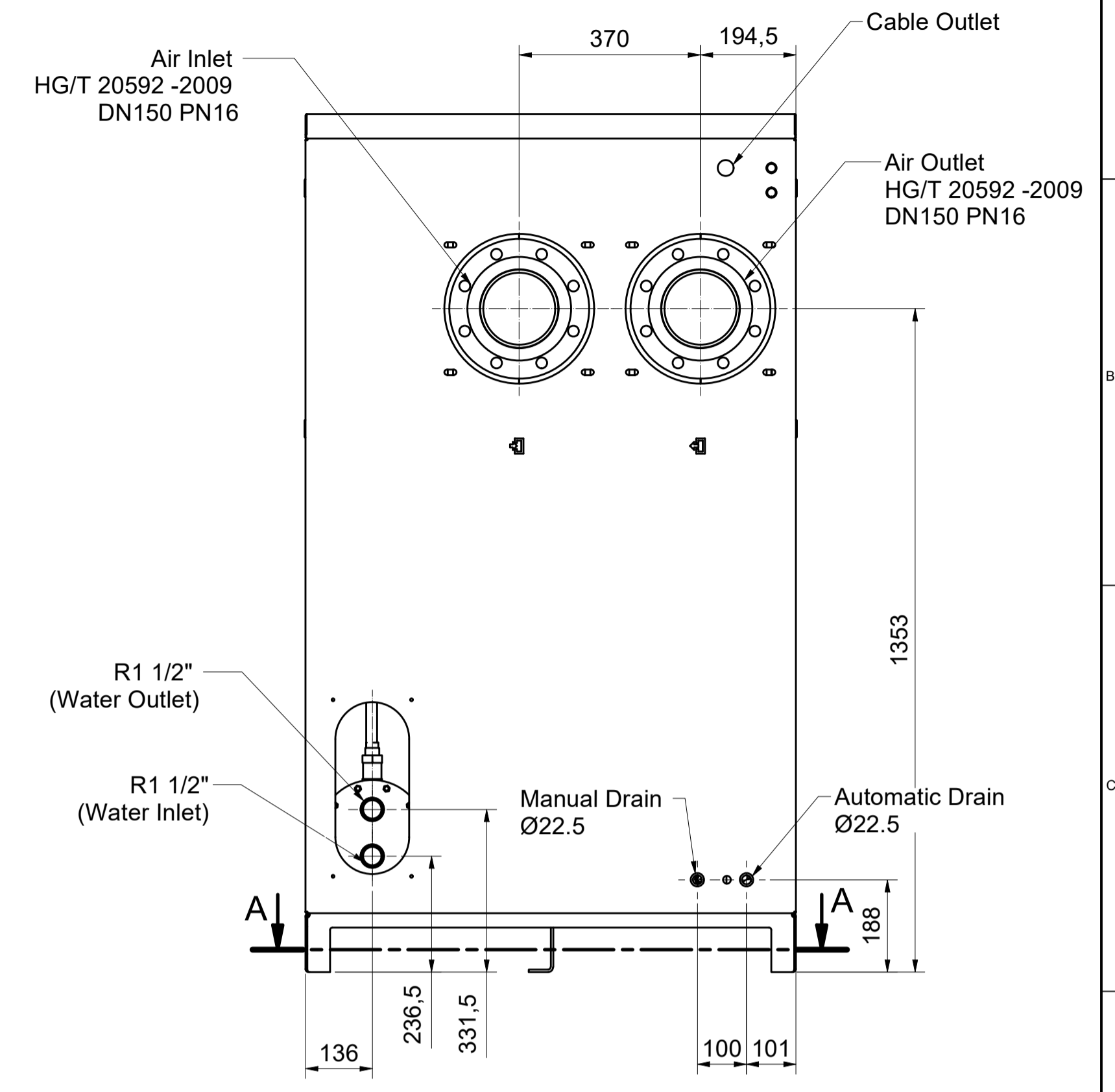
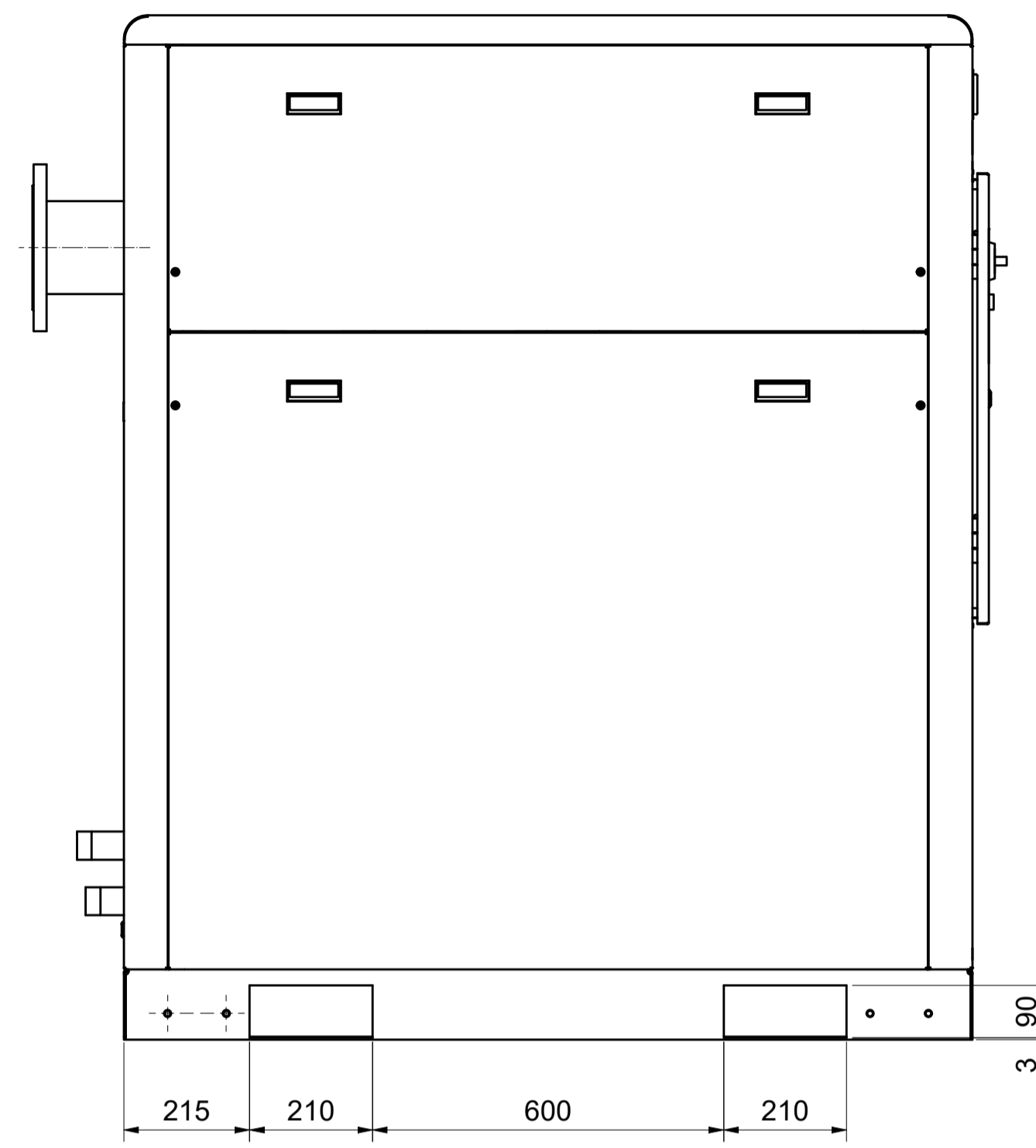
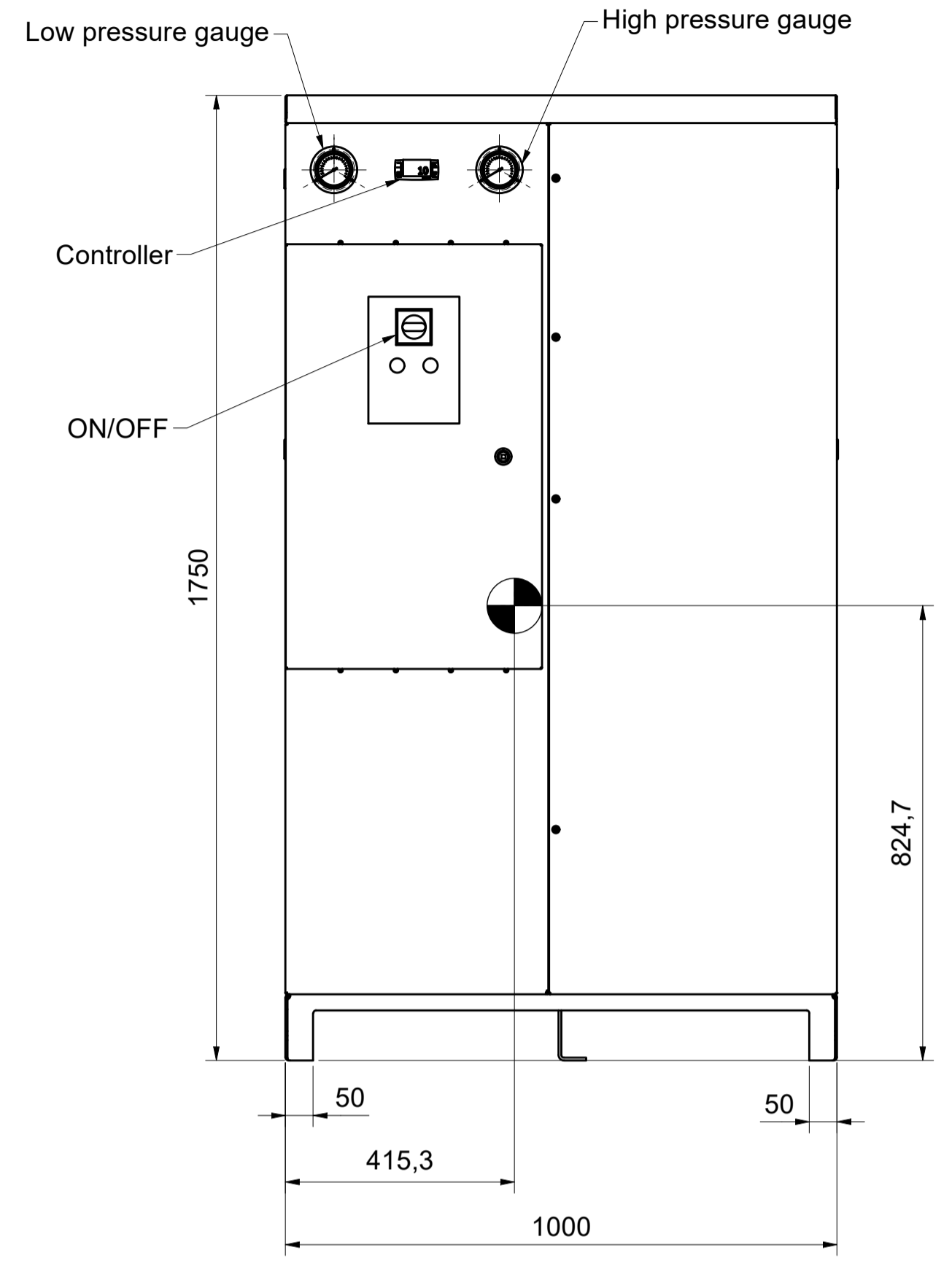
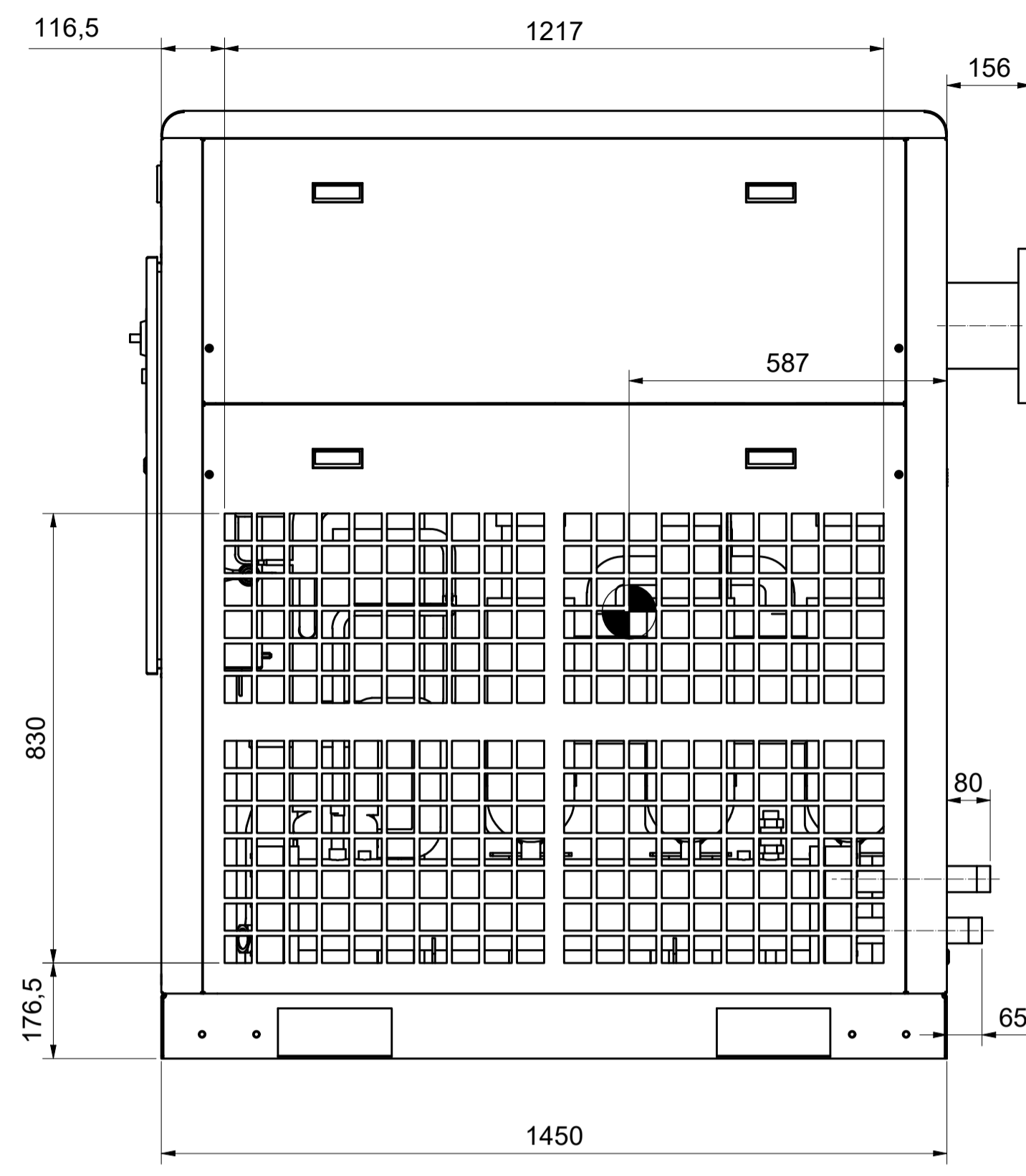
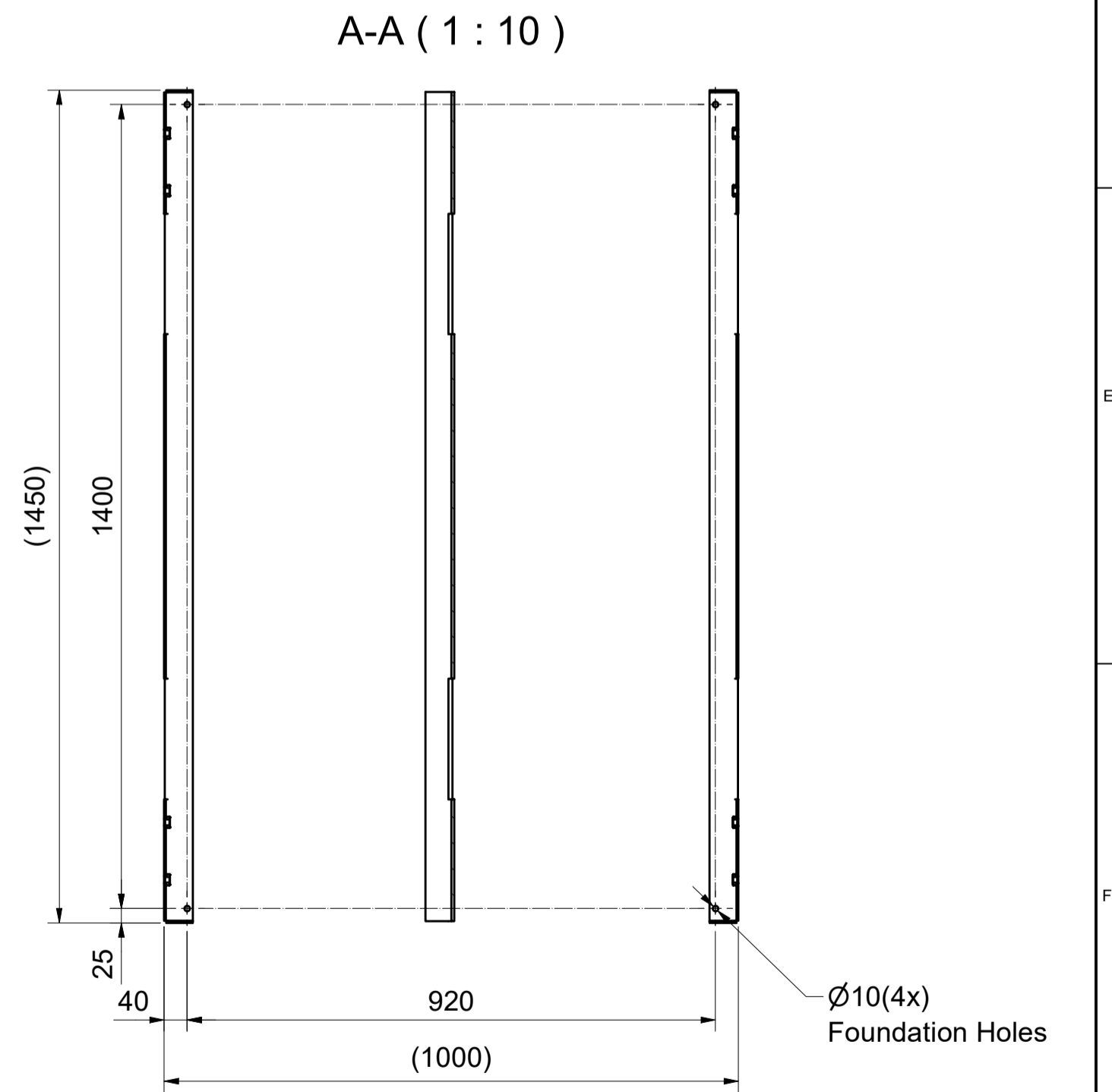


All materials supplied are in compliance with the requirements of the List of Prohibited Substances



Center of Gravity



Name		Dimension Drawing		DXR750W-A		Confidentiality Class		acc. to 1102 K	
Material		Not Applicable				Internal			
Treatment		Not Applicable				INV			
Scale		1 : 10		Family		Compare		Drawing Owner	
Drawn by		coxwx		Blank nr.		Replaces		Transferred from	
Drawing format		Blank wt		Fini wt.		Designation		Sheet	
STATUS		A1		Kg		419.967 kg		9843042083	
Parent 3D model		Ed . Version 3D		Approved Internal		Date		3/15/2024	

Ed	Position	Modified from	Date	Intr./Appr.

--	--	--	--	--