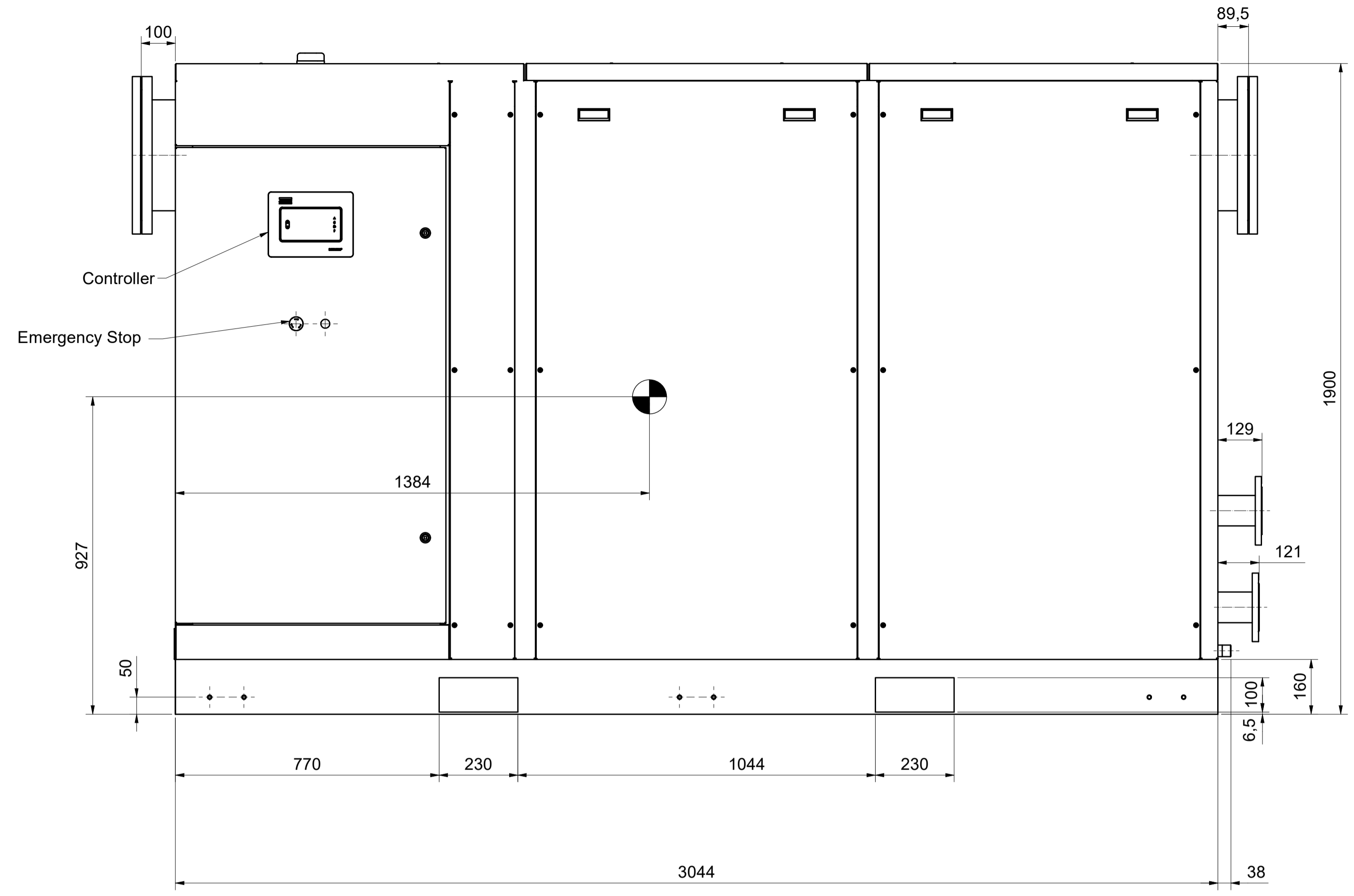
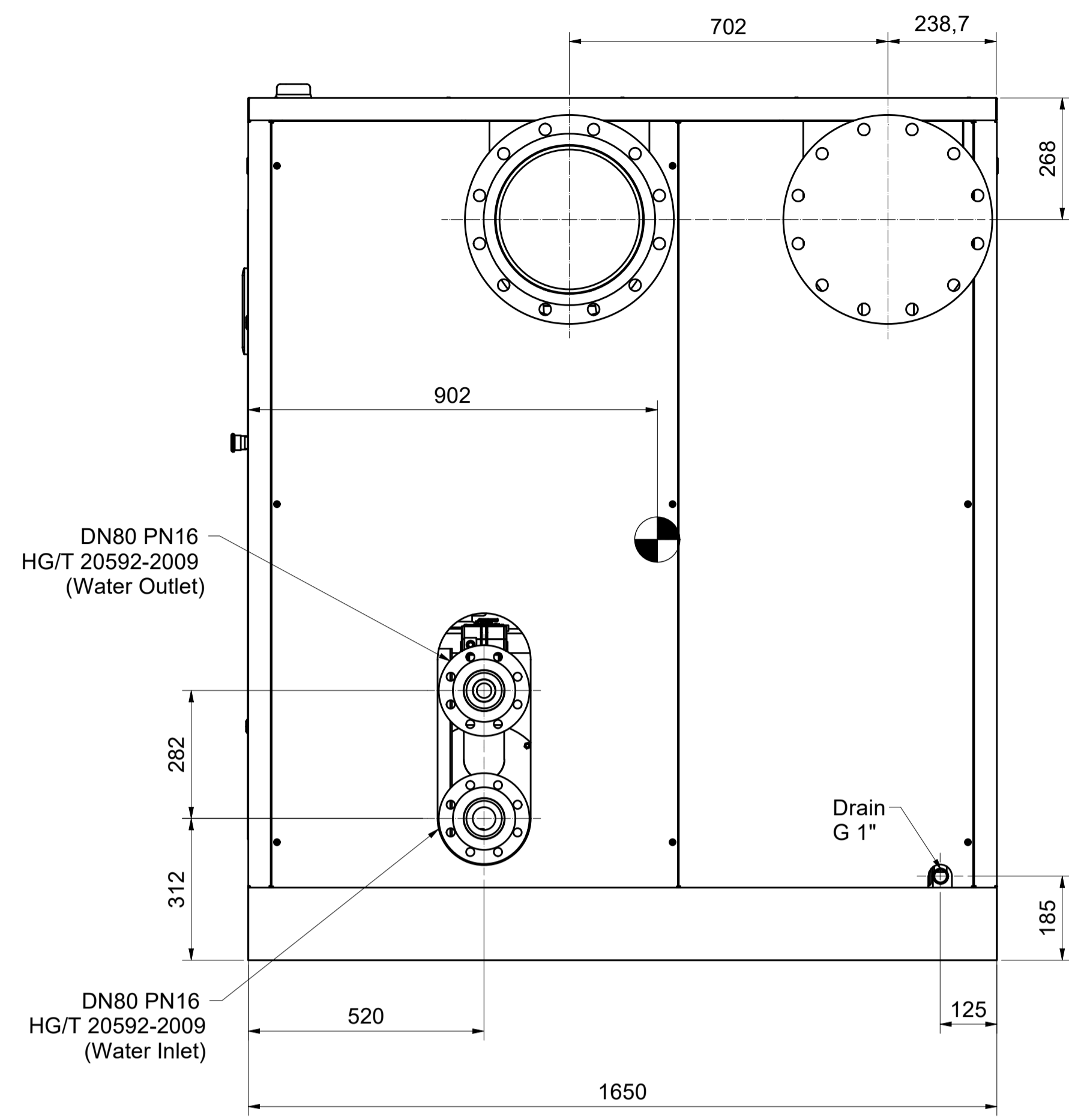
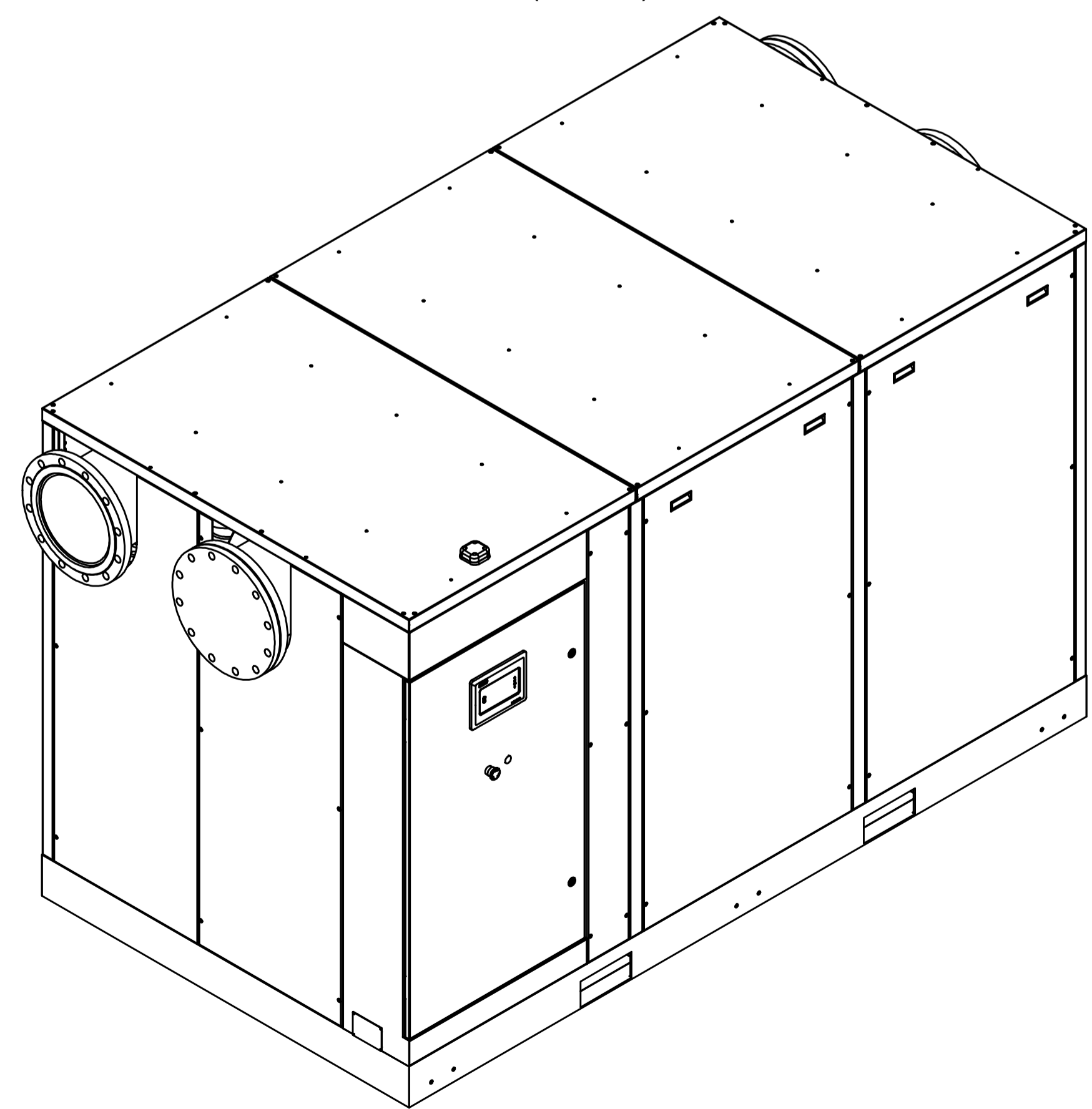


All materials supplied are in compliance with the requirements of the List of Prohibited Substances



3DVIEW (1 : 15)

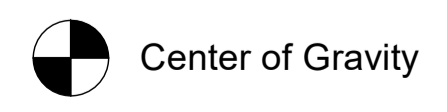


Air Inlet HG/T 20592 -2009 DN300 PN16

FLANGE PANEL HG/T 20592 -2009 DN300 PN16

FLANGE PANEL HG/T 20592 -2009 DN300 PN16

Air Outlet HG/T 20592 -2009 DN300 PN16



Tolerances, if not indicated, according to:									
Name	Dimension Drawing DXR3960W-A			Confidentiality Class acc. to 1102 K					
Material	Not Applicable			Internal					
Treatment	Not Applicable			INV					
Scale	1 : 10	Family		Compare		Drawing Owner		Transferred from	
Drawn by	coxwx	Blank nr.		Replaces		CQL			
Drawing format	Blank wt	kg	Finl wt.	2785.600	kg	Designation		Sheet	1 / 1
STATUS	A1	Des. checked.	Prod. checked.	Approved.	Date	3/15/2024	9843042091		

Ed	Position	Modified from	Date	Intr./Appd.

Parent 3D model	Ed - Version 3D
-----------------	-----------------