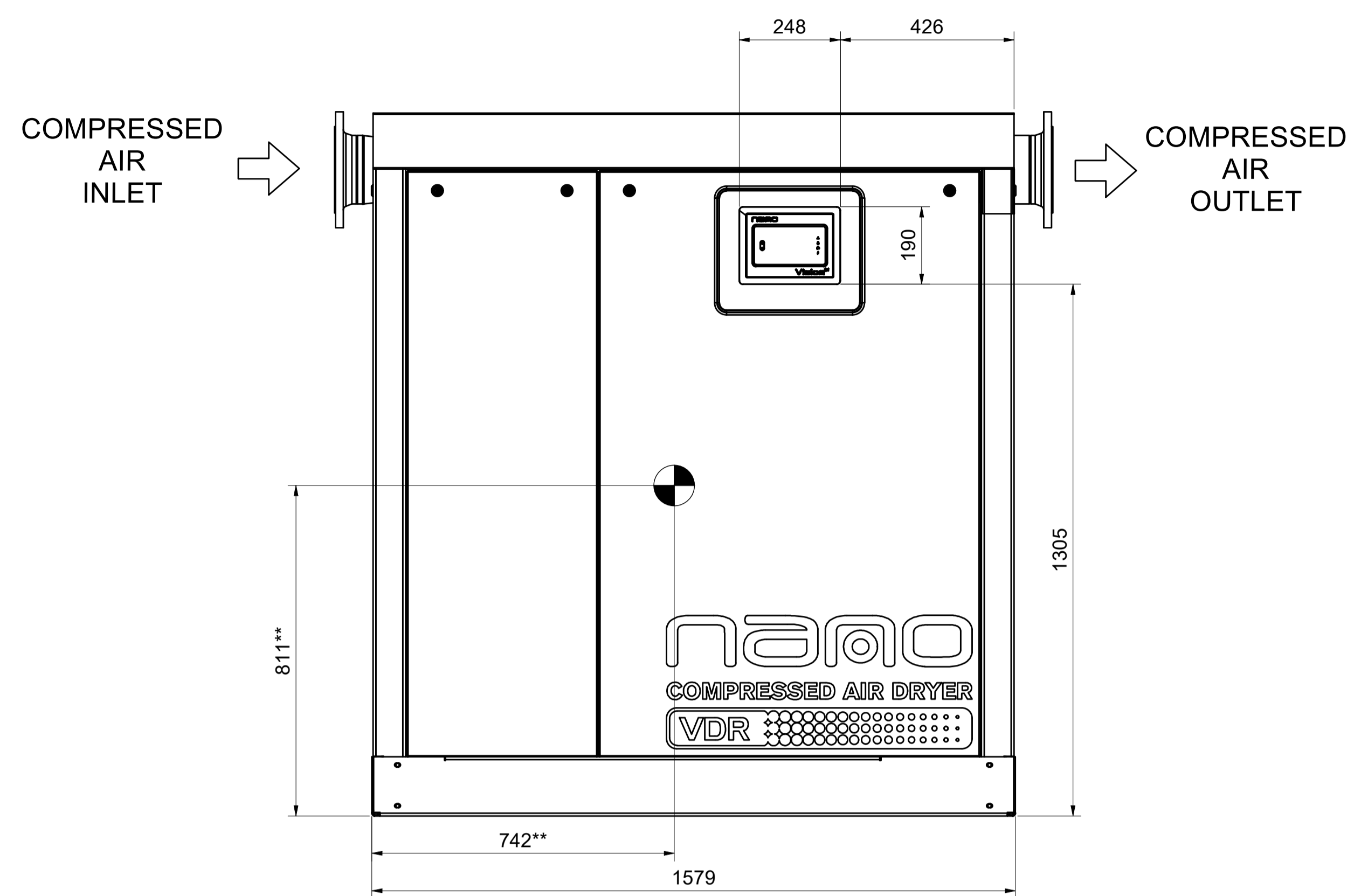


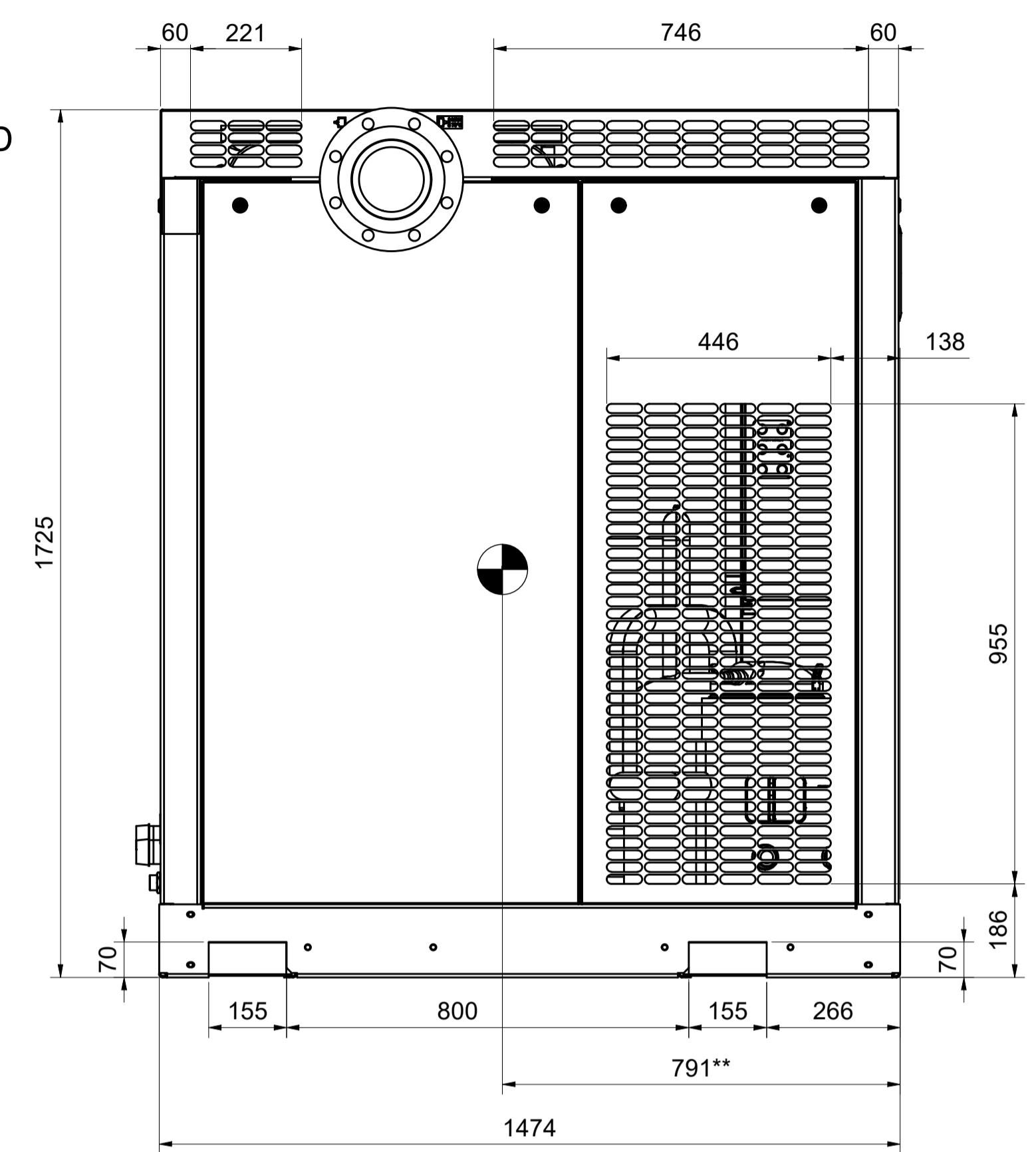
All materials supplied are in compliance with the requirements of the List of Prohibited Substances

VDR 2600-5050
WATERCOOLED

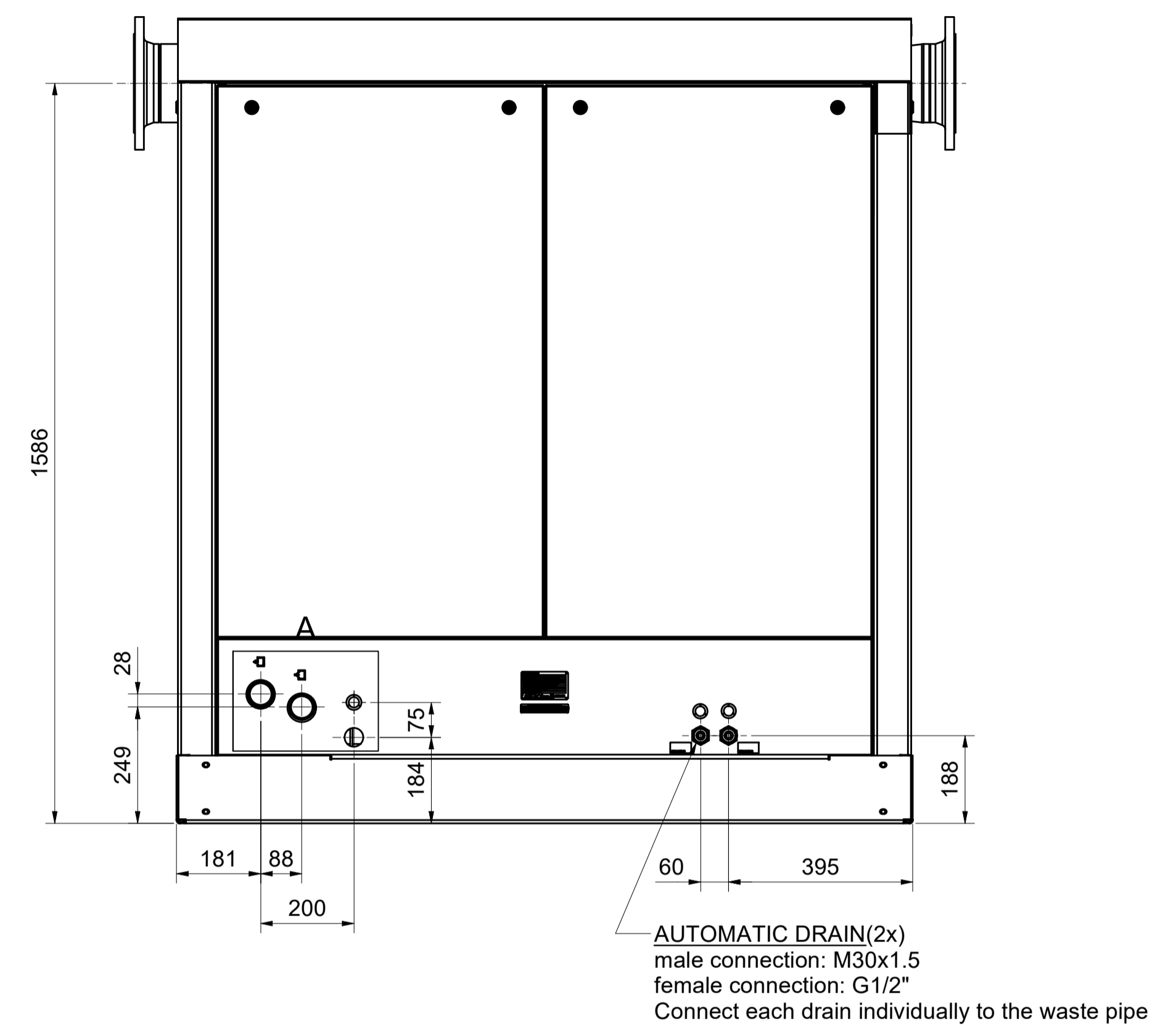
FRONT VIEW



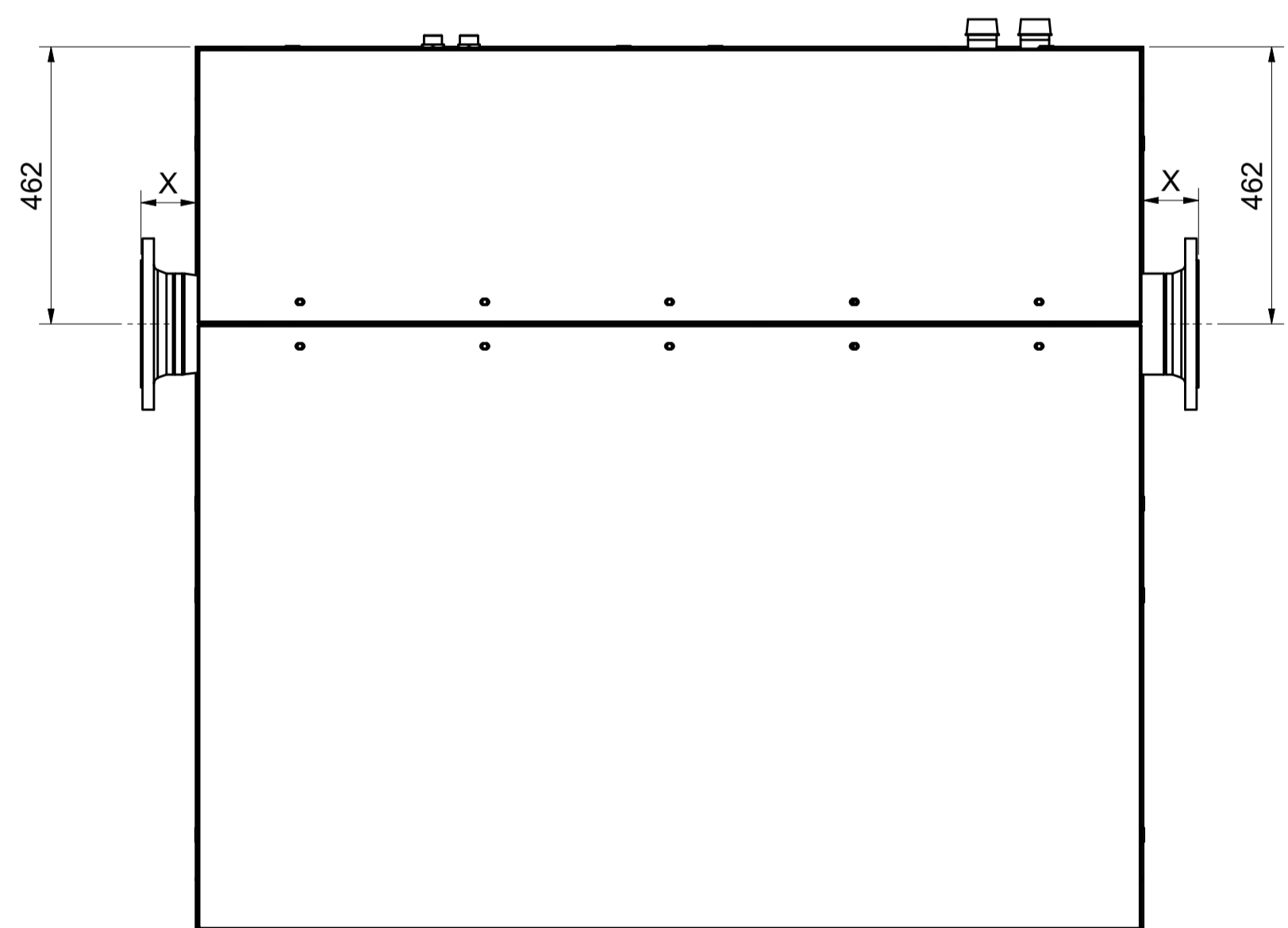
SIDE VIEW



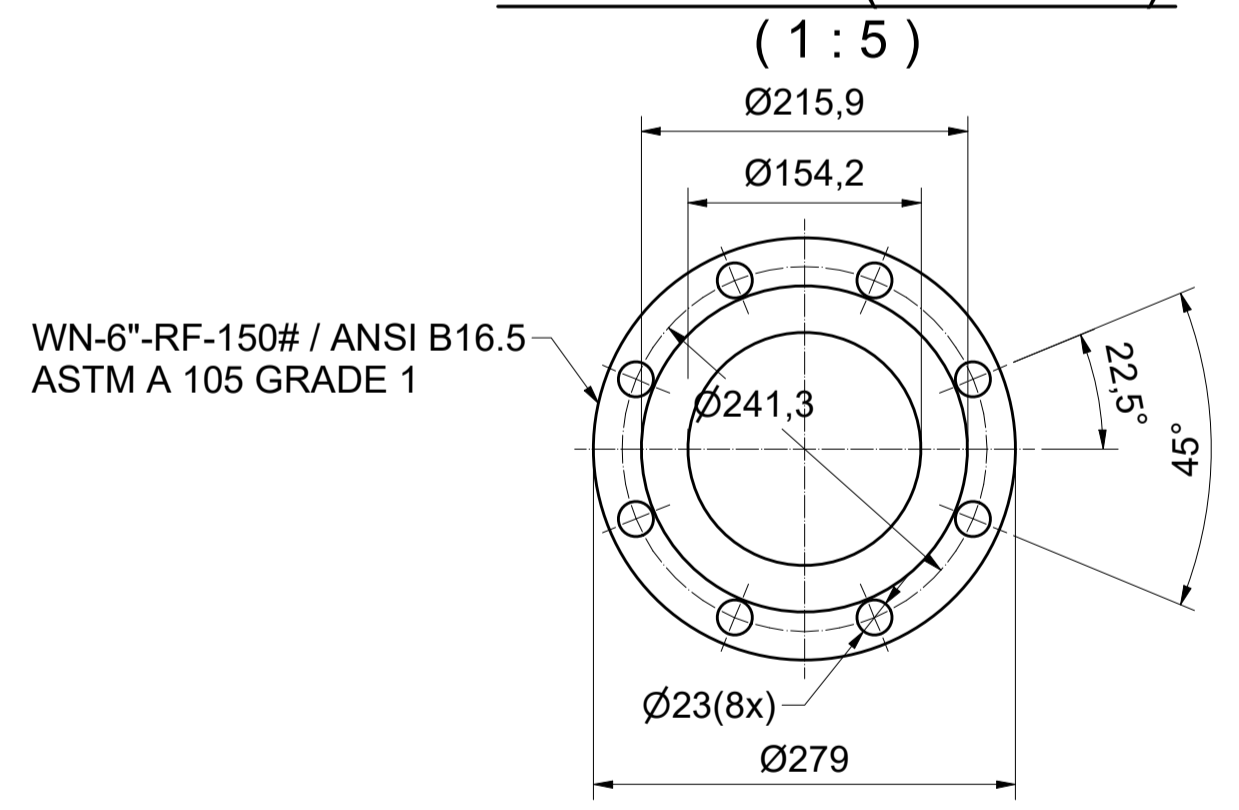
REAR VIEW



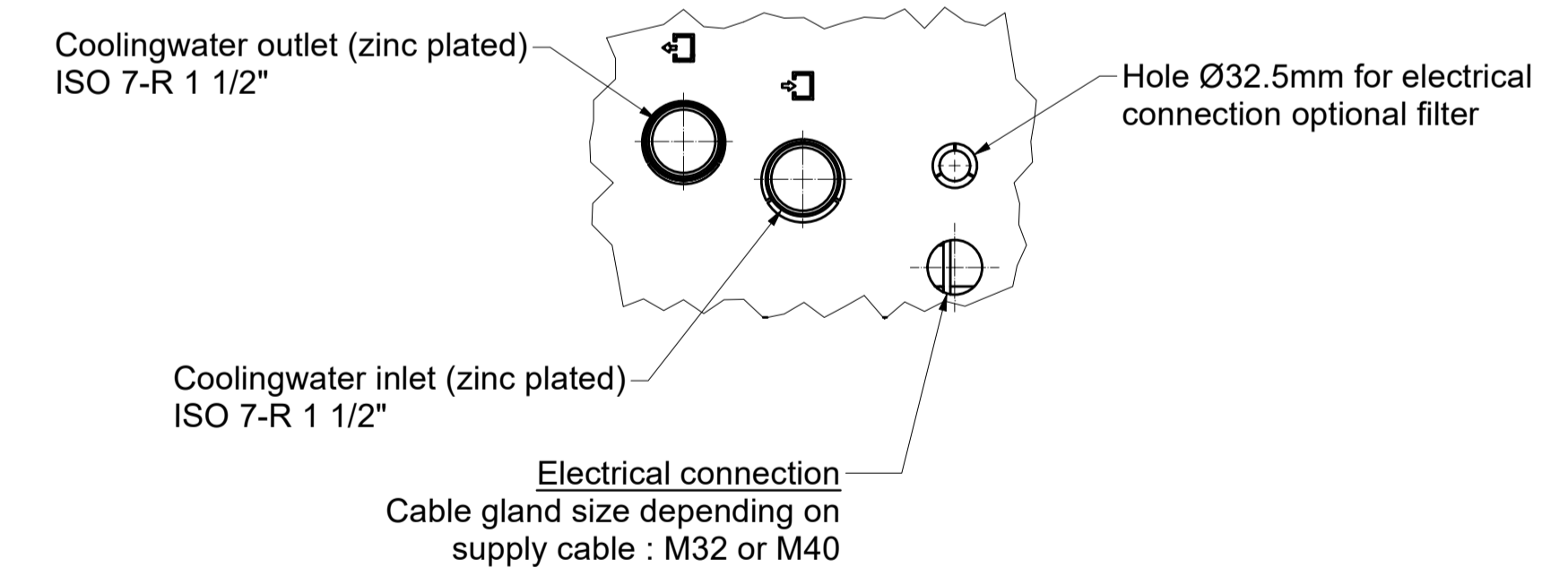
TOP VIEW



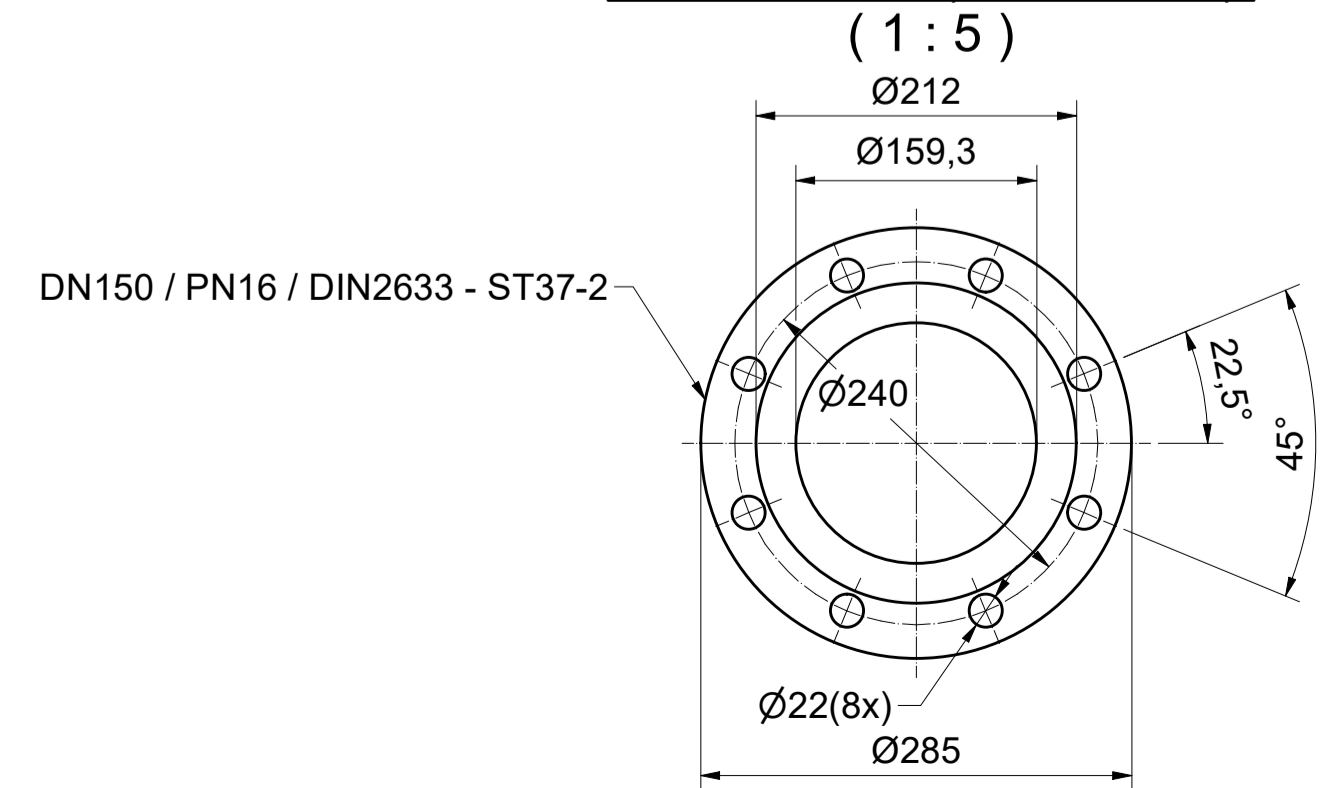
ANSI FLANGE (Zinc Plated)



Water Connections A (1 : 5)



DIN FLANGE (Zinc Plated)



**CENTER OF GRAVITY (APPROXIMATELY)

Dryer Type / Ambient Version	Weight	X DIN FLANGE	X ANSI FLANGE
VDR2600 / 46°C	800 kg	92 mm	126 mm
VDR3150 / 46°C	815 kg	92 mm	126 mm
VDR3700 / 46°C	855 kg	92 mm	126 mm
VDR4200 / 46°C	865 kg	92 mm	126 mm
VDR5050 / 46°C	870 kg	92 mm	126 mm

Tolerances, if not indicated, according to:				
STANDARD CLASS				
Name	DIMENS. DRWG		VDR 2600-5050	
Material	Not applicable		Confidentiality Class acc. to 1102 K Internal	
Treatment	Not applicable		INV	
Scale	1 : 10	Family	A1 Compare	
Drawn by	INEMSI	Blank nr.	Replaces	
Version Drwg		Kg Fini wt.	4034.251 kg	
STATUS	Released	Des checked.	Prod checked.	Approved.
Parent 3D model	1839007680-M1	Ed . Version 3D	Date	13/12/2021
			Designation	
			Sheet 2 / 3	
			Drawing owner APF	
			1839007680-01	

Ed	Position	Modified from	Date	Intr./Appd.	User Agent
1			25/02/2022		

CONFIDENTIAL: This document is our property and shall not be distributed or used without our prior permission. All rights reserved. No part of this document may be reproduced or transmitted in any form or by any means electronic or mechanical, including photocopying and recording, or by any information storage or retrieval system, without prior written permission from INEMSI.