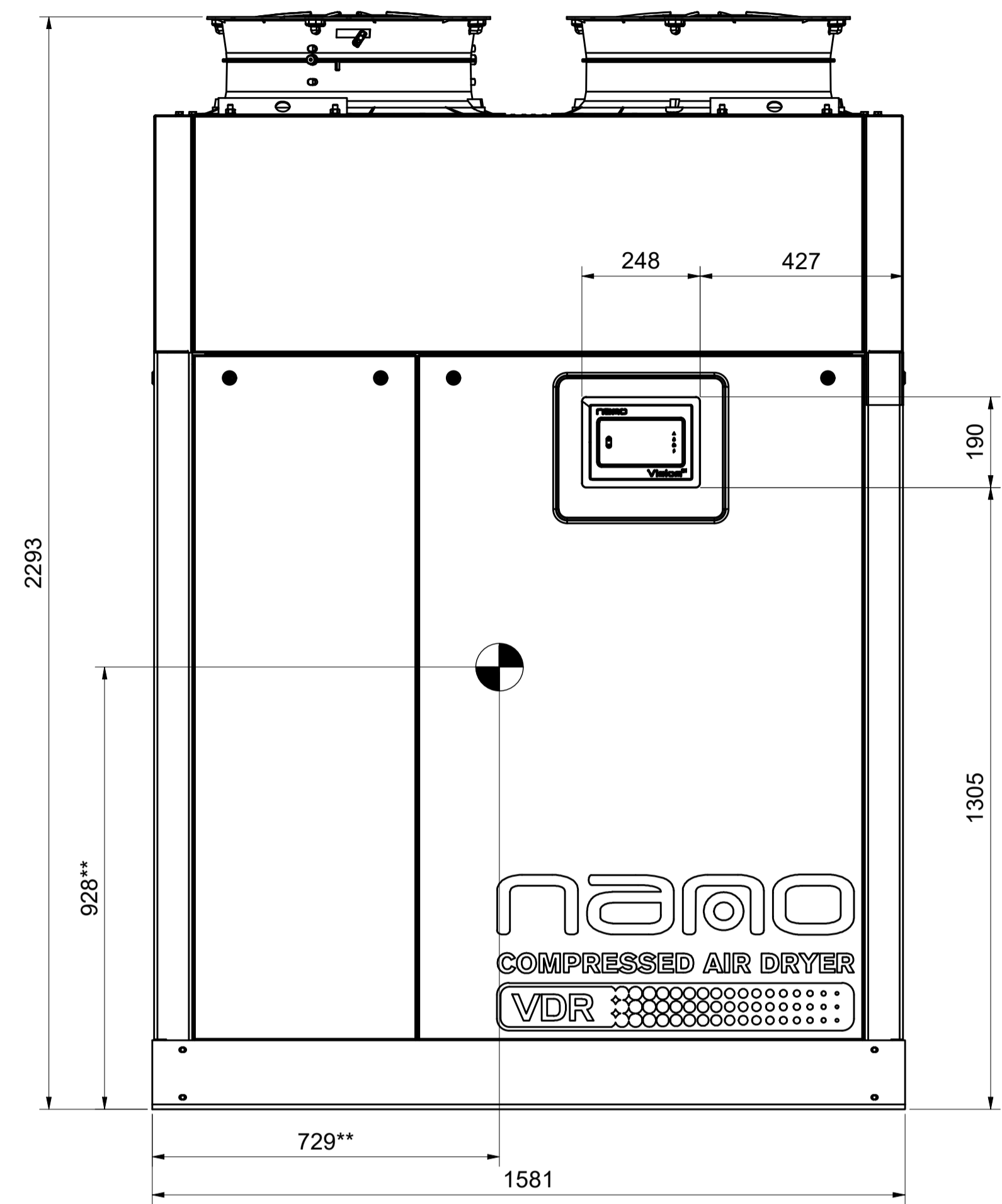


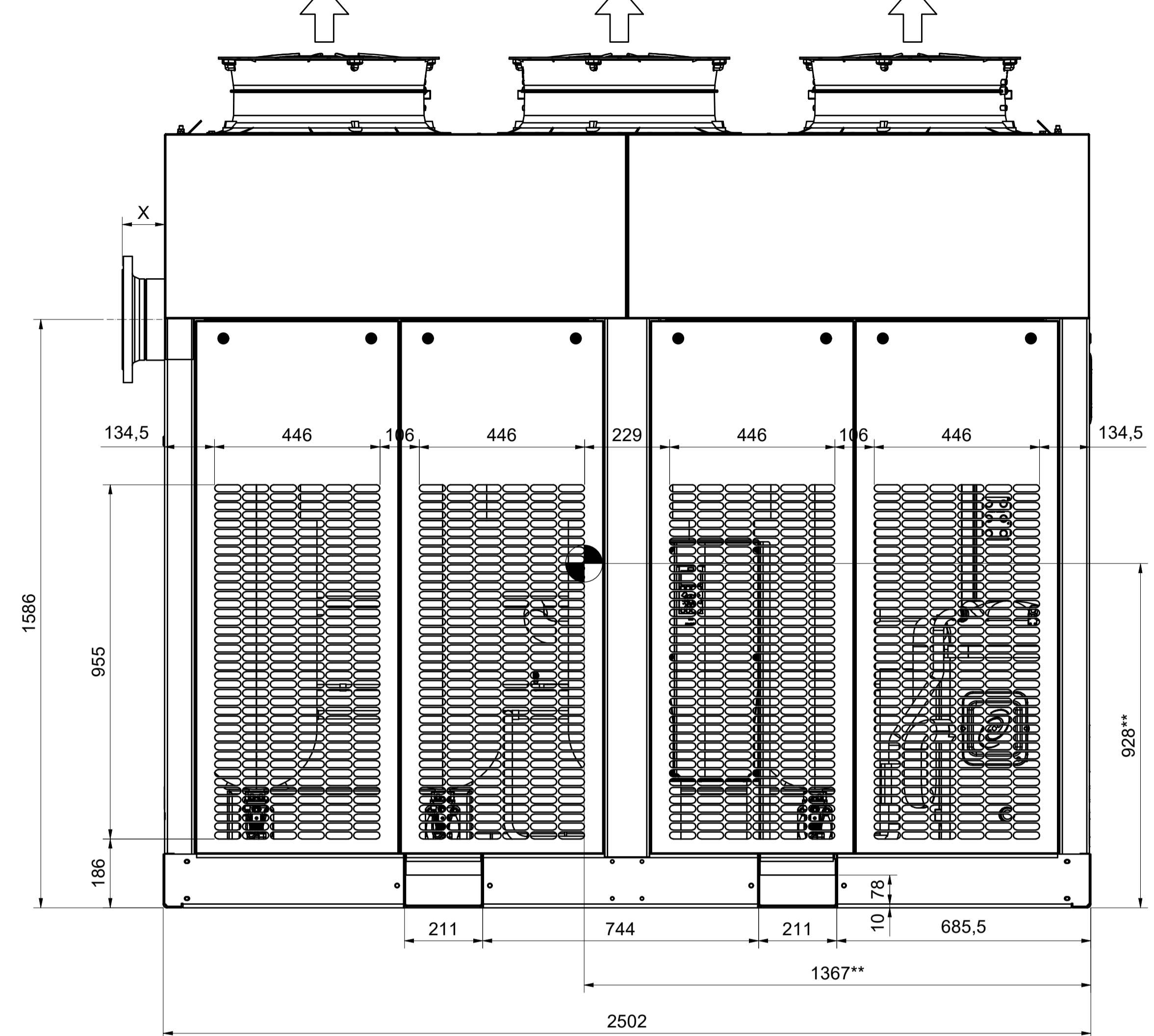
All materials supplied are in compliance with the requirements of the List of Prohibited Substances

VDR6350 / VDR8450
AIRCOOLED
SIDE VIEW

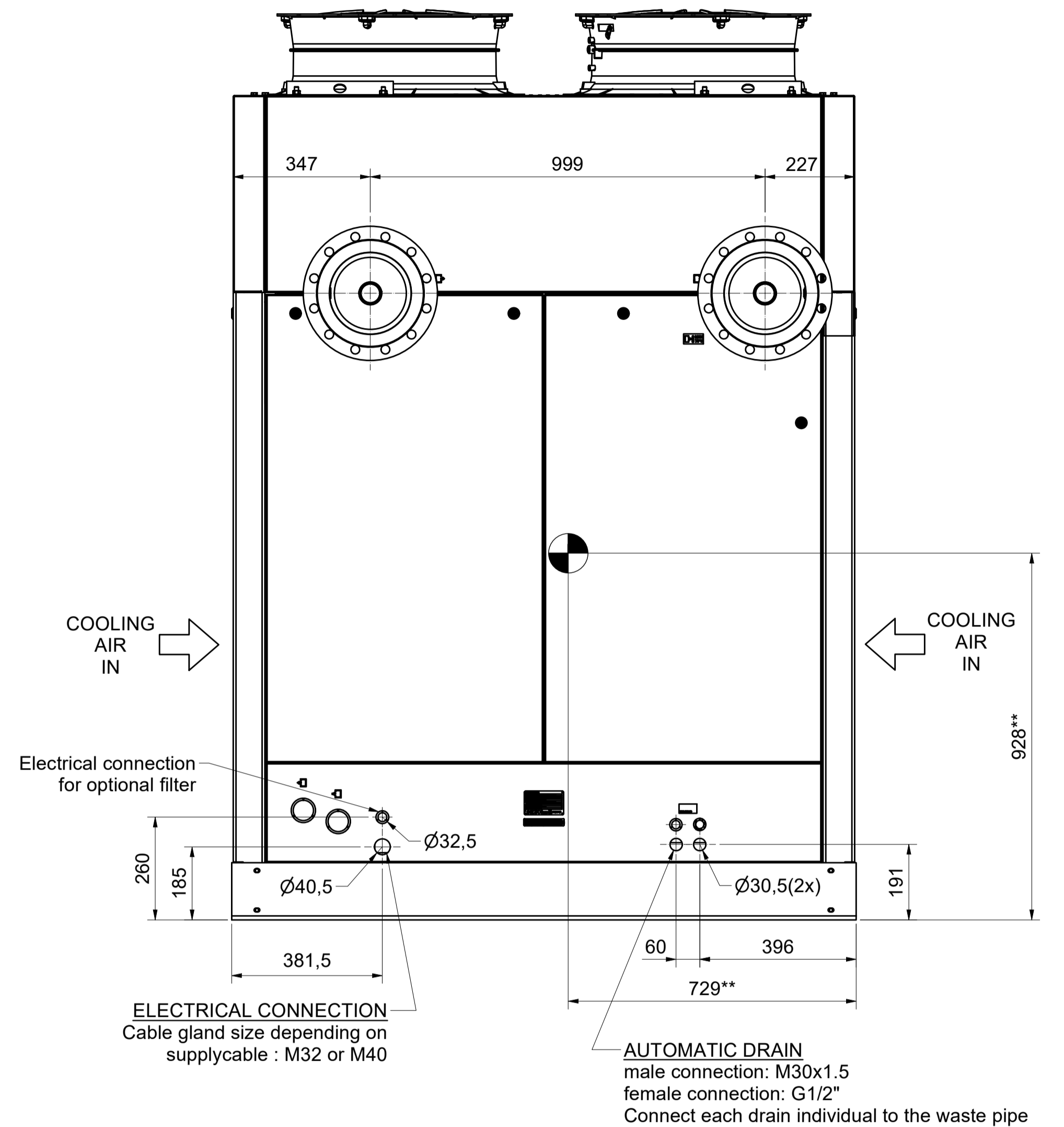
FRONT VIEW



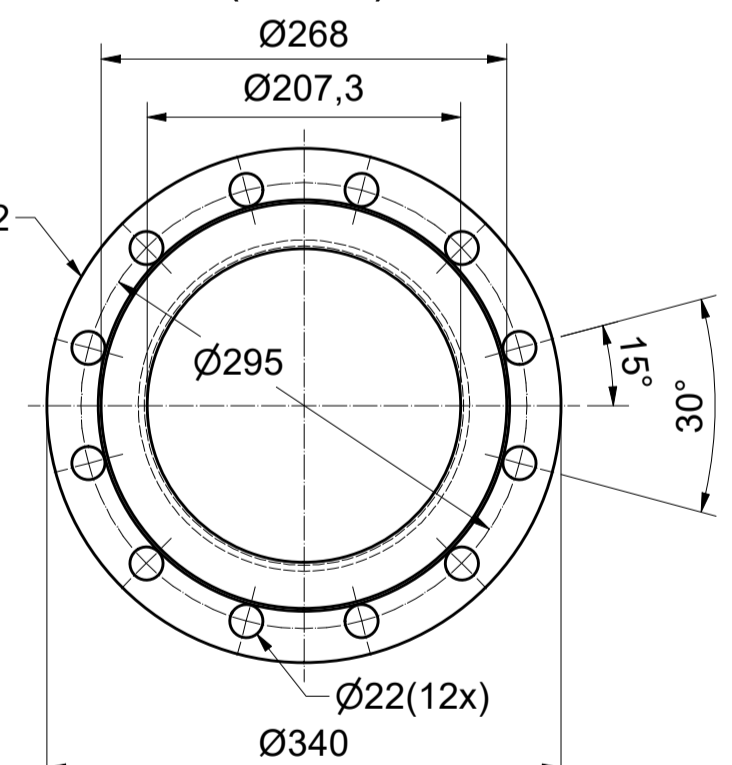
COOLING AIR OUT COOLING AIR OUT COOLING AIR OUT



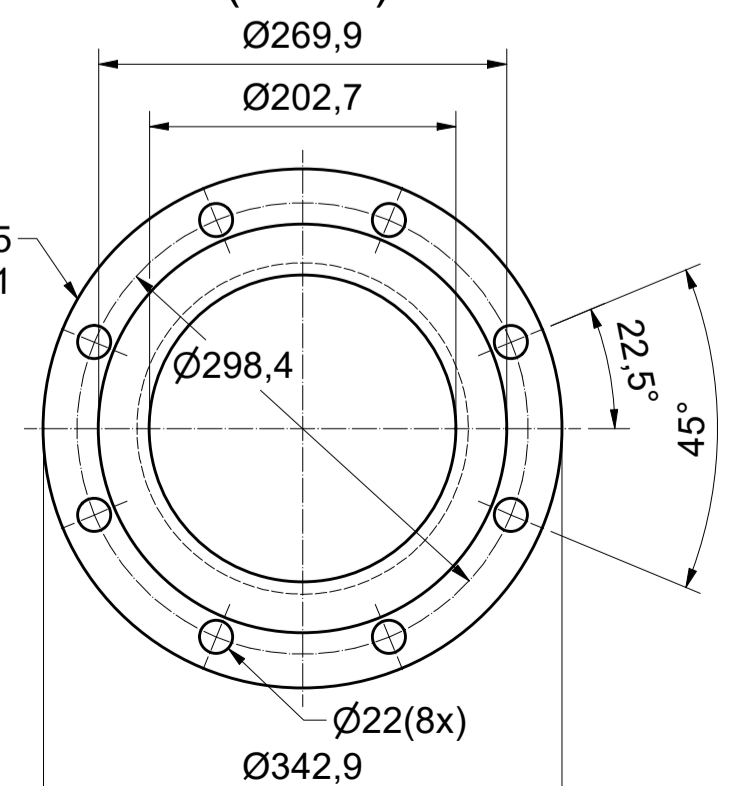
REAR VIEW



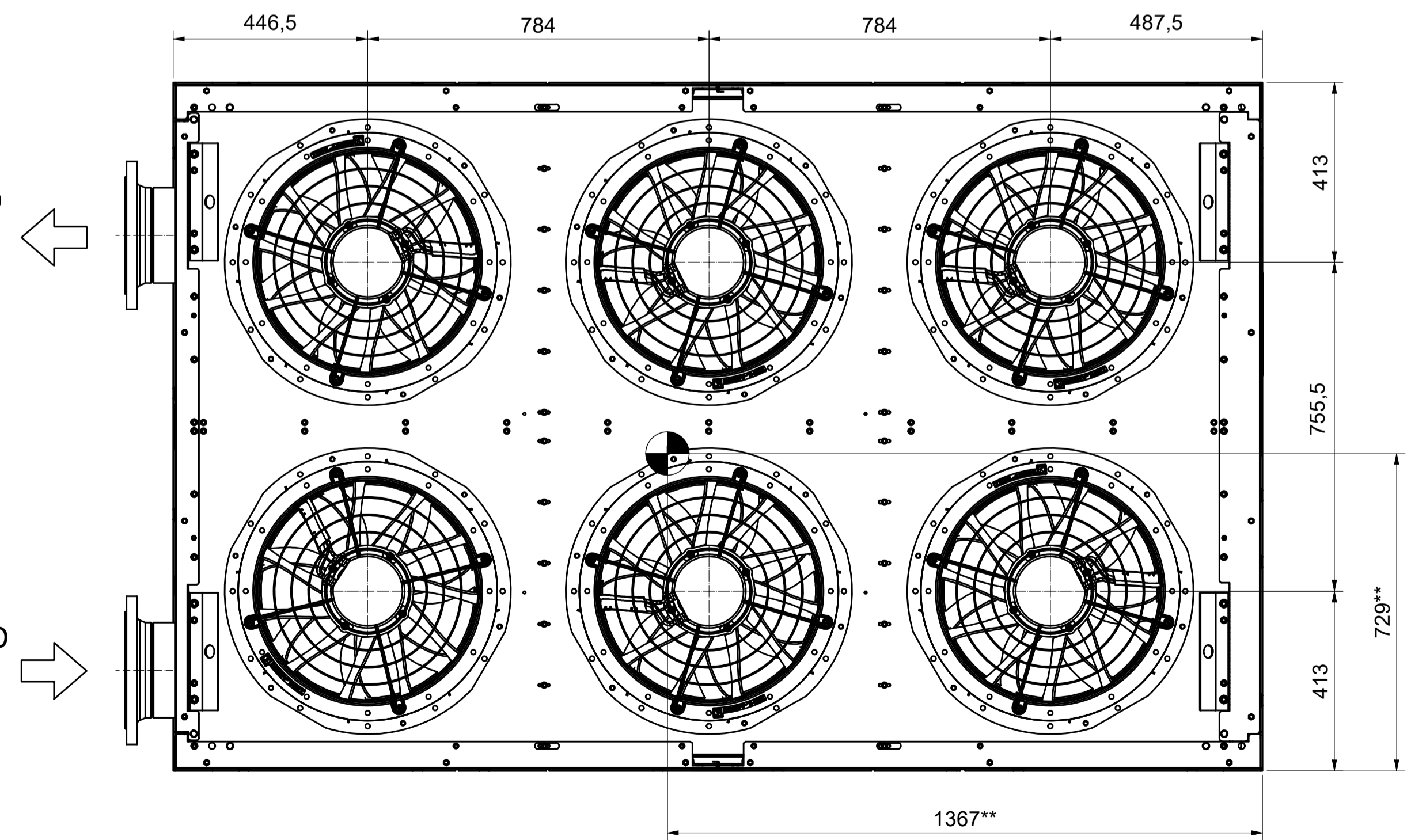
DIN FLANGE (zinc plated)
(1 : 5)



ANSI FLANGE (zinc plated)
(1 : 5)



TOP VIEW



COMPRESSED AIR OUTLET

COMPRESSED AIR INLET

**CENTER OF GRAVITY (APPROXIMATELY)

Dryer Type / Ambient Version	Weight	X DIN FLANGE	X ANSI FLANGE
VDR6350 / 40°C	1690 kg	114	154
VDR8450 / 40°C	1820 kg	114	154

Tolerances, if not indicated, according to:			
STANDARD CLASS			
Name	DIMENS. DRWG	VDR6350 / VDR 8450	Confidentiality Class acc. to 1102 K
Material	Not Applicable		Internal
Treatment	Not Applicable		INV
Scale	1 : 10	Family	A1 Compare
Drawn by	INEMSI	Blank nr.	Replaces
Version Drwg	Blank wt	Kg/Fini wt.	3380.187 kg
STATUS	Des checked.	Prod checked.	Approved.
1839007671-M1	1	Date	12/11/2021
Parent 3D model	Ed - Version 3D	Released	1839007671-01

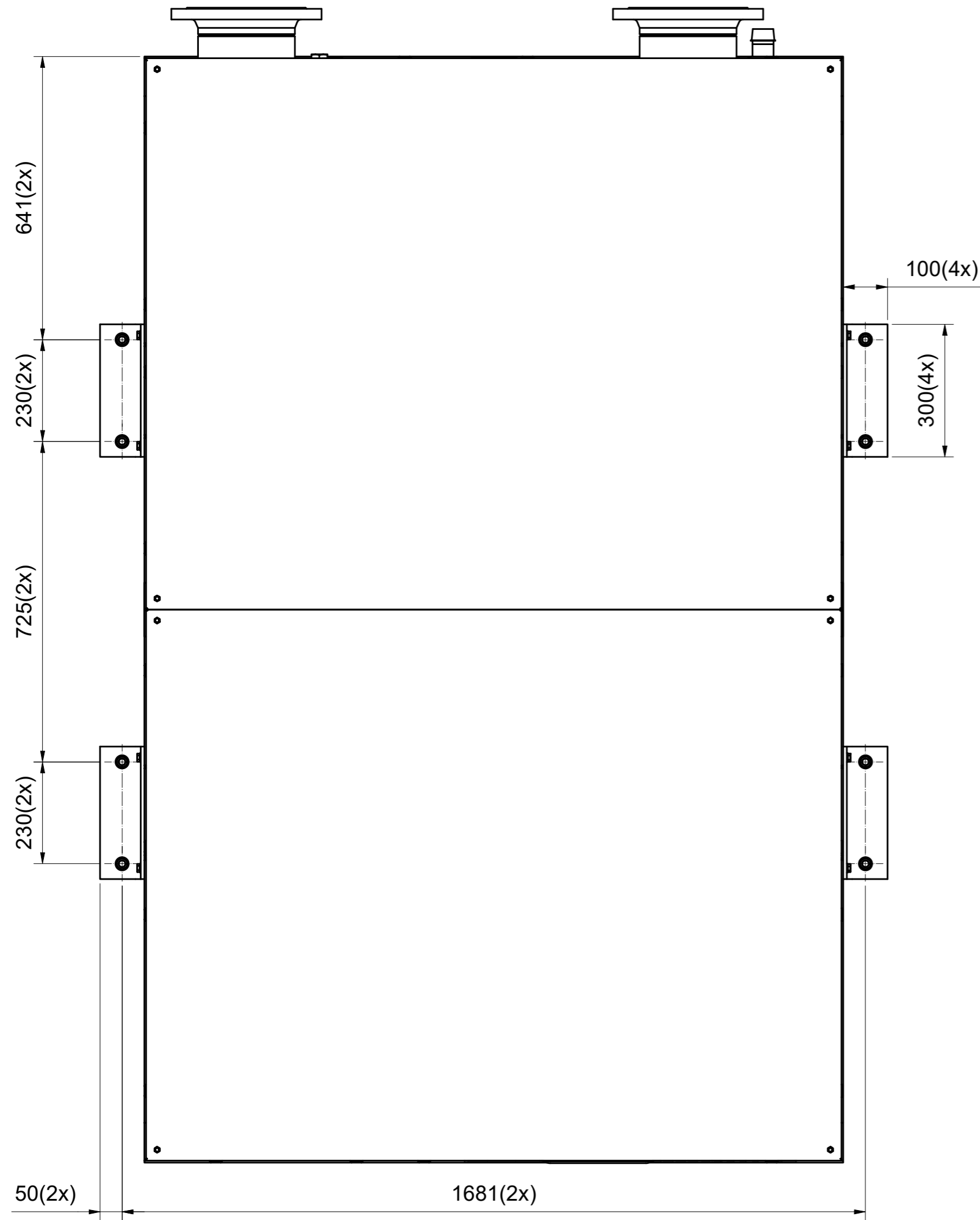
CONFIDENTIAL: This document is our property and shall not be used without our prior permission. Its use is limited to manufacturing or commercialization of any other product or company.

Ed	Position	Modified from	Date	User Agent
1			25/02/2022	

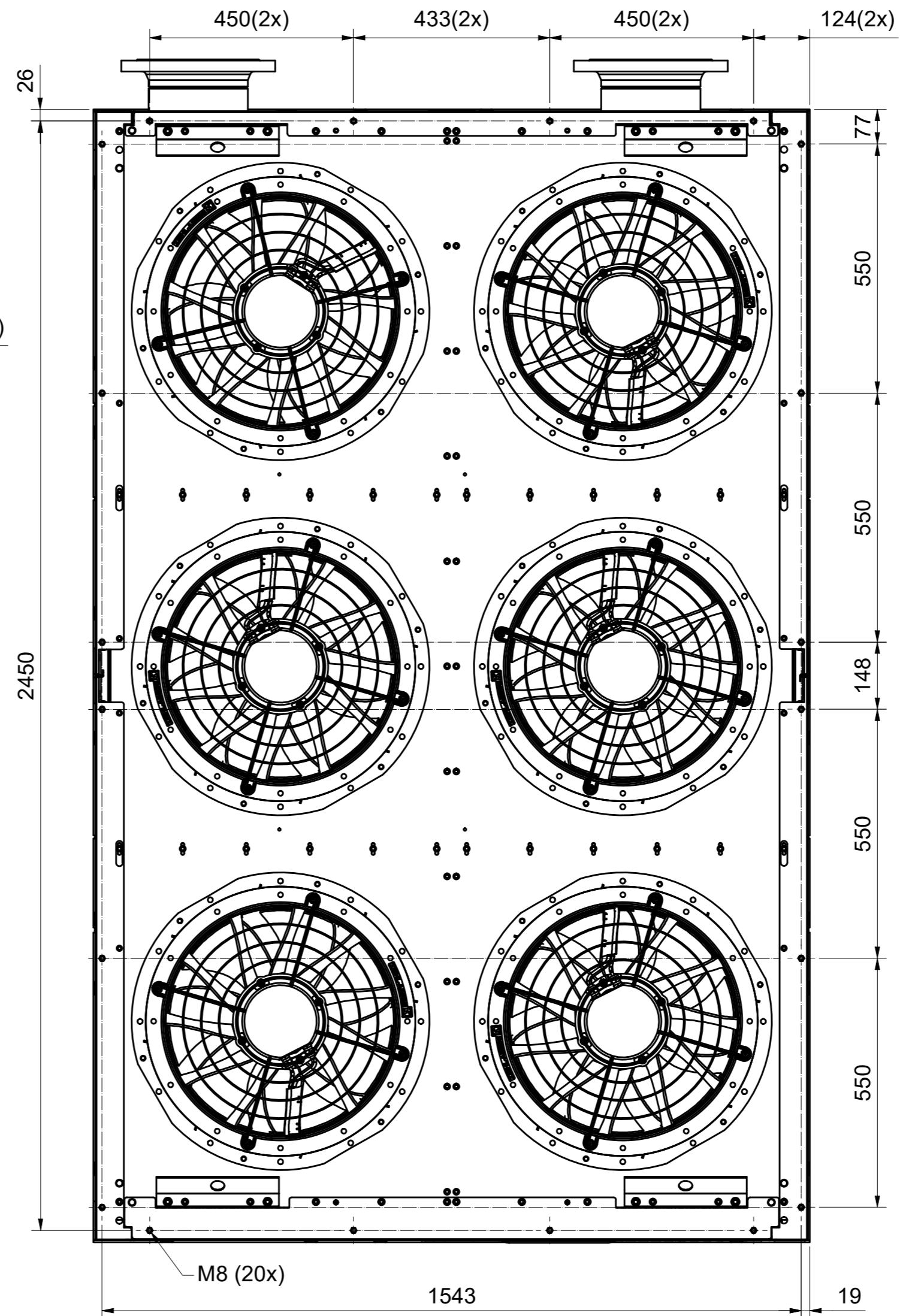
All materials supplied are in compliance with the requirements of the List of Prohibited Substances

CONFIDENTIAL: This document is our property and shall not be disclosed, copied, used for manufacturing or communicated to any other person or company.

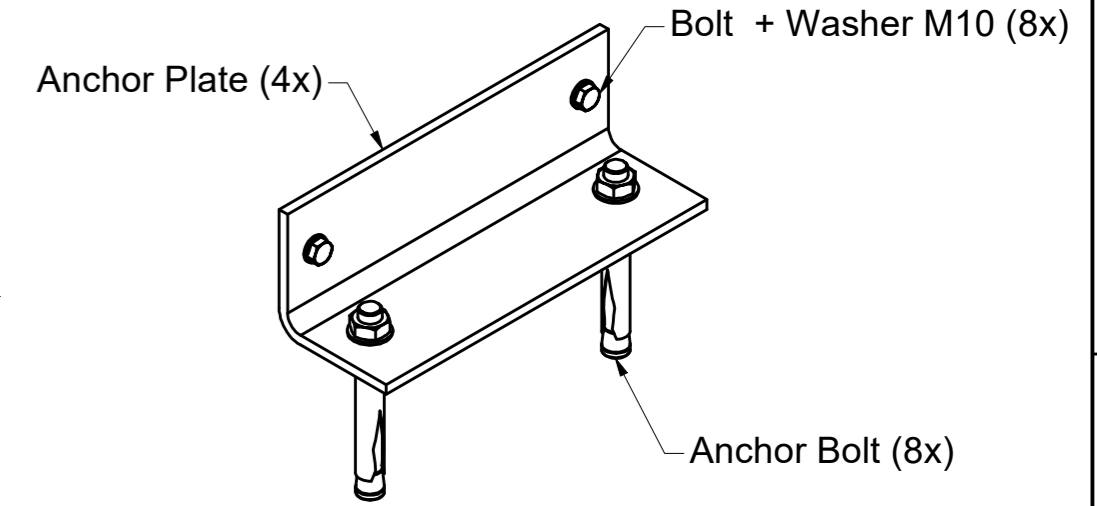
ANCHOR PADS



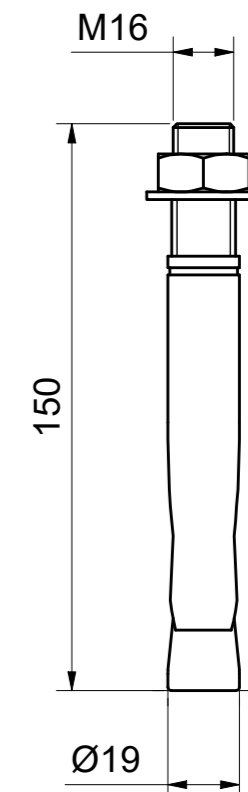
DUCTING CONNECTIONS



ANCHOR KIT (1:5)



ANCHOR BOLT (1:2)



Tolerances, if not indicated, according to:										
STANDARD CLASS										
Name		DIMENS. DRWG			VDR6350 / VDR 8450			Confidentiality Class		
Material		Not Applicable						Internal		
Treatment		Not Applicable						INV		Drawing owner APF
Scale		1:10		Family		A2 Compare				
Drawn by		INEMSI		Blank nr.		Replaces				
Version Drwg		Blank wt		Kg		Fini wt.		3380.187 kg		
STATUS		Des checked.		Prod checked.		Approved.		Date		
Parent 3D model		Ed . Version 3D		Released		12/11/2021		Designation		
Sheet 3 / 3										
1839007671-01										

1			25/02/2022	User Agent
Ed	Position	Modified from	Date	Intr./Appd.