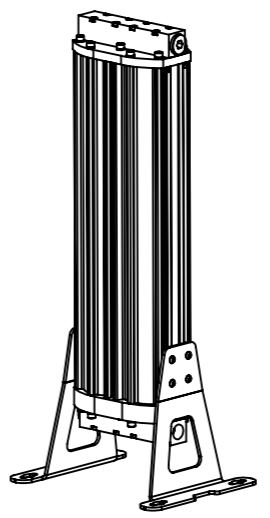
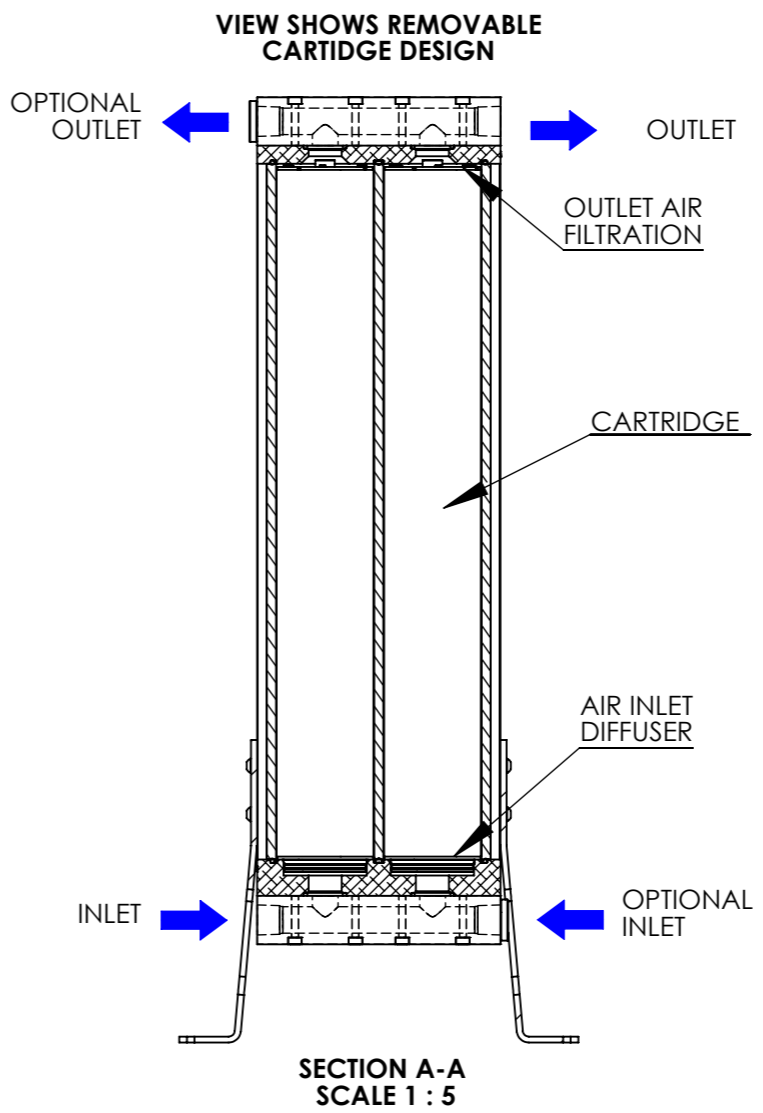
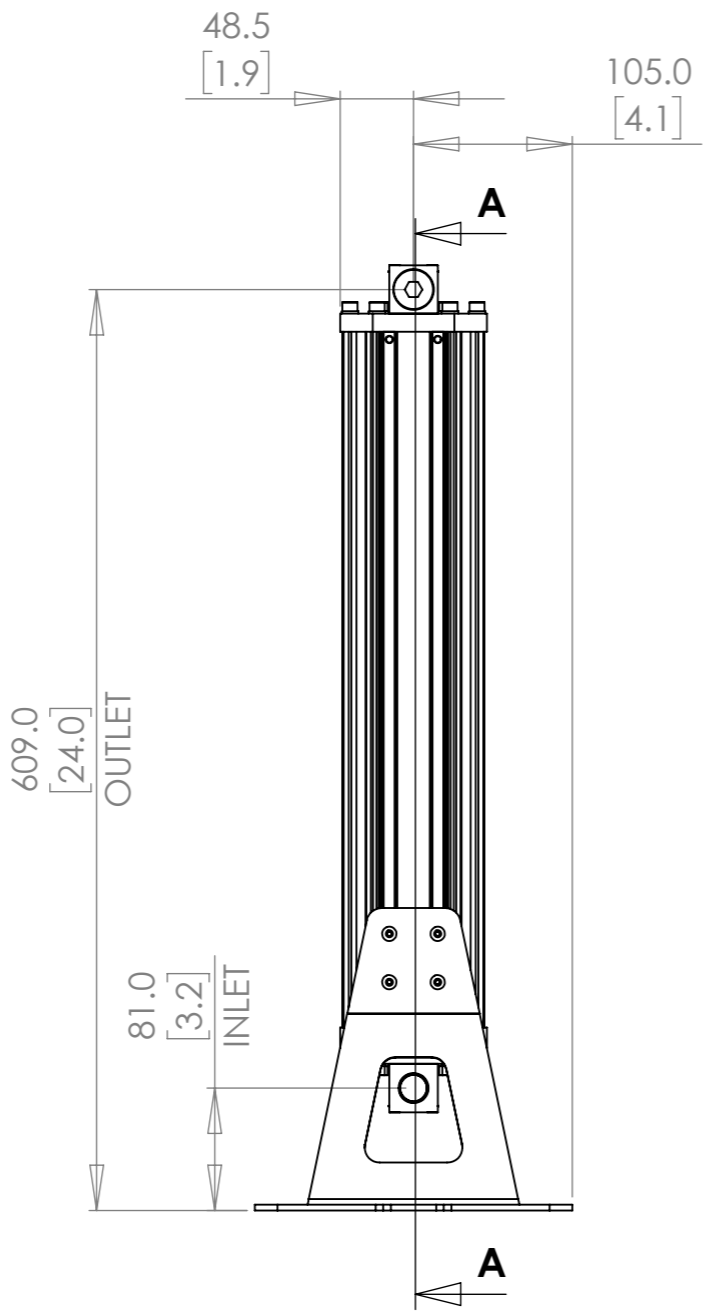
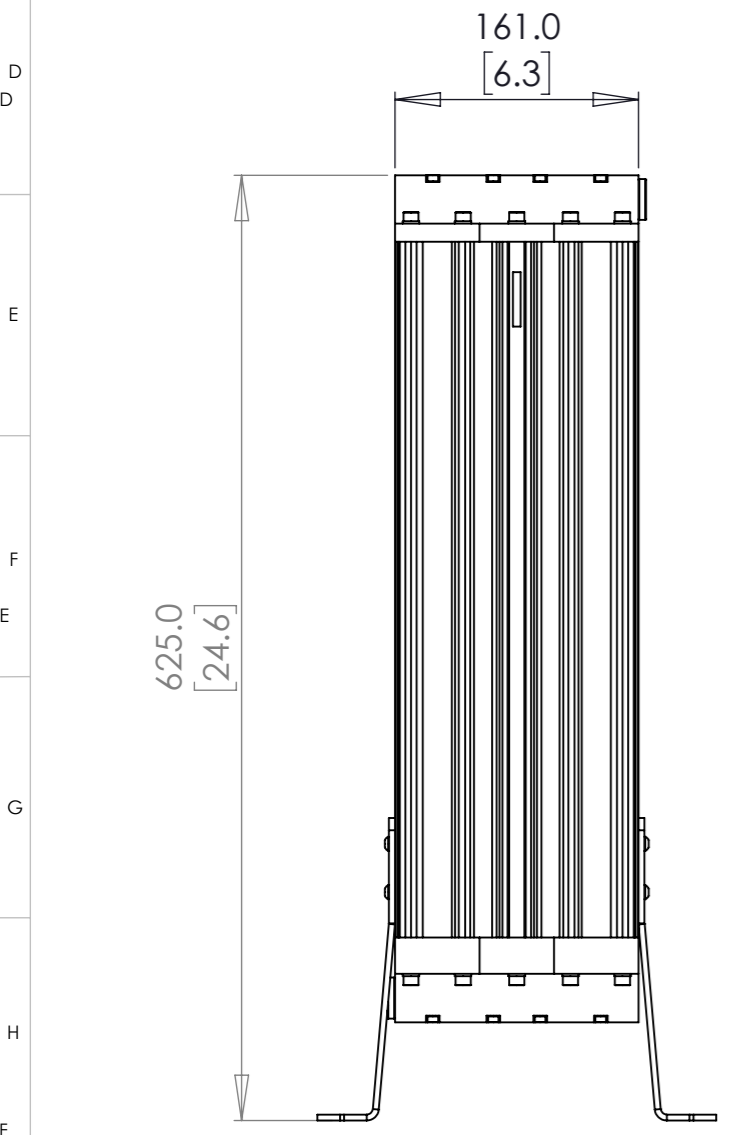


PRODUCT CODE	MAXIMUM FLOW RATE scfm (M <sup>3</sup> /Hr)*	INLET / OUTLET CONNECTIONS
NVR-040	40 (68)	1/2" BSPP / NPT
* AT INLET CONDITIONS OF 7 BARG & 35°C, 35°C AMBIENT		



PICTORIAL VIEW  
NVR-040



REVISIONS		
REV.	DESCRIPTION	DATE
C-00	INITIAL REVISION	01/03/2022

**SPECIFICATION:**

**INLET CONDITIONS**

- RECOMMENDED PRESSURE:**  
7 bar / 100 psig  
(MAXIMUM 16 bar / 232 psig)
- RECOMMENDED TEMPERATURE:**  
2°C (36°F) TO 35°C (95°F)
- MAXIMUM TEMPERATURE:**  
50°C (122°F)

**INLET AIR QUALITY**

(ACCORDING TO ISO 8573.1 QUALITY)

- DIRT** <0.01 micron
- MAXIMUM PRESURE DEW-POINT:**  
-40°C (-40°F)
- MAXIMUM OIL CONTENT:** 0.05 mg/m<sup>3</sup>

**OUTLET AIR QUALITY**

- FREE FROM ODOURS
- DIRT:** <1 micron
- OIL:** <0.003mg/m<sup>3</sup> (ppm)

**USE OF REPLACEMENT CARTRIDGES**


REPLACE EVERY 1 YEAR OR 8,000 HOURS  
WHICHEVER OCCURS FIRST

**GENERAL NOTES**

- HIGH TENSILE ALUMINIUM POWDER PAINTED HOUSING
- FEET BRACKETS SUPPLIED

GENERAL TOLERANCES UNLESS OTHERWISE STATED:  
X ± 0.5mm | X.X ± 0.25mm | X.XX ± 0.1mm  
ANGLES ± 0.5°

	DRAWN	CHECKED	APPROVED
NAME	CK	IC	IC
DATE	25/2/22	25/2/22	25/2/22

nano-purification solutions limited   
www.n-psi.co.uk

© NANO-PURIFICATION SOLUTIONS LTD 2022  
THE ORIGINAL OF THIS DRAWING IS COPYRIGHT AND CONTAINS CONFIDENTIAL INFORMATION.  
IT IS THE PROPERTY OF NANO PURIFICATION SOLUTIONS LTD WITHOUT WHOSE PERMISSION IT MAY NOT  
BE COPIED, SHOWN OR HANDED TO A THIRD PARTY OR OTHERWISE USED AND IT IS TO BE RETURNED  
PROMPTLY UPON REQUEST TO NANO PURIFICATION SOLUTIONS LTD.

MATERIAL:	SEE DETAILS	WEIGHT (KG):	12
FINISH:	SEE DETAILS		

TITLE: SERIES 1 OIL VAPOUR REMOVAL MODULE

DWG NO. PD-0059	REVISION: C-00
<small>nano model ref: 49-100-0040_49-110-0040</small>	

SCALE - 1:5		SHEET 1 OF 1	SHEET SIZE A3
DO NOT SCALE DRAWING			