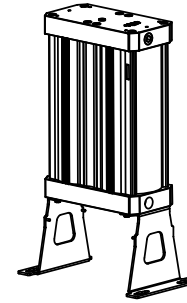
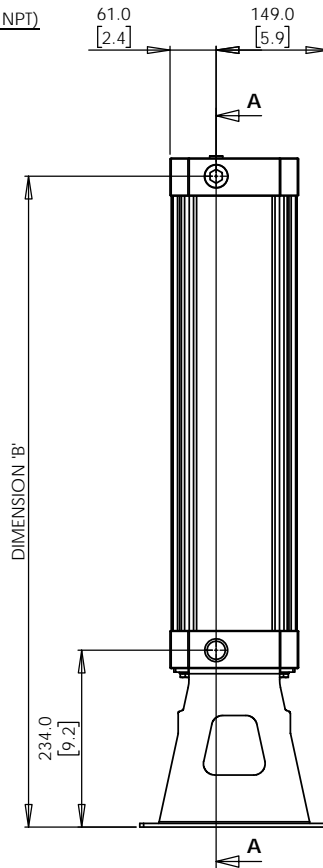
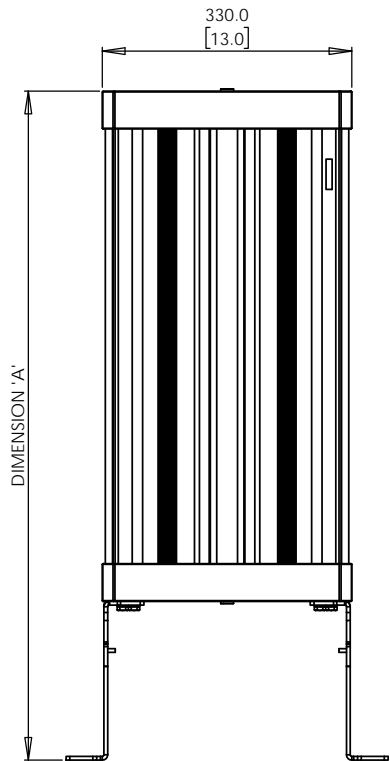
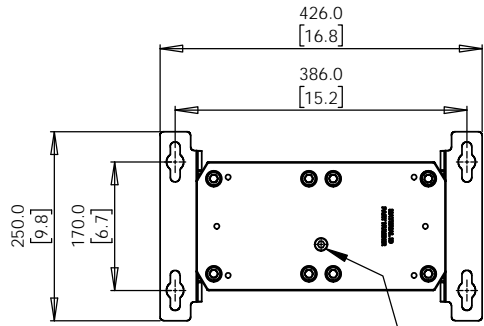
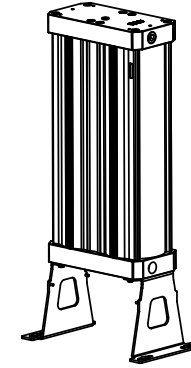


PRODUCT CODE	MAXIMUM FLOW RATE scfm (M ³ /Hr)*	INLET / OUTLET CONNECTIONS	DIMENSION 'A' mm (INCHES)	DIMENSION 'B' mm (INCHES)	APPROX WEIGHT lbs (kg)
NVR-0185	185 (314)	1" BSPP / NPT	705 (27.8)	681 (26.8)	85 (38.5)
NVR-0370	370 (628)	1" BSPP / NPT	885 (34.6)	861 (33.9)	109 (49.5)

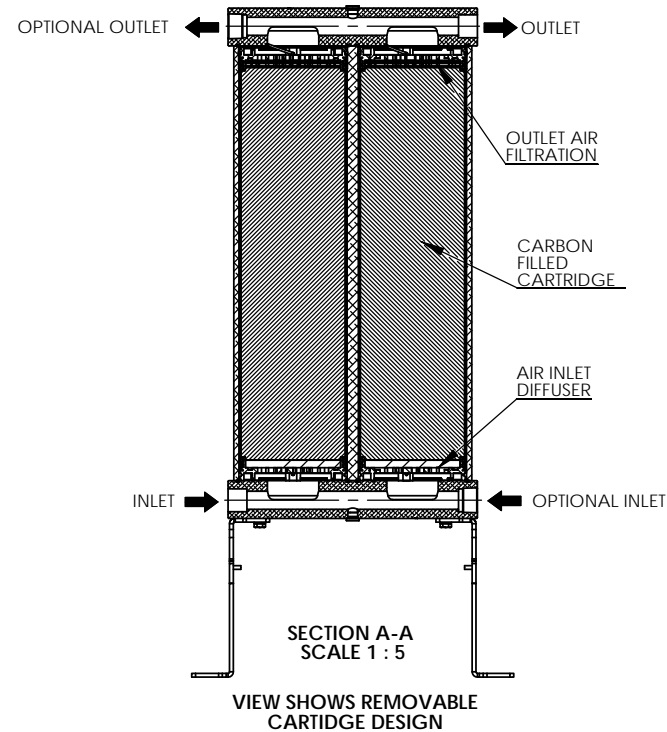
* AT INLET CONDITIONS OF 7 BARG & 35 °C, 35 °C AMBIENT



PICTORIAL VIEW
NVR-0185



PICTORIAL VIEW
NVR-0370



REVISIONS		
REV.	DESCRIPTION	DATE APPROVED
C-01	DIMENSION UPDATE	22/06/20 16
C-02		17/10/20 16
C-03		26/10/20 16
C-04	PRODUCT ARCHITECTURE UPDATE	22/10/20 20

SPECIFICATION:

INLET CONDITIONS

- RECOMMENDED PRESSURE:
7 bar / 100 psig
(MAXIMUM 16 bar / 232 psig)
- RECOMMENDED TEMPERATURE:
2 °C (36 °F) TO 35 °C (95 °F)
- MAXIMUM TEMPERATURE:
50 °C (122 °F)

INLET AIR QUALITY

(ACCORDING TO ISO 8573:1 QUALITY)

- DIRT <0.01 micron
- MAXIMUM PRESURE DEW-POINT:
-40 °C (-40 °F)
- MAXIMUM OIL CONTENT: 0.05 mg/m³

OUTLET AIR QUALITY

- FREE FROM ODOURS
- DIRT: <1 micron
- OIL: <0.003mg/m³ (ppm)

USE OF REPLACEMENT CARTRIDGES

REPLACE EVERY 1 YEAR OR 8,000 HOURS
WHICHEVER OCCURS FIRST

GENERAL NOTES

- HIGH TENSILE ALUMINIUM POWDER PAINTED HOUSING
- FEET BRACKETS SUPPLIED

GENERAL TOLERANCES UNLESS OTHERWISE STATED:
X, Z, D: 0.1mm | Y, X, Z: 0.25mm | X, YX: 0.1mm
ANGLES ± 0.5°

DRAWN	CHECKED	APPROVED
IC	ME	ME
DATE	10.06.16	10.06.16

nano-purification solutions limited
www.n-psi.co.uk

© nano-purification solutions LTD 2016.
THE DESIGN OR NOT DESIGNING OF COMPONENTS AND CONTAINING COMPONENTS INFORMATION.
IT IS THE PROPERTY OF NANO-PURIFICATION SOLUTIONS LTD WITHOUT WHICH PERMISSION IT MAY NOT
BE REPRODUCED OR TRANSMITTED IN ANY FORM OR BY ANY MEANS, ELECTRONIC OR MECHANICAL, INCLUDING PHOTOCOPYING, RECORDING, OR BY ANY INFORMATION STORAGE AND RETRIEVAL SYSTEM.

MATERIAL	WEIGHT (KG)	SEE TABLE
ASSY		
FINISH: SEE NOTES		

TITLE: SERIES 2
OIL VAPOUR REMOVAL MODULE

DWG NO. PD-0057	REVISION: C-04
SCALE: 1:10	SHEET 1
DO NOT SCALE DRAWING	SHEET SIZE A2