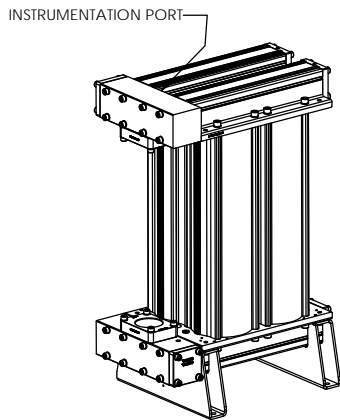
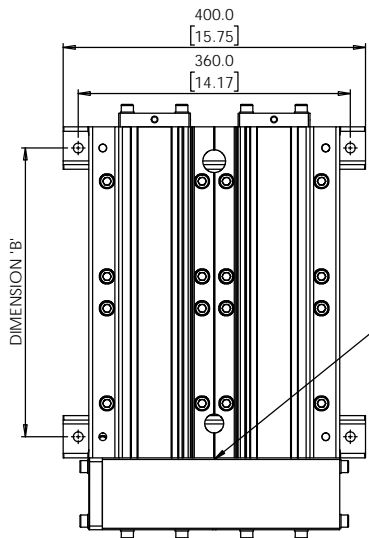
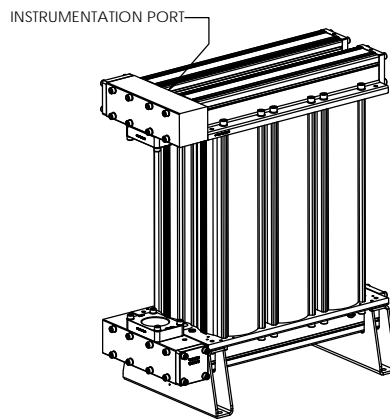


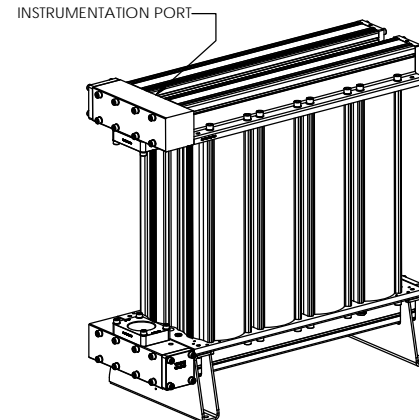
PRODUCT CODE	MAXIMUM FLOW RATE scfm (M ³ /Hr)	INLET OUTLET CONNECTION	DIMENSION 'A' mm (INCHES)	DIMENSION 'B' mm (INCHES)	APPROX WEIGHT lbs (kg)
NVR-0750	750 (1274)	2.5" BSPP / NPT	574.2 (22.6)	382 (14.84)	227 (103)
NVR-1100	1100 (1868)	2.5" BSPP / NPT	742.2 (29.2)	550 (21.45)	313 (142)
NVR-1500	1500 (2549)	2.5" BSPP / NPT	910.2 (35.8)	718 (28.07)	397 (180)



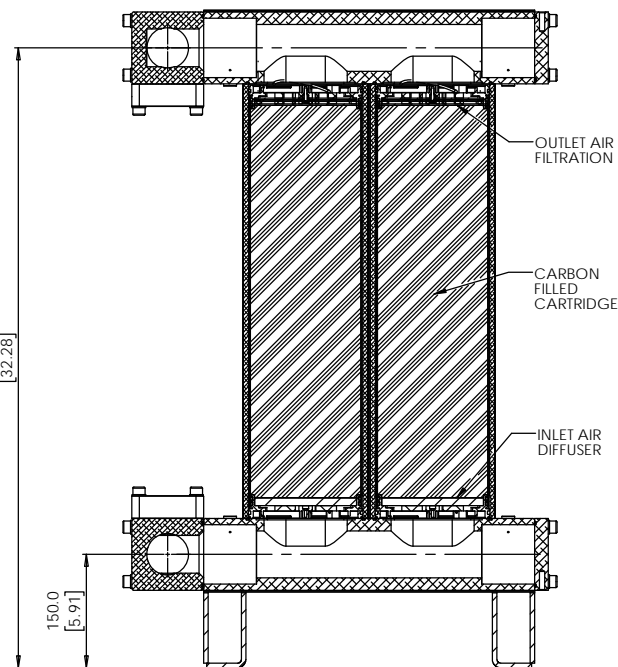
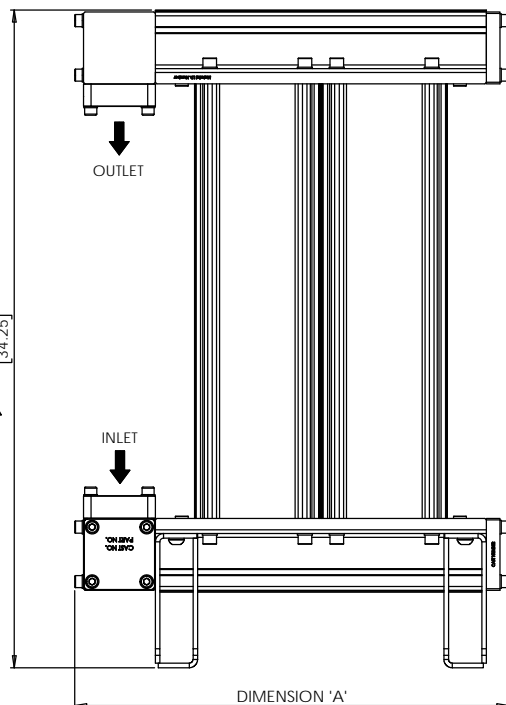
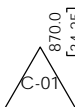
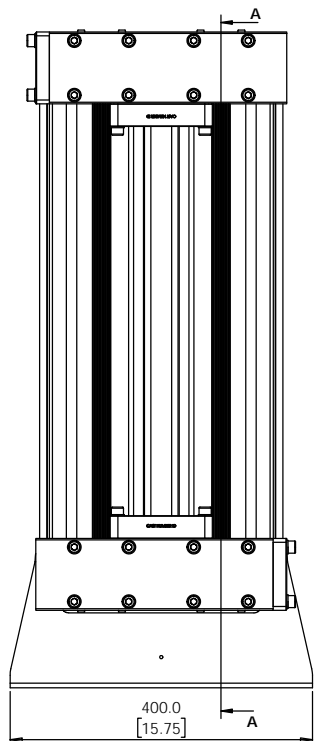
PICTORIAL VIEW
NVR-0750



PICTORIAL VIEW
NVR-1100



PICTORIAL VIEW
NVR-1500



VIEW SHOWS REMOVABLE CARTRIDGE DESIGN

SECTION A-A

REVISIONS			
REV.	DESCRIPTION	DATE	APPROVED
C-00	INITIAL ISSUE	10/06/20	ME
C-01	DIMENSION UPDATE	22/06/20	ME
C-02		26/10/20	
C-03		15/02/20	
C-04	TABLE UPDATE - CONNECTION FLANGE	14/04/20	

SPECIFICATION:

INLET CONDITIONS

- PRESSURE: 7 bar / 100 psig (MAXIMUM 12 bar / 174 psig)
- TEMPERATURE: 50 °C / 122 °F MAXIMUM (1 °C / 34 °F MINIMUM)

INLET AIR QUALITY (ACCORDING TO ISO 8573.1 QUALITY)

- DIRT <0.5 micron CLASS 2
- HUMIDITY -70 °C to +3 °C / -94 °F to +37 °F
- INLET OIL CHALLENGE 0.05 mg/m³

OUTLET AIR QUALITY

- FREE FROM ODOURS
- DIRT <0.5 microns CLASS 2
- OIL <0.01mg/m³ CLASS 1

USE OF REPLACEMENT CARTRIDGES

- REPLACE EVERY 1 YEAR OR 8,000 HOURS, WHICHEVER OCCURS FIRST

GENERAL NOTES

- HIGH TENSILE ALUMINIUM POWDER PAINTED HOUSING
- TEST PRESSURE 17.2 barg / 250 psig
- BURST PRESSURE >60 barg / 870 psig (5 x MWP)
- FEET BRACKETS SUPPLIED

GENERAL TOLERANCES UNLESS OTHERWISE STATED:
X, Y, Z: ±0.1mm | X, Y, Z: ±0.25mm | X, Y, Z: ±0.1mm
ANGLES ±0.5°

DRAWN	CHECKED	APPROVED
IC	ME	ME
DATE	09-06-16	09-06-16

nano-purification solutions limited
www.n-psi.co.uk

© NANOPURIFICATION SOLUTIONS LTD 2016.
THE DESIGN OR NOT DESIGNING IS CONFIDENTIAL AND CONTAINS PROPRIETARY INFORMATION.
IT IS THE PROPERTY OF NANOPURIFICATION SOLUTIONS LTD WITHOUT WHICH PERMISSION IT MAY NOT
BE REPRODUCED OR TRANSMITTED IN ANY FORM OR BY ANY MEANS, ELECTRONIC OR MECHANICAL, INCLUDING PHOTOCOPYING, RECORDING, OR BY ANY INFORMATION STORAGE AND RETRIEVAL SYSTEM.

MATERIAL:	ASSEMBLY	WEIGHT (KG):	SEE TABLE
FINISH:	ASSEMBLY		

TITLE: OIL VAPOUR REMOVAL MODULE RANGE

DWG NO:	PD-0056	REVISION:	C-04
SCALE:	1:5	SHEET:	SHEET SIZE
DO NOT SCALE DRAWING		1 of 1	A2