

installation manual

SEP 2500 ST



1

Before starting assembly, please check contents are as follows:

- 2 white felt filter with black tube
- 4 STERLING filters
- 1 connecting yoke (large blue figure 8)
- 1 test bottle
- 4 metal retaining springs (460 mm)
- 2 1250 ST towers
- 2 lids (only one drilled)

service interval kit containing:

- molded plastic mount + screw
- printed card
- self-adhesive timestrip

fitting kit containing:

- 2 straight adaptor 15 mm x 1/2" BSP
- 2 blanking plugs - large
- 4 elbow 15 mm
- 1 assembled porting block
- 6 porting block small blanking plugs
- 4 all-thread screws (M5 x 102 mm)
- 8 sleeve nut ends (M5 x 9 x 20 mm)
- 3 stem adaptors
- 2 reducing bushing
- 1 t-piece
- 2 grab taps
- 2 black tube 200 mm x 15 mm dia
- 2 blue tube 265 mm x 15 mm dia

service indicator - assembly and attachment



i Insert the boss on the reverse of the mount (c) into the pre-drilled hole in the separator lid.

ii Peel backing from timestrip (a) and attach to the plastic card (b) within the dotted lines.

iii Flex the card, passing the ends through the slots on the top surface of the mount.

To activate, press firmly on the timestrip label at the point indicated.

After a few minutes, a red line will appear, to indicate 'time in service' up to 12 months.

A replacement card and timestrip will be supplied with each service kit.

general installation notes

• Please ensure a steady fall in the pipe run from the outlet point to the sanitary drain.

• When used in conjunction with timed solenoid drain, set drain "open" duration to minimum setting (1-2 seconds).

• When used in conjunction with motorized ball valve or high capacity drain (ie Drain-all®) a de-pressurization chamber must be installed between drain and Sepura unit.

• Never discharge condensate to a storm drain or to surface water; always connect to a sanitary drain or sewer.

• Remember that it's the user's responsibility to check with the local authority as to the permissible discharges in their area.

testing quality

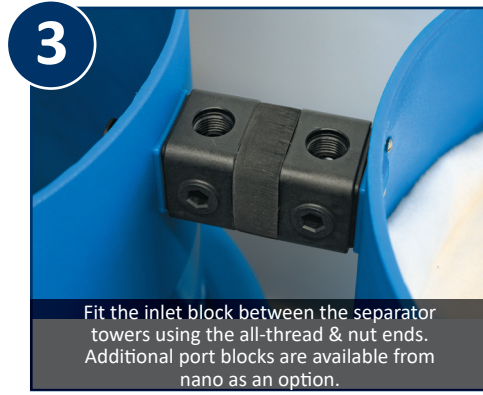
Replace filters before outlet cloudiness exceeds the ppm limit for your region.

Test outlet quality weekly using kit provided.

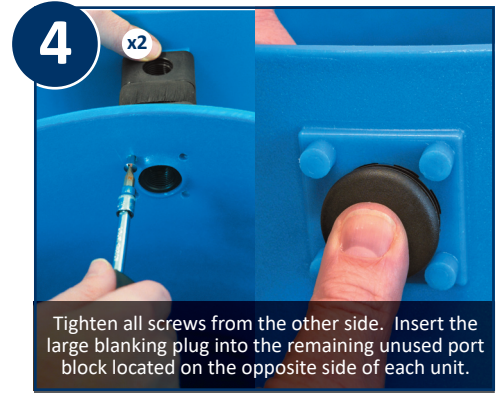




Slide the connecting "yolk" over both units.



Fit the inlet block between the separator towers using the all-thread & nut ends. Additional port blocks are available from nano as an option.



Tighten all screws from the other side. Insert the large blanking plug into the remaining unused port block located on the opposite side of each unit.



Lower the filter bag 1 into the separator body, settling it down gently, and ensuring it is in contact with the side wall.



Lower the filter bag 2 into the separator body, settling it down gently on top of filter bag 1.



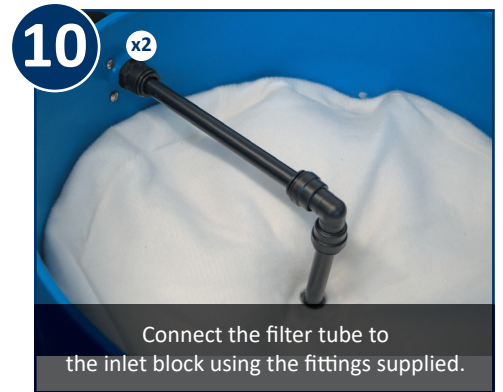
Install the securing spring clips at 90 degrees directly in contact with the filter bags to prevent floatation.



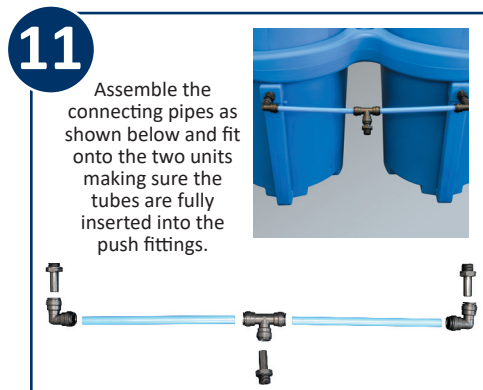
Insert the remaining filter (the one in the needle-felt bag) with the connecting tube uppermost.



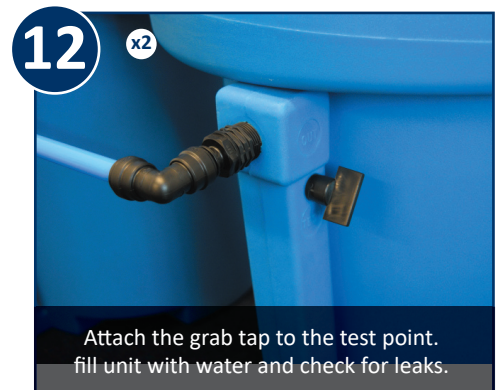
Screw the inlet connector (reducing bushing) into place tightly.



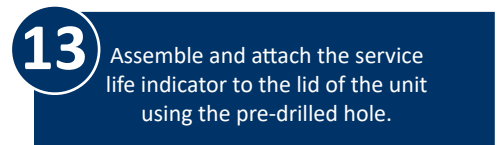
Connect the filter tube to the inlet block using the fittings supplied.



Assemble the connecting pipes as shown below and fit onto the two units making sure the tubes are fully inserted into the push fittings.



Attach the grab tap to the test point. fill unit with water and check for leaks.



Assemble and attach the service life indicator to the lid of the unit using the pre-drilled hole.

