

# nano

Code / Codice / Code / Kode / Código

**9828093603 00**

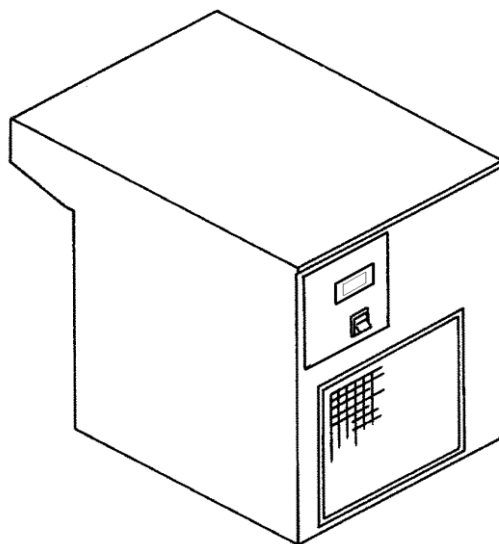
Edition / Edizione / Edition /  
Ausgabe / Edición

**02/2022**

SPARES PARTS LIST  
CATALOGO RICAMBI  
CATALOGUE PIECES DETACHEES  
ERSATZTEILKATALOG  
CATÁLOGO DE PIEZAS DE RECAMBIO

**DRX0010N - DRX0022E (E0) - DRX0015N - DRX0022E (E1) - DRX0020N -  
DRX0050E (E2) - DRX0030N - DRX0072E (E3) - DRX0108E (E4)**

AIR DRYER  
ESSICCATORE D'ARIA  
SECHEUR D'AIR  
LUFTTROKNER  
SECADOR DE AIRE



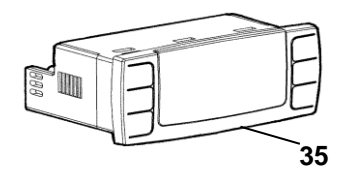
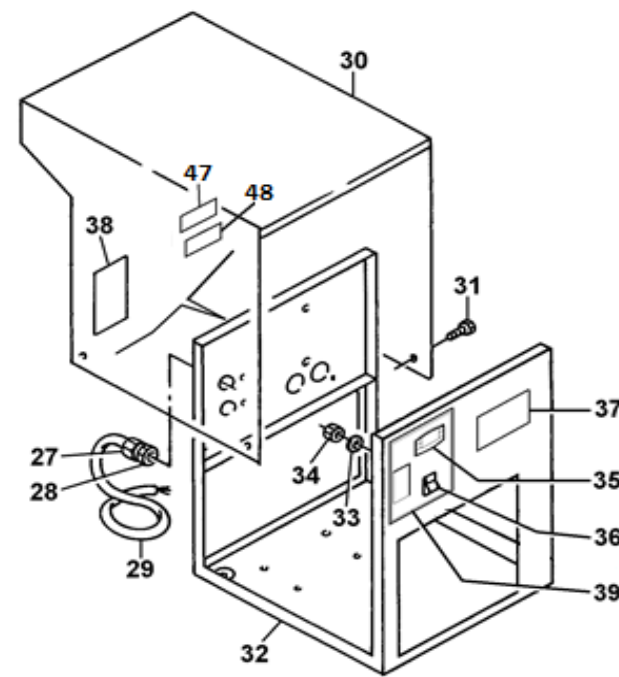
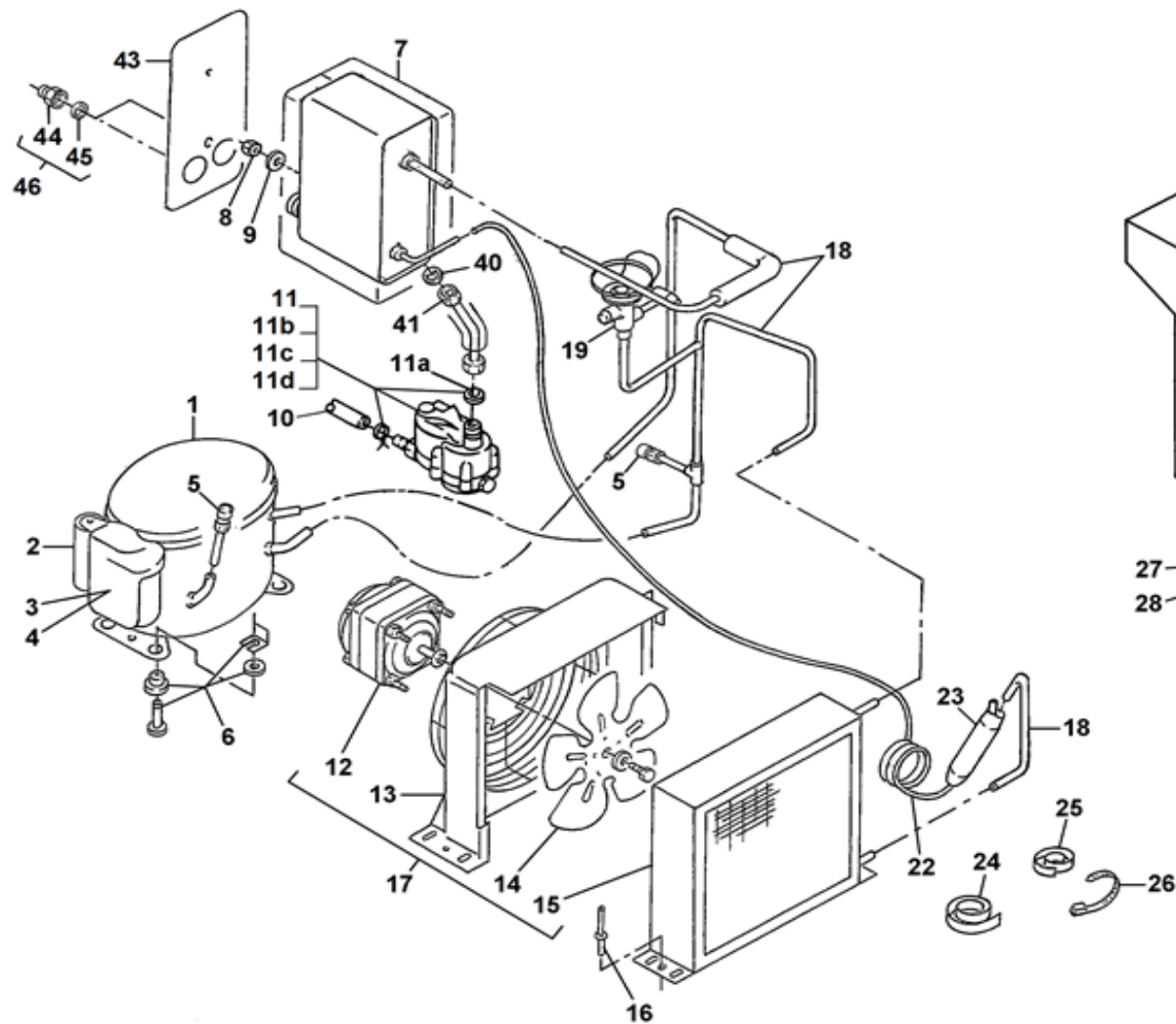
SPARES PARTS LIST  
 CATALOGO RICAMBI  
 CATALOGUE PIECES DETACHEES  
 ERSATZTEILKATALOG  
 CATÁLOGO DE PIEZAS DE RECAMBIO

**DRX0010N - DRX0022E (E0) - DRX0015N - DRX0022E (E1) - DRX0020N - DRX0050E (E2) -  
 DRX0030N - DRX0072E (E3) - DRX0108E (E4)**

AIR DRYER  
 ESSICCATORE D'ARIA  
 SECHEURS D'AIR  
 LUFTTROKNER  
 SECADOR DE AIRE

Type / Tipo / Type / Typ / Tipo	Code / Codice / Code / Kode / Codigo	V. Dryer / Essiccatore / Secheur / Trockner / Secador
<b>DRX0022E (E0)</b>	4102006015	230/1/50 (CE)
	4102006020	230/1/60 (CE)
<b>DRX0036E (E1)</b>	4102006016	230/1/50 (CE)
	4102006021	230/1/60 (CE)
<b>DRX0050E (E2)</b>	4102006017	230/1/50 (CE)
	4102006022	230/1/60 (CE)
<b>DRX0072E (E3)</b>	4102006018	230/1/50 (CE)
	4102006023	230/1/60 (CE)
<b>DRX0108E (E4)</b>	4102006019	230/1/50 (CE)
	4102006024	230/1/60 (CE)

Type / Tipo / Type / Typ / Tipo	Code / Codice / Code / Kode / Codigo	V. Dryer / Essiccatore / Secheur / Trockner / Secador
<b>DRX0010N (E0)</b>	4102006025	230/1/60 (cULus)
	4102006010	115/1/60 (cULus)
<b>DRX0015N (E1)</b>	4102006026	230/1/60 (cULus)
	4102006011	115/1/60 (cULus)
<b>DRX0020N (E2)</b>	4102006027	230/1/60 (cULus)
	4102006012	115/1/60 (cULus)
<b>DRX0030N (E3)</b>	4102006028	230/1/60 (cULus)
	4102006013	115/1/60 (cULus)



TAB. 1

TAB. 1			Q.ty - Q.tà - Q.te - Anz. - Cant.												Air dryer - Essiccatore d'aria - Secheur d'air - Lufttrockner - Secador de aire
			DRX0022E (E0)		DRX0036E (E1)		DRX0050E (E2)		DRX0072E (E3)		DRX0108E (E4)		DESCRIPTION - DESCRIZIONE - DESIGNATION - BESCHREIBUNG - DESIGNACION		
Ref. No. Rif. N. Nr. Réf. Bild Nr. Def. N.	Part. num. N. ordinaz. Nr. Pièce Teil num. Codigo	Note-Nota-Note-Ann.-Nota	4102006015	4102006020	4102006016	4102006021	4102006017	4102006022	4102006018	4102006023	4102006019	4102006024			
1	1624912310		1											COMPRESSOR	
1	1624912306				1				1					COMPRESSOR	
1	1624912303			1		1								COMPRESSOR	
1	1624912316							1						COMPRESSOR	
1	1624912317								1					COMPRESSOR	
1	1624912315									1				COMPRESSOR	
1	2204200215										1			COMPRESSOR	
1	2204200225											1		COMPRESSOR	
2	1617154917		1	1		1	1							STAR CAPACITOR	
2	1617154921									1				STAR CAPACITOR	
2	1617154922									1				STAR CAPACITOR	
2	2204200218										1			STAR CAPACITOR	
2	2204200228											1		STAR CAPACITOR	
3	1617155167		1											START RELAY	
3	1617155166									1				START RELAY	
3	2204200217										1			START RELAY	
3	2204200227											1		START RELAY	
3	1617155158				1								1	START RELAY	
3	1617155160			1		1								START RELAY	
3	1617155168							1						START RELAY	
3	1617155169								1					START RELAY	
3	1617155162													START RELAY	
4	1617155077									1				OVERLOAD PROTECTOR	
4	1617155079									1				OVERLOAD PROTECTOR	
4	2204200216										1			OVERLOAD PROTECTOR	
4	2204200226											1		OVERLOAD PROTECTOR	
4	1617155080		1											OVERLOAD PROTECTOR	
4	1617155071				1							1		OVERLOAD PROTECTOR	
4	1617155073			1		1								OVERLOAD PROTECTOR	
4	1617155082							1						OVERLOAD PROTECTOR	
5	2200599743		1	1		1	1		1	1		1	1	CHECK VALVE+PIPE	
-	2202851600		1	1		1	1		1	1		1	1	SCHRADER VALVE	
-	2204163802		1	1		1	1		1	1		1	1	PIN	
6	2200902681		1	1		1	1		1	1		1	1	SNUP-ON	
7	2202892281		1	1										EXCHANGER	
7	2202892282				1	1								EXCHANGER	
7	2202892283							1	1					EXCHANGER	
7	2202892284									1	1			EXCHANGER	
7	2202892286											1	1	EXCHANGER	
8	0266210800		2	2		2	2		2	2		2	2	NUT	
9	0300027464		2	2		2	2		2	2		2	2	WASHER	
10	0070600290		X	X		X	X		X	X		X	X	PLASTIC TUBE	
11	2204213441		1	1		1	1		1	1		1	1	LDI DRAIN	
11a	0663909600		1	1		1	1		1	1		1	1	O-RING	
11b	2200902017		1	1		1	1		1	1		1	1	DRAIN WEAR KIT (CHANGE THE KIT EVERY 4000 HOURS)	
11c	2902016102		1	1		1	1		1	1		1	1	FILTER MESH (CHANGE THE FILTER EVERY 2000 HOURS)	
11d	1630204331		1	1		1	1		1	1		1	1	FLOATER	

TAB. 1		Q.ty - Q.tà - Q.te - Anz. - Cant.												Air dryer - Essiccatore d'aria - Secheur d'air - Lufttrockner - Secador de aire
		DRX0022E (E0)		DRX0036E (E1)		DRX0050E (E2)		DRX0072E (E3)		DRX0108E (E4)				
Ref. No. Rif. N. Nr. Réf. Bild Nr. Def. N.	Part. num. N. ordinaz. Nr. Pièce Teil num. Codigo	Note-Nota-Note-Ann.-Nota	4102006015	4102006020	4102006016	4102006021	4102006017	4102006022	4102006018	4102006023	4102006019	4102006024		DESCRIPTION - DESCRIZIONE - DESIGNATION - BESCHREIBUNG - DESIGNACION
12	2202762201		1		1		1		1		1			FAN MOTOR
12	2202762202		1		1		1		1		1			FAN MOTOR
13	2202762101		1	1	1	1	1							PROTECTION
13	2202762103								1	1		1	1	PROTECTION
14	2202762301		1	1	1	1	1							FAN
14	2202762302								1	1		1	1	FAN
15	2202762001		1	1	1	1								CONDENSER COIL
15	2202762002							1	1					CONDENSER COIL
15	2202762003								1	1				CONDENSER COIL
15	2202762004										1	1		CONDENSER COIL
16	0129327042		2	2	2	2	2	2	2	2	2	2		BLIND RIVET
17	2202749881		1		1									ASS. CONDENSER
17	2202749882			1	1									ASS. CONDENSER
17	2202749884						1							ASS. CONDENSER
17	2202749885							1						ASS. CONDENSER
17	2202751282								1					ASS. CONDENSER
17	2202751281								1					ASS. CONDENSER
17	2202751289										1			ASS. CONDENSER
17	2202751285											1		ASS. CONDENSER
18	2202888581		1	1	1	1	1	1						ASS. PIPE
18	2202909181								1	1				ASS. PIPE
18	2203017880										1			ASS. PIPE
18	2203017880											1		ASS. PIPE
19	2202732404		1	1	1	1	1	1	1	1	1	1		BY-PASS VALVE
22	2202758401		1	1										CAPILLARY TUBE
22	2202758402				1	1								CAPILLARY TUBE
22	2202758403						1	1						CAPILLARY TUBE
22	2202758404								1	1				CAPILLARY TUBE
22	2202758405										1			CAPILLARY TUBE
22	2202758406											1		CAPILLARY TUBE
23	2202756902		1	1	1	1	1	1						FILTER-DRYER
23	2202756904								1	1		1	1	FILTER-DRYER
24	2202758701		X	X	X	X	X	X	X	X	X	X		TAPE (IN METERS)
25	0017986267		X	X	X	X	X	X	X	X	X	X		TAPE (IN METERS)
26	0348010120		6	6	6	6	8	8	8	8	8	8		CABLE TIE
27	0698514085		1	1	1	1	1	1	1	1	1	1		CABLE GLAND
28	0697980953		1	1	1	1	1	1	1	1	1	1		NUT
29	2205023791		1	1	1	1	1	1						WIRE
29	2205023911								1	1		1	1	WIRE
30	2202749613		1	1	1	1	1	1	1	1	1	1		COVER
31	2200719953		8	8	8	8	8	8	8	8	8	8		SCREW
32	2203024888		1	1	1	1	1	1						PANEL BASE ASSY
32	2202975889								1	1		1	1	PANEL BASE ASSY
33	0333422000		2	2	2	2	2	2	2	2	2	2		WASHER
34	0266210800		1	1	1	1	1	1	1	1	1	1		NUT





TAB. 1		Q.ty - Q.tà - Q.te - Anz. - Cant.														Air dryer - Essiccatore d'aria - Secheur d'air - Lufttrockner - Secador de aire			
		DRX0010N (E0)		DRX0015N (E1)		DRX0020N (E2)		DRX0030N (E3)											
Ref. No. Rif. N. Nr. Réf. Bild Nr. D.-E. N.	Part. num. N. ordinaz. Nr. Pièce Teil num. Codigo	Note-Nota- Anm.-Nota	4102006025	4102006010	4102006026	4102006011	4102006027	4102006012	4102006028	4102006013									DESCRIPTION - DESCRIZIONE - DESIGNATION - BESCHREIBUNG - DESIGNACION
15	2202762001		1	1	1	1													CONDENSER COIL
15	2202762002						1	1											CONDENSER COIL
15	2202762003								1	1									CONDENSER COIL
16	0129327042		2	2	2	2	2	2	2	2									BLIND RIVET
17	2202749882		1		1														ASS. CONDENSER
17	2202749883			1	1														ASS. CONDENSER
17	2202749885						1												ASS. CONDENSER
17	2202749886							1											ASS. CONDENSER
17	2202751282								1										ASS. CONDENSER
17	2202751283									1									ASS. CONDENSER
18	2202888581		1	1	1	1	1	1											ASS. PIPE
18	2202909181								1	1									ASS. PIPE
19	2202732404		1	1	1	1	1	1	1	1									BY-PASS VALVE
22	2202758401		1	1															CAPILLARY TUBE
22	2202758402				1	1													CAPILLARY TUBE
22	2202758403						1	1											CAPILLARY TUBE
22	2202758404								1	1									CAPILLARY TUBE
23	2202756902		1	1	1	1	1	1											FILTER-DRYER
23	2202756904								1	1									FILTER-DRYER
24	2202758701		X	X	X	X	X	X	X	X									TAPE (IN METERS)
25	0017986267		X	X	X	X	X	X	X	X									TAPE (IN METERS)
26	0348010120		6	6	6	6	8	8	8	8									CABLE TIE
27	9828443101		1		1		1		1										CABLE GLAND
27	0698514122			1		1		1		1									CABLE GLAND
28	0697980953		1		1		1		1										NUT
28	0697980954			1		1		1		1									NUT
29	9828443101		1		1		1												WIRE
29	9828443151			1		1		1											WIRE
29	2205044021									1									WIRE
29	2205044031										1								WIRE
30	2202749613		1	1	1	1	1	1	1	1									COVER
31	2200719953		8	8	8	8	8	8	8	8									SCREW
32	2203024888		1	1	1	1													PANEL BASE ASSY
32	2202975889						1	1	1	1									PANEL BASE ASSY
33	0333422000		2	2	2	2	2	2	2	2									WASHER
34	0266210800		1	1	1	1	1	1	1	1									NUT
35	2901370105		1		1		1												KIT DIGITAL CONTROLLER
35	2901370102			1		1		1											KIT DIGITAL CONTROLLER
35	2901370114									1									KIT DIGITAL CONTROLLER
35	2901370108										1								KIT DIGITAL CONTROLLER
36	1089949849		1	1	1	1	1	1	1	1									POWER SWITCH
-	1089949850		1	1	1	1	1	1	1	1									SWITCH HANDLE
37	2204252101		1	1	1	1	1	1	1	1									LABEL
38	1079992655		1	1	1	1	1	1	1	1									LABEL
39	2204252151		1	1	1	1	1	1	1	1									LABEL





