

NANO
Air treatment



VDR6350, VDR8450

DRAFT CATALOG (16/05/2022)

Parts List

nano

NANO

Air treatment

VDR6350, VDR8450

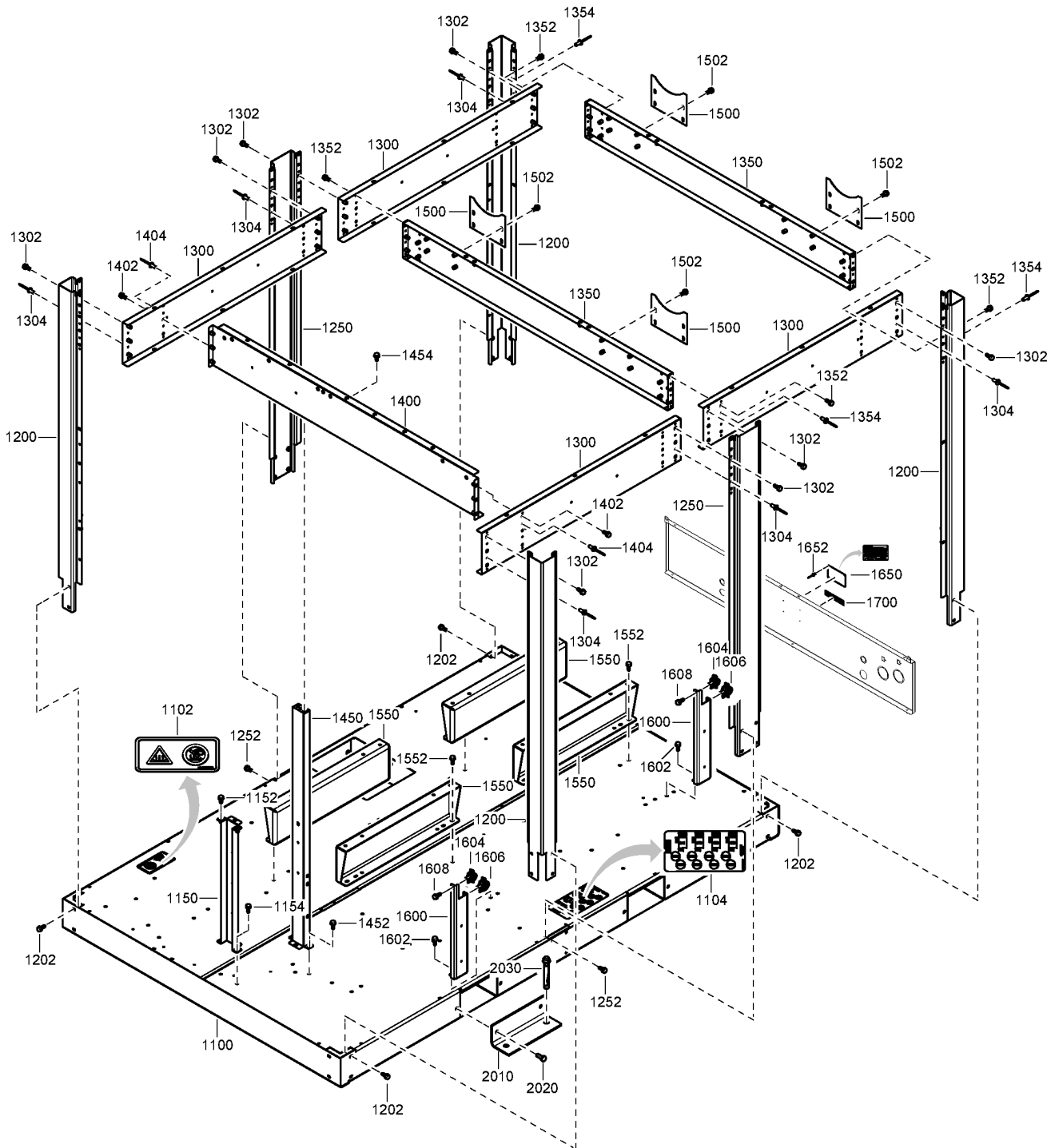
DRAFT CATALOG (16/05/2022)

Parts List

Edition: 5

• Copyright, Nano purification solutions, USA. Any unauthorized use or copying of the contents or any part thereof is prohibited. This applies in particular to trademarks, model denominations, part numbers and drawings. • Use only authorized parts. Any damage or malfunction caused by the use of unauthorized parts is not covered by Warranty or Product Liability.

1	Service Kits	2
2	Frame Assembly	4
3	Compressor & Heater	6
4	Separator	8
5	Heat Exchanger - VDR 6350.....	10
6	Heat Exchanger - VDR 8450.....	12
7	Piping Assembly - Aircooled - VDR 6350.....	14
8	Piping Assembly - Aircooled - VDR 8450.....	16
9	Piping Assembly - Watercooled - VDR 6350.....	18
10	Piping Assembly - Watercooled - VDR 8450.....	20
11	Condenser - Watercooled.....	22
12	Condenser - Aircooled.....	24
13	Regulation - Watercooled.....	26
14	Regulation - Aircooled.....	28
15	Bodywork - Aircooled - Nano.....	30
16	Bodywork - Watercooled - Nano.....	32
17	Marking - Nano.....	34
18	Electrical System.....	36
18.1	Control Panel.....	36
18.2	Cubicle Box - cULus - VDR 6350/ 8450.....	38
18.3	Cubicle Box - IEC - VDR 6350/ 8450.....	40
18.4	Electrical Components.....	42
18.5	Compressor Electrical System	44



1609 0000 62-1837 0083 61-1837 0115 25_01

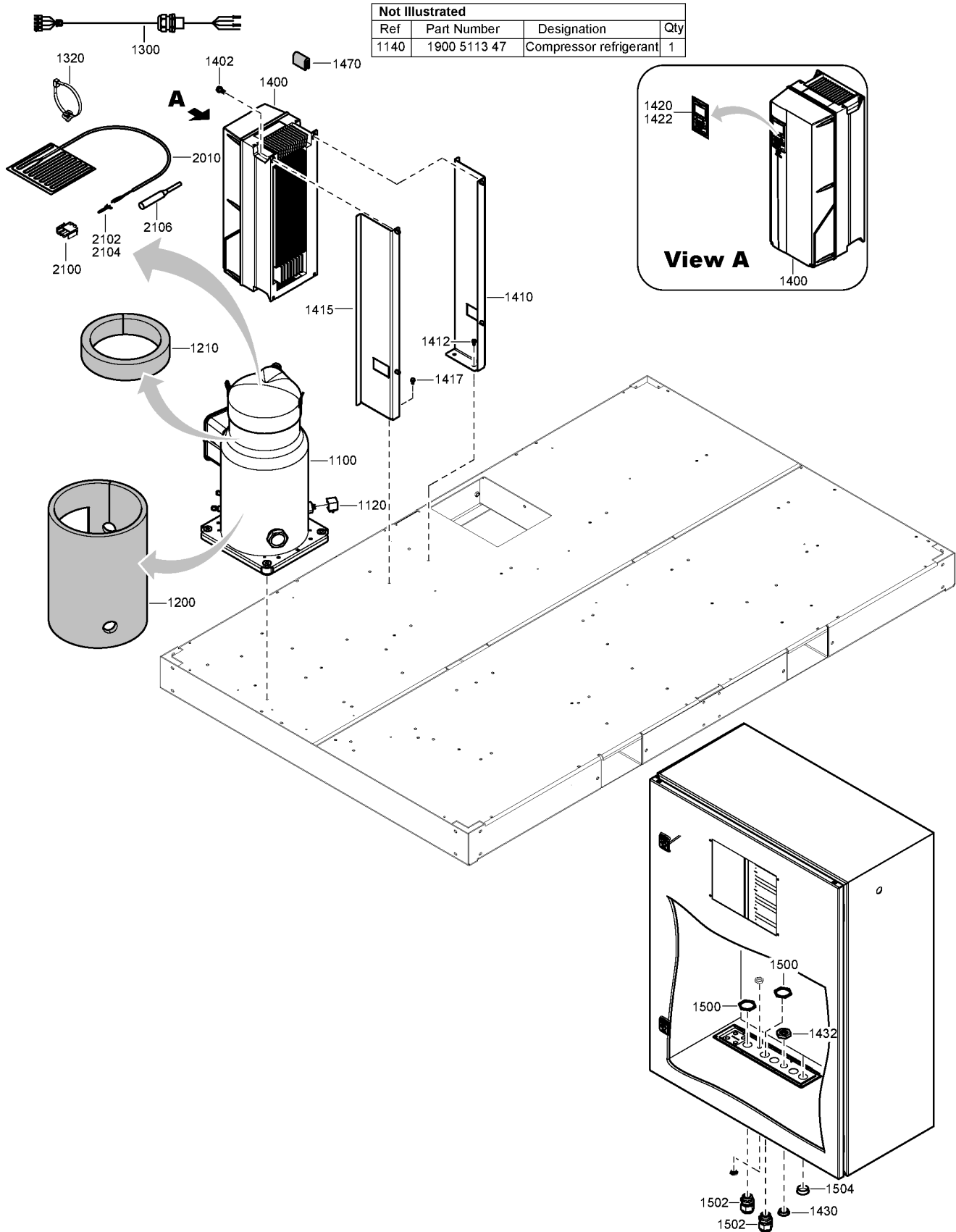
Ref	Part Number	Qty	Name	Validity
1100	1609 0014 22	1	FRAME ASSEMBLY	(31/12/2030 - ...)
1102	1617 9292 00	1	LABEL WARNING HIGH TEMP. BD'S	(31/12/2030 - ...)
1104	1629 1886 00	1	DECAL INSTRUCT.	(31/12/2030 - ...)
1150	1629 0807 00	1	SUPPORT	(31/12/2030 - ...)
1152	0147 1963 08	3	SCREW HEX. M8X25 WITH WASHER	(31/12/2030 - ...)
1154	1619 2766 00	3	SCR.BOLT M8X20	(31/12/2030 - ...)
1200	1830 0506 22	4	STAY	(31/12/2030 - ...) MODEL:VDR6350A1 , MODEL:VDR8450A1
1202	1619 2766 00	3	SCR.BOLT M8X20	(31/12/2030 - ...)
1250	1830 0506 13	2	SUPPORT	(31/12/2030 - ...) MODEL:VDR6350A1 , MODEL:VDR8450A1
1252	1619 2766 00	3	SCR.BOLT M8X20	(31/12/2030 - ...)
1300	1629 1823 00	4	PANEL	(31/12/2030 - ...)
1302	0147 1963 08	24	SCREW HEX. M8X25 WITH WASHER	(31/12/2030 - ...)
1304	0129 3121 00	32	RIVET	(31/12/2030 - ...)
1350	1629 1849 00	2	SUPPORT	(31/12/2030 - ...)
1352	0147 1963 08	10	SCREW HEX. M8X25 WITH WASHER	(31/12/2030 - ...)
1354	0129 3121 00	12	RIVET	(31/12/2030 - ...)
1400	1629 0851 00	1	BEAM	(31/12/2030 - ...)
1402	0147 1963 08	6	SCREW HEX. M8X25 WITH WASHER	(31/12/2030 - ...)
1404	0129 3121 00	8	RIVET	(31/12/2030 - ...)
1450	1627 6859 00	1	SUPPORT	(31/12/2030 - ...)
1452	1619 2766 00	3	SCR.BOLT M8X20	(31/12/2030 - ...)
1454	0147 1963 08	2	SCREW HEX. M8X25 WITH WASHER	(31/12/2030 - ...)
1500	1629 1850 00	4	SUPPORT	(31/12/2030 - ...)
1502	0147 1963 08	16	SCREW HEX. M8X25 WITH WASHER	(31/12/2030 - ...)
1550	1627 6870 00	4	BEAM	(31/12/2030 - ...)
1552	1619 2766 00	16	SCR.BOLT M8X20	(31/12/2030 - ...)
1600	1830 0037 95	2	SUPPORT	(31/12/2030 - ...)
1602	1619 2766 00	4	SCR.BOLT M8X20	(31/12/2030 - ...)
1604	1629 0861 02	2	CLAMP PIPE	(31/12/2030 - ...)
1606	1629 0861 03	2	CLAMP PIPE	(31/12/2030 - ...)
1608	1619 2766 00	4	SCR.BOLT M8X20	(31/12/2030 - ...)
1650	1830 0506 34	1	DATAPLATE	(31/12/2030 - ...) MODEL:VDR6350A1 , MODEL:VDR8450A1
1652	0129 3107 00	4	RIVET	(31/12/2030 - ...)
1700	1627 1828 00	1	DECAL WARNING	(31/12/2030 - ...)
2010	1617 2259 00	4	ANCHOR PLATE SPEC MD FD	(20/08/2021 - ...) APADS:Y
2020	0147 1363 03	8	SCREW HEXAGON	(20/08/2021 - ...) APADS:Y
2030	0226 9929 20	8	BOLT WEDGE	(20/08/2021 - ...) APADS:Y

Legend:

APADS:Y - Anchor pads:Yes

MODEL:VDR6350A1 - Model:VDR6350

MODEL:VDR8450A1 - Model:VDR8450



1609 0012 89-1609 0014 49-51-52-57-77-78_01

Ref	Part Number	Qty	Name	Validity
1100	1629 1707 00	1	COMPRESSOR REFRIGERANT	(31/12/2030 - ...)
1120	1629 0857 00	1	COIL	(31/12/2030 - ...)
1140	1900 5113 47	1	COMPRESSOR REFRIGERANT	(31/12/2030 - ...)
1200	1629 1854 00	1	INSULATION THERMAL	(31/12/2030 - ...)
1210	1629 1855 00	1	INSULATION THERMAL	(31/12/2030 - ...)
1300	1629 1877 00	1	WIRING	(31/12/2030 - ...)
1320	0348 0102 12	6	STRIP	(31/12/2030 - ...)
1400	1629 1708 00	1	CONVERTER	(31/12/2030 - ...)
1402	0147 1963 08	4	SCREW HEX. M8X25 WITH WASHER	(31/12/2030 - ...)
1410	1629 1826 00	1	SUPPORT	(31/12/2030 - ...)
1412	1619 2766 00	2	SCR.BOLT M8X20	(31/12/2030 - ...)
1415	1629 1827 00	1	SUPPORT	(31/12/2030 - ...)
1417	1619 2766 00	2	SCR.BOLT M8X20	(31/12/2030 - ...)
1420	1629 0858 00	1	CONTROL PANEL	(31/12/2030 - ...)
1422	1629 0859 00	1	SPACER	(31/12/2030 - ...)
1430	0697 9810 27	1	PLUG	(31/12/2030 - ...)
	↻ Substituted by:	0686 9252 84 - RUBBER PLUG (quantity: 1)		
1432	0697 9809 54	1	NUT LOCK	(31/12/2030 - ...)
1470	1619 2758 00	1	SEAL GASKET	(31/12/2030 - ...)
1500	0697 9809 57	2	NUT	(31/12/2030 - ...)
1502	0698 5141 26	2	CABLE GLAND	(31/12/2030 - ...)
1504	0697 9810 29	1	PLUG	(31/12/2030 - ...)
2010	1629 0805 00	1	HEATER COOLANT	(20/08/2021 - ...) FREQ:50HZ + MOVOL:400V-3PH , FREQ:60HZ + MOVOL:380V_3PH
2010	1629 1899 00	1	HEATER COOLANT	(20/08/2021 - ...) FREQ:60HZ + MOVOL:460V-3PH
2100	1088 0015 03	1	CONTACT	(20/08/2021 - ...) FREQ:50HZ + MOVOL:400V-3PH , FREQ:60HZ + (MOVOL:380V_3PH , MOVOL:460V-3PH)
2102	1088 0015 58	2	PIN	(20/08/2021 - ...) FREQ:50HZ + MOVOL:400V-3PH , FREQ:60HZ + (MOVOL:380V_3PH , MOVOL:460V-3PH)
2104	1088 0015 14	1	CONTACT	(20/08/2021 - ...) FREQ:50HZ + MOVOL:400V-3PH , FREQ:60HZ + (MOVOL:380V_3PH , MOVOL:460V-3PH)
2106	1088 1501 02	AR	SHRINK HOSE	(20/08/2021 - ...) FREQ:50HZ + MOVOL:400V-3PH , FREQ:60HZ + (MOVOL:380V_3PH , MOVOL:460V-3PH)
	1624 2708 00	AR	MATERIAL R410A	(31/12/2030 - 30/12/2040) MODEL:VDR8450A1 , MODEL:VDR6350A1 + (COOL:AIR , COOL:WATER) (31/12/2040 - ...) MODEL:VDR8450A1 , COOL:AIR + MODEL:VDR6350A1

Legend:

COOL:AIR - Cooling:Air cooled

FREQ:60HZ - Frequency:60 Hz

MOVOL:380V_3PH - Supply voltage:380 V (3 ph)

COOL:WATER - Cooling:Water cooled

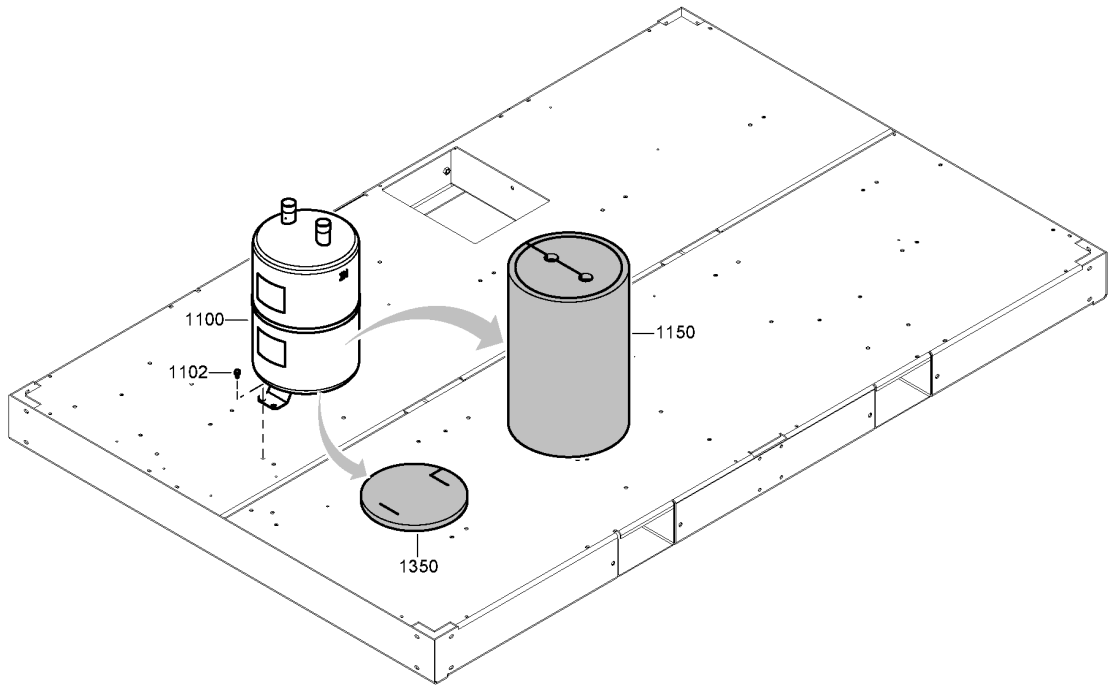
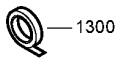
MODEL:VDR6350A1 - Model:VDR6350

MOVOL:400V-3PH - Supply voltage:400V

FREQ:50HZ - Frequency:50 Hz

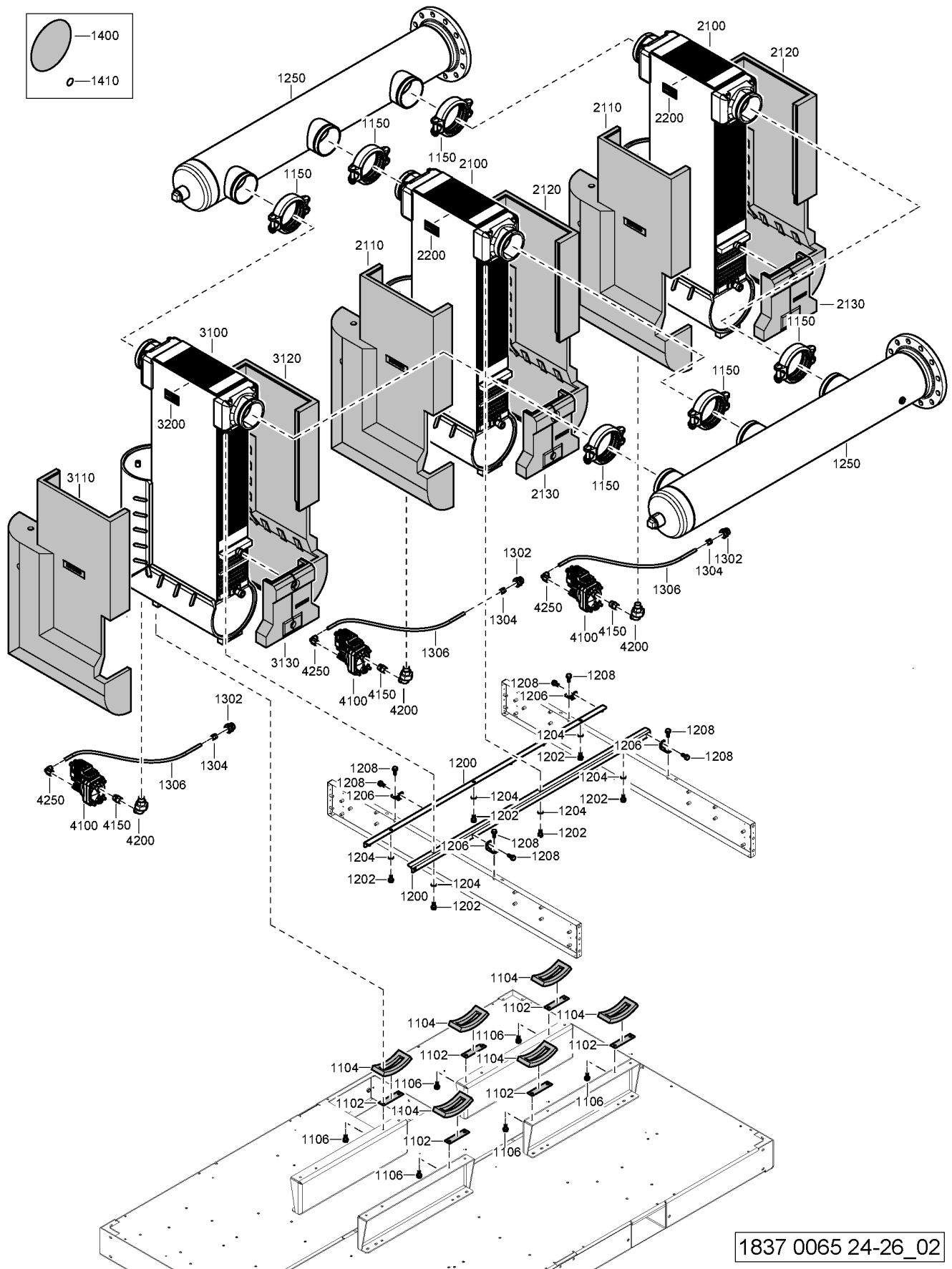
MODEL:VDR8450A1 - Model:VDR8450

MOVOL:460V-3PH - Supply voltage:460V (3ph)



1837 0072 07_01

Ref	Part Number	Qty	Name	Validity
1100	1629 0869 00	1	SEPARATOR REFRIGERANT	(20/08/2021 - ...)
1102	1619 2766 00	3	SCR.BOLT M8X20	(20/08/2021 - ...)
1150	1629 1844 00	1	INSULATION THERMAL	(20/08/2021 - ...)
1300	0395 1010 05	2	INSUL. TAPE(C) 3 X 50 X 15000	(20/08/2021 - ...)
	↻ Substituted by:	1630 0000 70	INSUL. TAPE(C) 3 X 50 X 15000 (quantity: 1)	
1350	1629 1967 00	1	INSULATION THERMAL	(20/08/2021 - ...)



1837 0065 24-26_02

5 - Heat Exchanger - VDR 6350

MODEL:VDR6350A1 + (CONNE:ANSI , CONNE:DIN)



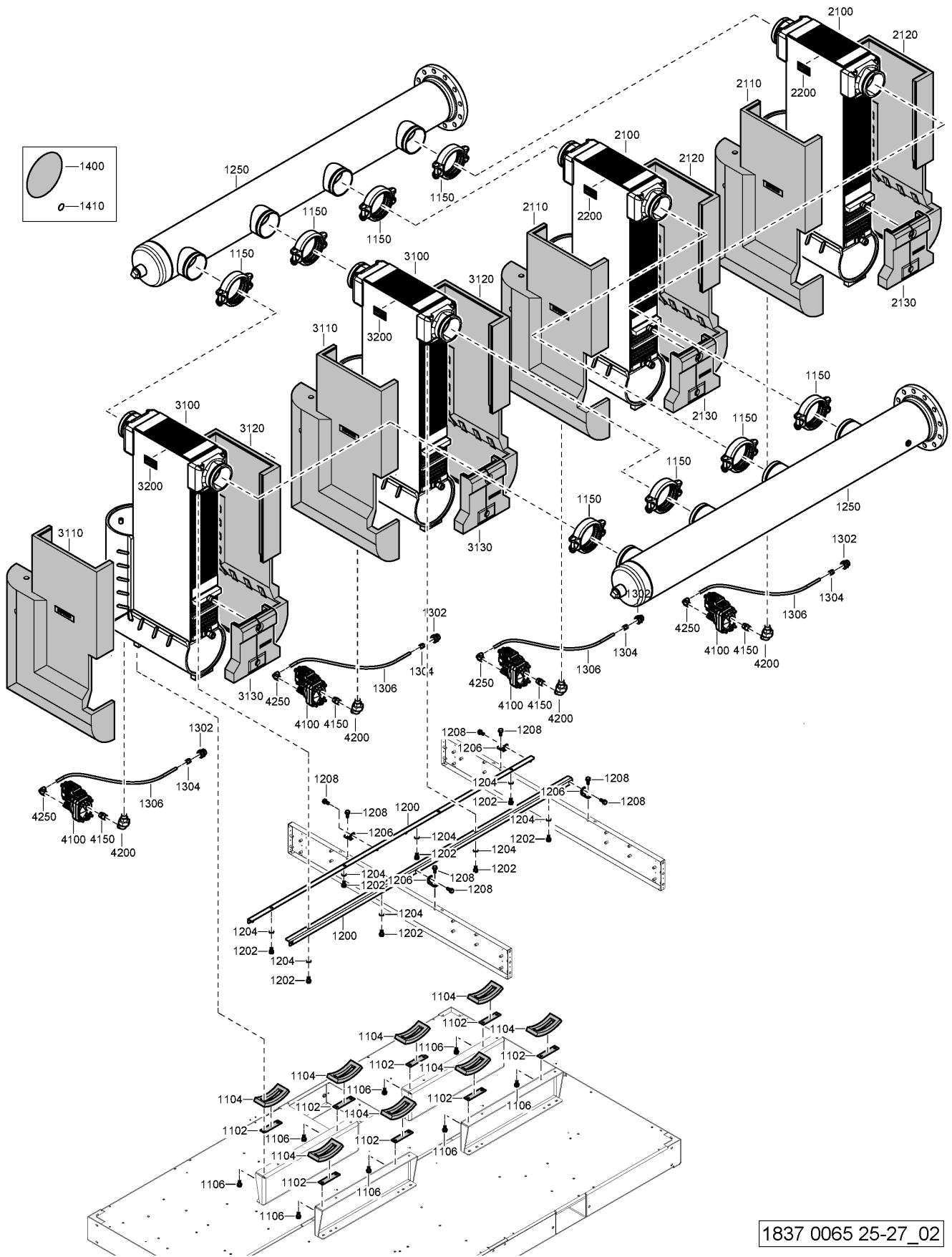
Ref	Part Number	Qty	Name	Validity
1102	1629 0752 00	6	INSULATION THERMAL	(31/12/2030 - ...)
1104	1629 0703 00	6	INSULATION THERMAL	(31/12/2030 - ...)
1106	0147 1963 08	12	SCREW HEX. M8X25 WITH WASHER	(31/12/2030 - ...)
1150	0634 1000 55	6	PIPE COUPLING TYPE A1 DN125	(31/12/2030 - ...)
1200	1629 1866 00	2	BEAM	(31/12/2030 - ...)
1202	0147 1360 03	6	HEX HEAD SCREW	(31/12/2030 - ...)
1204	0301 2344 00	6	WASHER PLAIN	(31/12/2030 - ...)
1206	1629 1883 00	4	SUPPORT	(31/12/2030 - ...)
1208	0147 1963 08	8	SCREW HEX. M8X25 WITH WASHER	(31/12/2030 - ...)
1250	1629 0867 00	2	COLLECTOR AIR	(31/12/2030 - ...) CONNE:DIN
1250	1629 1879 00	2	COLLECTOR AIR	(31/12/2030 - ...) CONNE:ANSI
1302	0581 0000 86	3	PIPE COUPLING TYPE 9.1	(31/12/2030 - ...)
1304	0583 8100 87	3	COUPLING STR	(31/12/2030 - ...)
1306	0070 6002 06	35	TUBE	(31/12/2030 - ...)
1400	0017 9862 95	2	PROTECTION	(31/12/2030 - ...)
1410	1617 0315 00	6	RING	(31/12/2030 - ...)
	↳ Substituted by:	1617 0165 00	- RING (quantity: 1)	
	1837 0053 06	2	HEAT EXCHANGER	(31/12/2030 - ...)
2100	• 1830 0216 14	1	HEAT EXCHANGER	
2110	• 1617 4761 00	1	INSULATION THERMAL	
2120	• 1617 4760 00	1	INSULATION THERMAL	
2130	• 1830 0216 04	1	INSULATION	
2200	• 1627 6710 00	1	DECAL	
	1837 0053 06	1	HEAT EXCHANGER	(31/12/2030 - ...)
3100	• 1830 0216 14	1	HEAT EXCHANGER	
3110	• 1617 4761 00	1	INSULATION THERMAL	
3120	• 1617 4760 00	1	INSULATION THERMAL	
3130	• 1830 0216 04	1	INSULATION	
3200	• 1627 6710 00	1	DECAL	
	1609 0012 12	3	BASIC PARTS	(31/12/2030 - ...)
4100	• 1627 7933 00	1	DRAIN AUTOMATIC	
4150	• 0603 4100 36	1	HEXAGON NIPPLE	
4200	• 0586 1000 29	1	COUPLING TYPE UA12	
4250	• 0583 8120 91	1	FITTING	

Legend:

CONNE:ANSI - Flanged connection:ANSI flanges

CONNE:DIN - Flanged connection:DIN flanges

MODEL:VDR6350A1 - Model:VDR6350



1837 0065 25-27_02

6 - Heat Exchanger - VDR 8450

MODEL:VDR8450A1 + (CONNE:ANSI , CONNE:DIN)



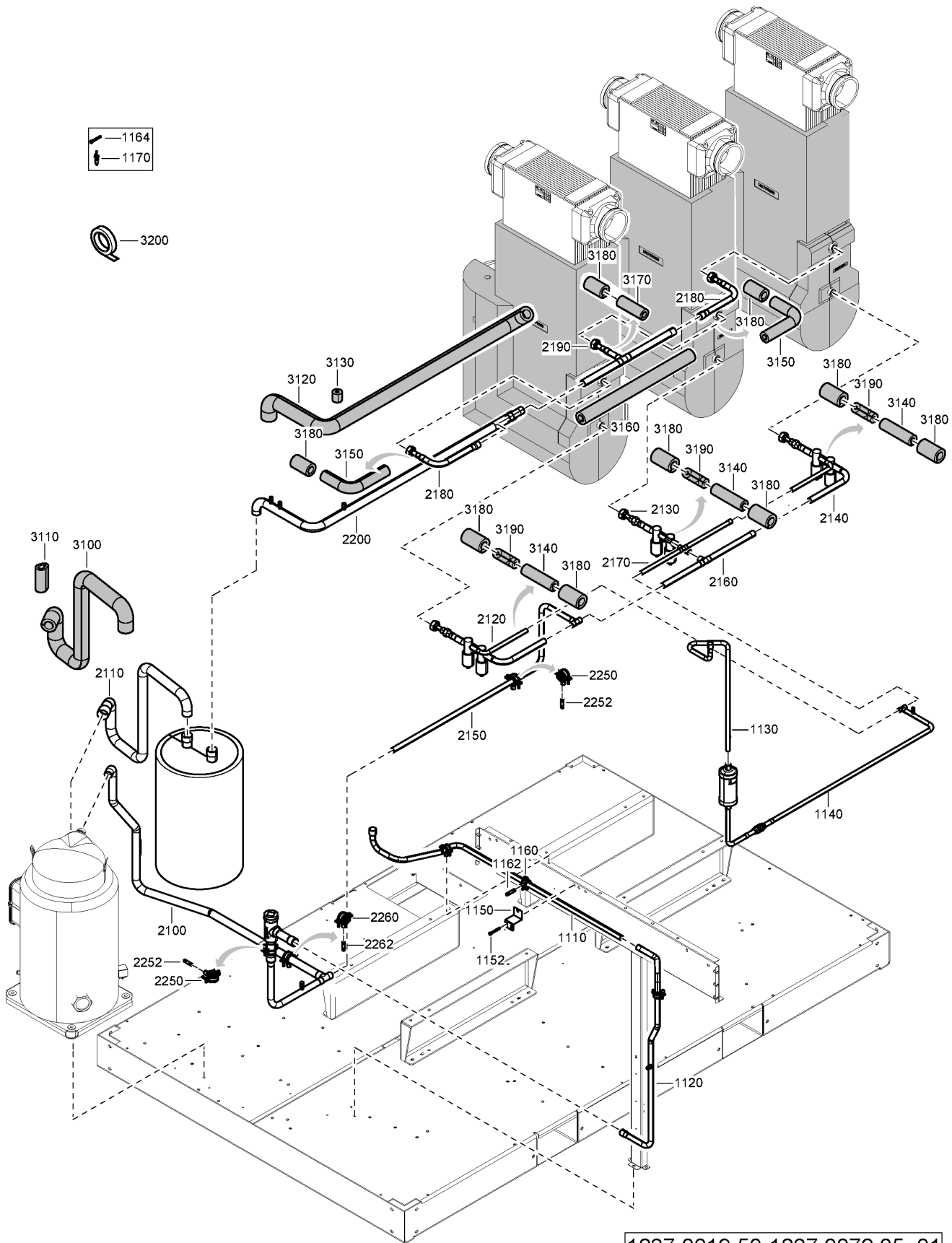
Ref	Part Number	Qty	Name	Validity
1102	1629 0752 00	8	INSULATION THERMAL	(31/12/2030 - ...)
1104	1629 0703 00	8	INSULATION THERMAL	(31/12/2030 - ...)
1106	0147 1963 08	16	SCREW HEX. M8X25 WITH WASHER	(31/12/2030 - ...)
1150	0634 1000 55	8	PIPE COUPLING TYPE A1 DN125	(31/12/2030 - ...)
1200	1629 0882 00	2	BEAM	(31/12/2030 - ...)
1202	0147 1360 03	8	HEX HEAD SCREW	(31/12/2030 - ...)
1204	0301 2344 00	8	WASHER PLAIN	(31/12/2030 - ...)
1206	1629 1883 00	4	SUPPORT	(31/12/2030 - ...)
1208	0147 1963 08	8	SCREW HEX. M8X25 WITH WASHER	(31/12/2030 - ...)
1250	1629 0877 00	2	COLLECTOR AIR	(31/12/2030 - ...) CONNE:DIN
1250	1629 1869 00	2	COLLECTOR AIR	(31/12/2030 - ...) CONNE:ANSI
1302	0581 0000 86	4	PIPE COUPLING TYPE 9.1	(31/12/2030 - ...)
1304	0583 8100 87	4	COUPLING STR	(31/12/2030 - ...)
1306	0070 6002 06	46	TUBE	(31/12/2030 - ...)
1400	0017 9862 95	2	PROTECTION	(31/12/2030 - ...)
1410	1617 0315 00	8	RING	(31/12/2030 - ...)
	↳ Substituted by:	1617 0165 00	RING (quantity: 1)	
	1837 0053 06	2	HEAT EXCHANGER	(31/12/2030 - ...)
2100	• 1830 0216 14	1	HEAT EXCHANGER	
2110	• 1617 4761 00	1	INSULATION THERMAL	
2120	• 1617 4760 00	1	INSULATION THERMAL	
2130	• 1830 0216 04	1	INSULATION	
2200	• 1627 6710 00	1	DECAL	
	1837 0053 06	2	HEAT EXCHANGER	(31/12/2030 - ...)
3100	• 1830 0216 14	1	HEAT EXCHANGER	
3110	• 1617 4761 00	1	INSULATION THERMAL	
3120	• 1617 4760 00	1	INSULATION THERMAL	
3130	• 1830 0216 04	1	INSULATION	
3200	• 1627 6710 00	1	DECAL	
	1609 0012 12	4	BASIC PARTS	(31/12/2030 - ...)
4100	• 1627 7933 00	1	DRAIN AUTOMATIC	
4150	• 0603 4100 36	1	HEXAGON NIPPLE	
4200	• 0586 1000 29	1	COUPLING TYPE UA12	
4250	• 0583 8120 91	1	FITTING	

Legend:

CONNE:ANSI - Flanged connection:ANSI flanges

CONNE:DIN - Flanged connection:DIN flanges

MODEL:VDR8450A1 - Model:VDR8450



1837 0019 50-1837 0072 05_01

7 - Piping Assembly - Aircooled - VDR 6350

COOL:AIR + MODEL:VDR6350A1

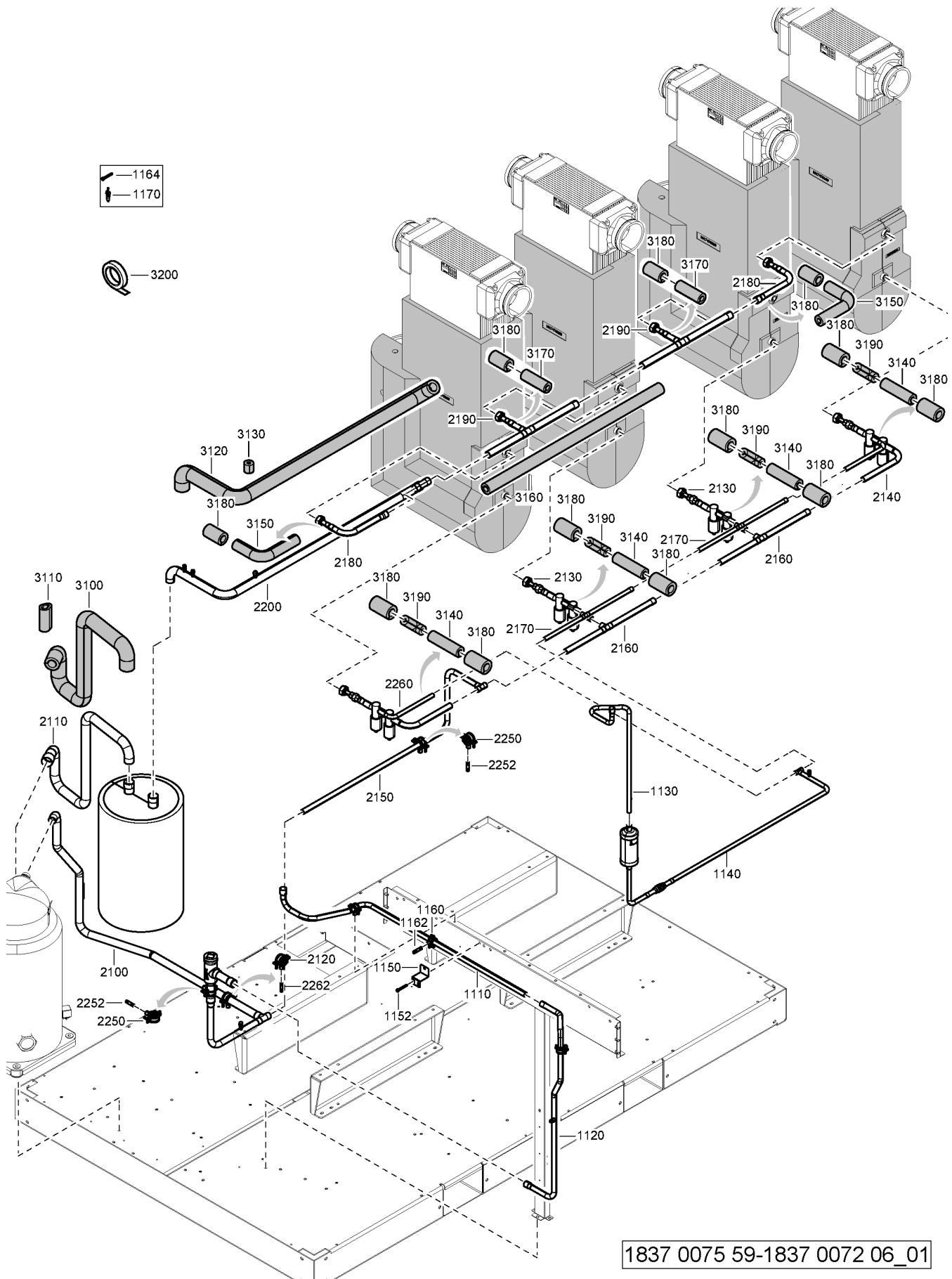


Ref	Part Number	Qty	Name	Validity
1110	1629 1816 00	1	PIPE	(31/12/2030 - ...)
1120	1629 1815 00	1	PIPE	(31/12/2030 - ...)
1130	1629 1818 00	1	PIPE	(31/12/2030 - ...)
	• 1617 4681 00	1	VALVE CHECK	
1140	1830 0086 06	1	PIPE	(31/12/2030 - ...)
1150	1830 0028 27	1	SUPPORT	(31/12/2030 - ...)
1152	0147 1963 08	2	SCREW HEX. M8X25 WITH WASHER	(31/12/2030 - ...)
1160	1629 0861 03	3	CLAMP PIPE	(31/12/2030 - ...)
1162	0246 1196 00	2	ROD	(31/12/2030 - ...)
1164	0147 1963 08	1	SCREW HEX. M8X25 WITH WASHER	(31/12/2030 - ...)
1170	1617 4682 00	5	VALVE CORE	(31/12/2030 - ...)
2100	1629 1805 80	1	PIPE	(31/12/2030 - ...)
2110	1629 1804 00	1	PIPE	(31/12/2030 - ...)
2120	1830 0081 04	1	PIPE	(31/12/2030 - ...)
	• 1627 6805 00	1	VALVE REGUL.	
	• 1617 2527 02	1	LIQ. GAS MIXER	
	• 1629 1851 00	1	VALVE REGUL.	
2130	1830 0081 05	1	PIPE	(31/12/2030 - ...)
	• 1627 6805 00	1	VALVE REGUL.	
	• 1617 2527 02	1	LIQ. GAS MIXER	
	• 1629 1851 00	1	VALVE REGUL.	
2140	1830 0081 06	1	PIPE	(31/12/2030 - ...)
	• 1627 6805 00	1	VALVE REGUL.	
	• 1617 2527 02	1	LIQ. GAS MIXER	
	• 1629 1851 00	1	VALVE REGUL.	
2150	1830 0081 07	1	PIPE	(31/12/2030 - ...)
2160	1830 0085 69	1	PIPE	(31/12/2030 - ...)
2170	1830 0085 68	1	PIPE	(31/12/2030 - ...)
2180	1830 0081 09	2	PIPE	(31/12/2030 - ...)
2190	1830 0081 10	1	PIPE	(31/12/2030 - ...)
2200	1830 0081 11	1	PIPE	(31/12/2030 - ...)
	• 1617 4685 00	2	VALVE CHECK	
2250	1629 0861 03	2	CLAMP PIPE	(31/12/2030 - ...)
2252	0246 1196 00	2	ROD	(31/12/2030 - ...)
2260	1629 0861 04	1	CLAMP PIPE	(31/12/2030 - ...)
2262	0246 1196 00	1	ROD	(31/12/2030 - ...)
3100	1629 1862 00	1	INSULATION THERMAL	(31/12/2030 - ...)
3110	1629 1968 00	1	INSULATION THERMAL	(31/12/2030 - ...)
3120	1830 0298 02	1	INSULATION	(31/12/2030 - ...)
3130	1617 2235 80	1	INSULATION ASSY	(31/12/2030 - ...)
	• 1617 2235 01	1	INSULATION HOSE	
	• 1617 0219 00	1	INSUL.PLATE H-99/E	
3140	1830 0298 43	3	INSULATION	(31/12/2030 - ...)
3150	1830 0298 47	2	INSULATION	(31/12/2030 - ...)
3160	1830 0298 49	1	INSULATION	(31/12/2030 - ...)
3170	1830 0298 46	1	INSULATION	(31/12/2030 - ...)
3180	1629 0745 00	9	INSULATION THERMAL	(31/12/2030 - ...)
3190	1629 1868 00	3	INSULATION THERMAL	(31/12/2030 - ...)
3200	0395-1010-05	3	INSUL. TAPE(C) 3 X 50 X 15000	(31/12/2030 - ...)
	☞ Substituted by:	1630 0000 70	INSUL. TAPE(C) 3 X 50 X 15000 (quantity: 1)	

Legend:

COOL:AIR - Cooling:Air cooled

MODEL:VDR6350A1 - Model:VDR6350



1837 0075 59-1837 0072 06_01

8 - Piping Assembly - Aircooled - VDR 8450

COOL:AIR + MODEL:VDR8450A1

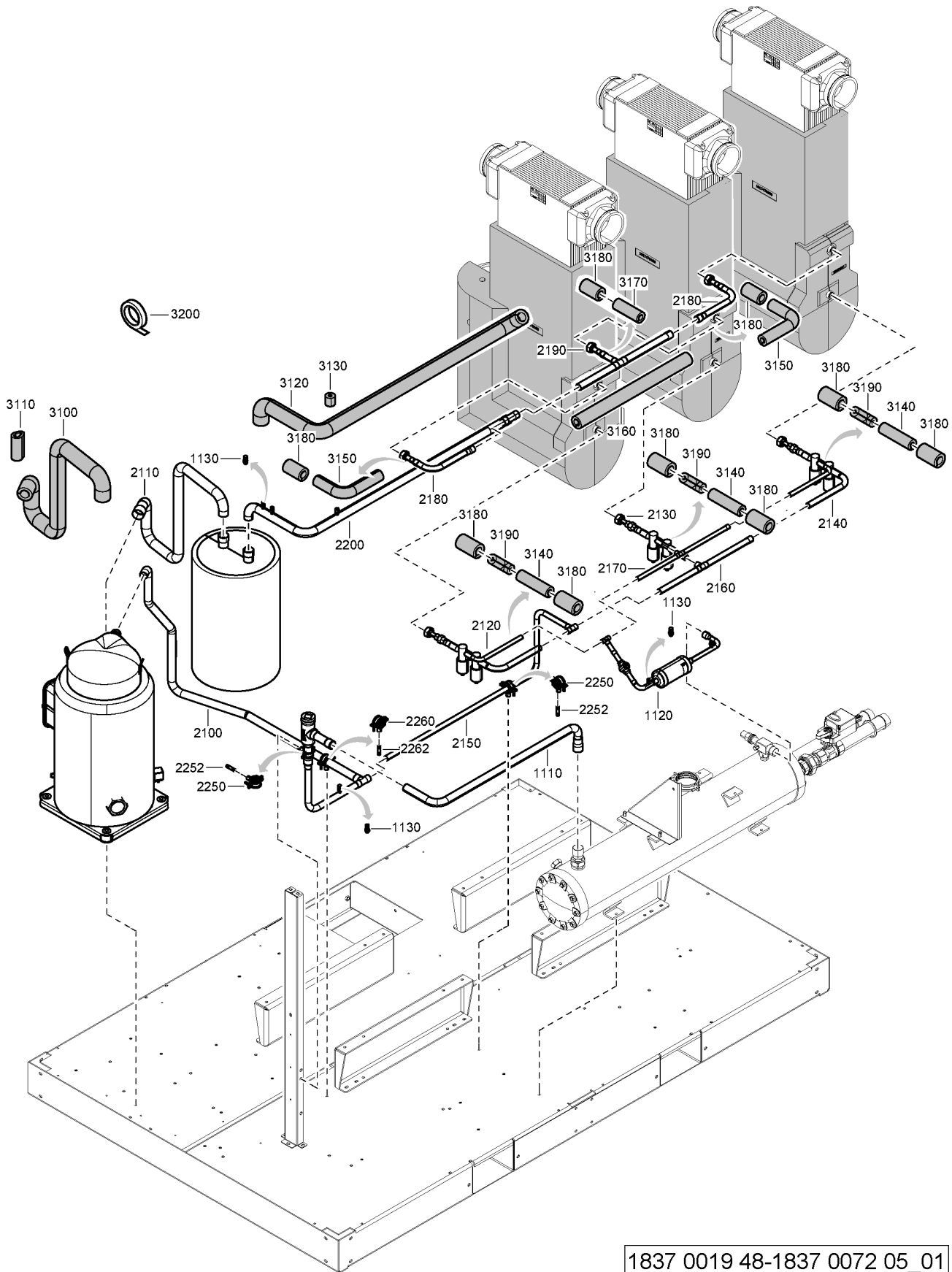


Ref	Part Number	Qty	Name	Validity
1110	1629 1816 00	1	PIPE	(31/12/2030 - ...)
1120	1629 1815 00	1	PIPE	(31/12/2030 - ...)
1130	1629 1818 00	1	PIPE	(31/12/2030 - ...)
	• 1617 4681 00	1	VALVE CHECK	
1140	1830 0086 06	1	PIPE	(31/12/2030 - ...)
1150	1830 0028 27	1	SUPPORT	(31/12/2030 - ...)
1152	0147 1963 08	2	SCREW HEX. M8X25 WITH WASHER	(31/12/2030 - ...)
1160	1629 0861 03	3	CLAMP PIPE	(31/12/2030 - ...)
1162	0246 1196 00	2	ROD	(31/12/2030 - ...)
1164	0147 1963 08	1	SCREW HEX. M8X25 WITH WASHER	(31/12/2030 - ...)
1170	1617 4682 00	5	VALVE CORE	(31/12/2030 - ...)
2100	1629 1805 80	1	PIPE	(31/12/2030 - ...)
2110	1629 1804 00	1	PIPE	(31/12/2030 - ...)
2120	1629 0861 04	1	CLAMP PIPE	(31/12/2030 - ...)
2130	1830 0081 05	2	PIPE	(31/12/2030 - ...)
	• 1627 6805 00	1	VALVE REGUL.	
	• 1617 2527 02	1	LIQ. GAS MIXER	
	• 1629 1851 00	1	VALVE REGUL.	
2140	1830 0081 06	1	PIPE	(31/12/2030 - ...)
	• 1627 6805 00	1	VALVE REGUL.	
	• 1617 2527 02	1	LIQ. GAS MIXER	
	• 1629 1851 00	1	VALVE REGUL.	
2150	1830 0081 07	1	PIPE	(31/12/2030 - ...)
2160	1830 0085 69	2	PIPE	(31/12/2030 - ...)
2170	1830 0085 68	2	PIPE	(31/12/2030 - ...)
2180	1830 0081 09	2	PIPE	(31/12/2030 - ...)
2190	1830 0081 10	2	PIPE	(31/12/2030 - ...)
2200	1830 0081 11	1	PIPE	(31/12/2030 - ...)
	• 1617 4685 00	2	VALVE CHECK	
2250	1629 0861 03	2	CLAMP PIPE	(31/12/2030 - ...)
2252	0246 1196 00	2	ROD	(31/12/2030 - ...)
2260	1830 0081 04	1	PIPE	(31/12/2030 - ...)
	• 1627 6805 00	1	VALVE REGUL.	
	• 1617 2527 02	1	LIQ. GAS MIXER	
	• 1629 1851 00	1	VALVE REGUL.	
2262	0246 1196 00	1	ROD	(31/12/2030 - ...)
3100	1629 1862 00	1	INSULATION THERMAL	(31/12/2030 - ...)
3110	1629 1968 00	1	INSULATION THERMAL	(31/12/2030 - ...)
3120	1830 0298 02	1	INSULATION	(31/12/2030 - ...)
3130	1617 2235 80	1	INSULATION ASSY	(31/12/2030 - ...)
	• 1617 2235 01	1	INSULATION HOSE	
	• 1617 0219 00	1	INSUL.PLATE H-99/E	
3140	1830 0298 43	4	INSULATION	(31/12/2030 - ...)
3150	1830 0298 47	2	INSULATION	(31/12/2030 - ...)
3160	1830 0298 48	1	INSULATION	(31/12/2030 - ...)
3170	1830 0298 46	2	INSULATION	(31/12/2030 - ...)
3180	1629 0745 00	12	INSULATION THERMAL	(31/12/2030 - ...)
3190	1629 1868 00	4	INSULATION THERMAL	(31/12/2030 - ...)
3200	0395-1010-05	4	INSUL. TAPE(C) 3 X 50 X 15000	(31/12/2030 - ...)
	☞ Substituted by:	1630 0000 70	INSUL. TAPE(C) 3 X 50 X 15000 (quantity: 1)	

Legend:

COOL:AIR - Cooling:Air cooled

MODEL:VDR8450A1 - Model:VDR8450



1837 0019 48-1837 0072 05_01

9 - Piping Assembly - Watercooled - VDR 6350

COOL:WATER + MODEL:VDR6350A1

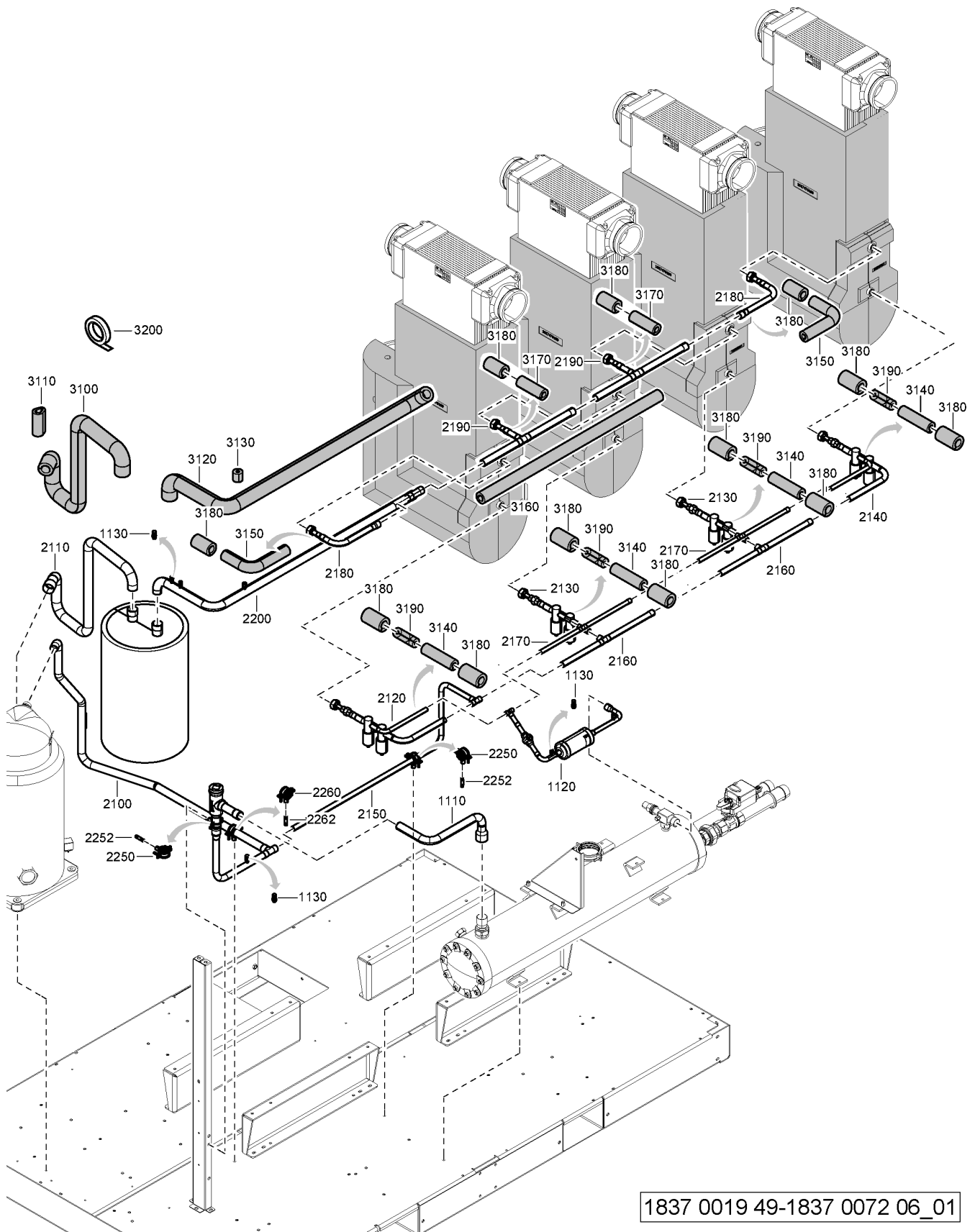


Ref	Part Number	Qty	Name	Validity
1110	1629 1808 00	1	PIPE	(31/12/2030 - ...)
1120	1830 0085 70	1	PIPE	(31/12/2030 - ...)
1130	1617 4682 00	5	VALVE CORE	(31/12/2030 - ...)
2100	1629 1805 80	1	PIPE	(31/12/2030 - ...)
2110	1629 1804 00	1	PIPE	(31/12/2030 - ...)
2120	1830 0081 04	1	PIPE	(31/12/2030 - ...)
	• 1627 6805 00	1	VALVE REGUL.	
	• 1617 2527 02	1	LIQ. GAS MIXER	
	• 1629 1851 00	1	VALVE REGUL.	
2130	1830 0081 05	1	PIPE	(31/12/2030 - ...)
	• 1627 6805 00	1	VALVE REGUL.	
	• 1617 2527 02	1	LIQ. GAS MIXER	
	• 1629 1851 00	1	VALVE REGUL.	
2140	1830 0081 06	1	PIPE	(31/12/2030 - ...)
	• 1627 6805 00	1	VALVE REGUL.	
	• 1617 2527 02	1	LIQ. GAS MIXER	
	• 1629 1851 00	1	VALVE REGUL.	
2150	1830 0081 07	1	PIPE	(31/12/2030 - ...)
2160	1830 0085 69	1	PIPE	(31/12/2030 - ...)
2170	1830 0085 68	1	PIPE	(31/12/2030 - ...)
2180	1830 0081 09	2	PIPE	(31/12/2030 - ...)
2190	1830 0081 10	1	PIPE	(31/12/2030 - ...)
2200	1830 0081 11	1	PIPE	(31/12/2030 - ...)
	• 1617 4685 00	2	VALVE CHECK	
2250	1629 0861 03	2	CLAMP PIPE	(31/12/2030 - ...)
2252	0246 1196 00	2	ROD	(31/12/2030 - ...)
2260	1629 0861 04	1	CLAMP PIPE	(31/12/2030 - ...)
2262	0246 1196 00	1	ROD	(31/12/2030 - ...)
3100	1629 1862 00	1	INSULATION THERMAL	(31/12/2030 - ...)
3110	1629 1968 00	1	INSULATION THERMAL	(31/12/2030 - ...)
3120	1830 0298 02	1	INSULATION	(31/12/2030 - ...)
3130	1617 2235 80	1	INSULATION ASSY	(31/12/2030 - ...)
	• 1617 2235 01	1	INSULATION HOSE	
	• 1617 0219 00	1	INSUL.PLATE H-99/E	
3140	1830 0298 43	3	INSULATION	(31/12/2030 - ...)
3150	1830 0298 47	2	INSULATION	(31/12/2030 - ...)
3160	1830 0298 49	1	INSULATION	(31/12/2030 - ...)
3170	1830 0298 46	1	INSULATION	(31/12/2030 - ...)
3180	1629 0745 00	9	INSULATION THERMAL	(31/12/2030 - ...)
3190	1629 1868 00	3	INSULATION THERMAL	(31/12/2030 - ...)
3200	0395 1010 05	3	INSUL. TAPE(C) 3 X 50 X 15000	(31/12/2030 - ...)
	↻ Substituted by:		1630 0000 70 - INSUL. TAPE(C) 3 X 50 X 15000 (quantity: 1)	

Legend:

COOL:WATER - Cooling:Water cooled

MODEL:VDR6350A1 - Model:VDR6350



10 - Piping Assembly - Watercooled - VDR 8450

COOL:WATER + MODEL:VDR8450A1

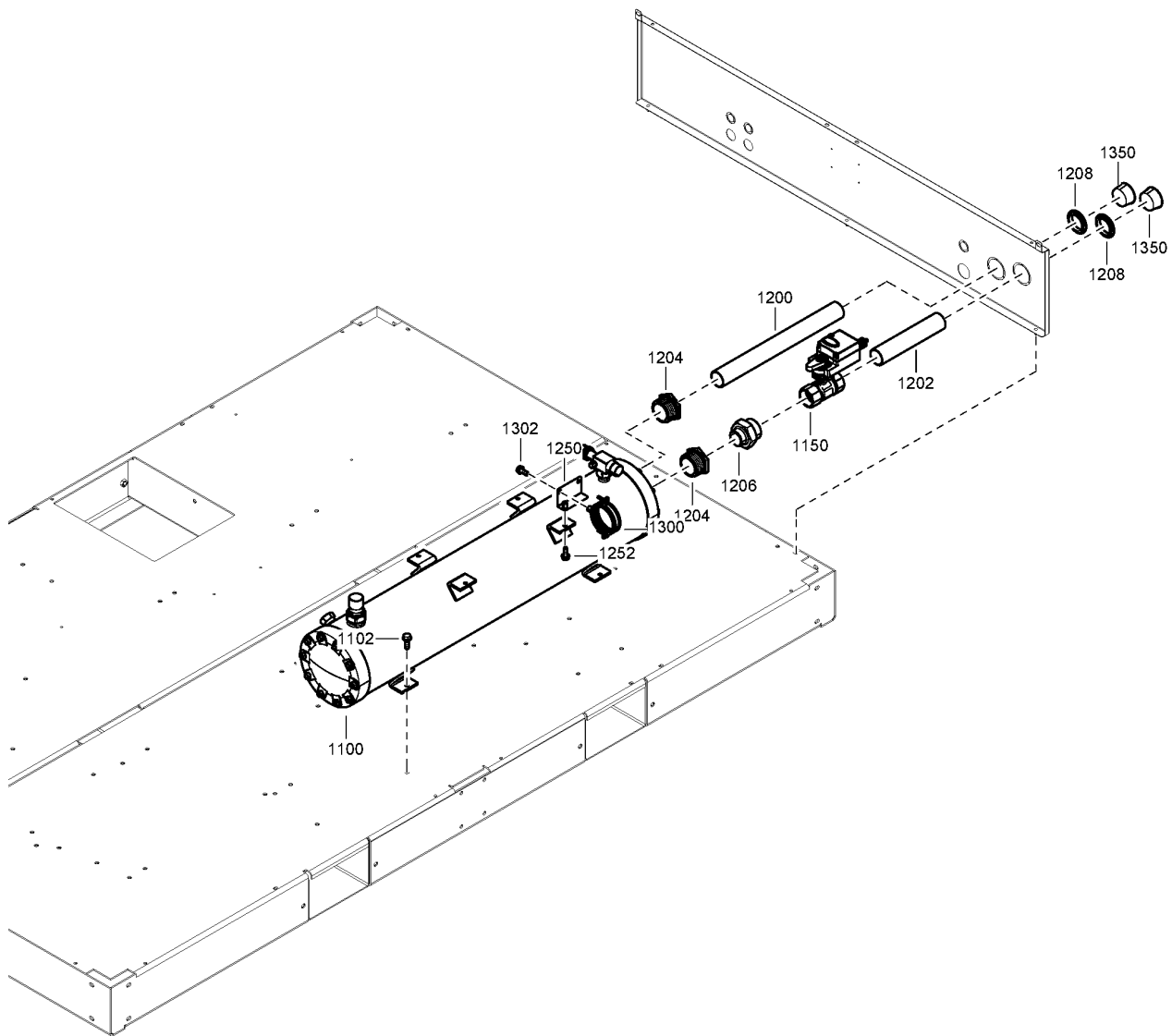


Ref	Part Number	Qty	Name	Validity
1110	1629 1814 00	1	PIPE	(31/12/2030 - ...)
1120	1830 0085 71	1	PIPE	(31/12/2030 - ...)
1130	1617 4682 00	5	VALVE CORE	(31/12/2030 - ...)
2100	1629 1805 80	1	PIPE	(31/12/2030 - ...)
2110	1629 1804 00	1	PIPE	(31/12/2030 - ...)
2120	1629 0861 04	1	CLAMP PIPE	(31/12/2030 - ...)
2130	1830 0081 05	2	PIPE	(31/12/2030 - ...)
	• 1627 6805 00	1	VALVE REGUL.	
	• 1617 2527 02	1	LIQ. GAS MIXER	
	• 1629 1851 00	1	VALVE REGUL.	
2140	1830 0081 06	1	PIPE	(31/12/2030 - ...)
	• 1627 6805 00	1	VALVE REGUL.	
	• 1617 2527 02	1	LIQ. GAS MIXER	
	• 1629 1851 00	1	VALVE REGUL.	
2150	1830 0081 07	1	PIPE	(31/12/2030 - ...)
2160	1830 0085 69	2	PIPE	(31/12/2030 - ...)
2170	1830 0085 68	2	PIPE	(31/12/2030 - ...)
2180	1830 0081 09	2	PIPE	(31/12/2030 - ...)
2190	1830 0081 10	2	PIPE	(31/12/2030 - ...)
2200	1830 0081 11	1	PIPE	(31/12/2030 - ...)
	• 1617 4685 00	2	VALVE CHECK	
2250	1629 0861 03	2	CLAMP PIPE	(31/12/2030 - ...)
2252	0246 1196 00	2	ROD	(31/12/2030 - ...)
2260	1830 0081 04	1	PIPE	(31/12/2030 - ...)
	• 1627 6805 00	1	VALVE REGUL.	
	• 1617 2527 02	1	LIQ. GAS MIXER	
	• 1629 1851 00	1	VALVE REGUL.	
2262	0246 1196 00	1	ROD	(31/12/2030 - ...)
3100	1629 1862 00	1	INSULATION THERMAL	(31/12/2030 - ...)
3110	1629 1968 00	1	INSULATION THERMAL	(31/12/2030 - ...)
3120	1830 0298 02	1	INSULATION	(31/12/2030 - ...)
3130	1617 2235 80	1	INSULATION ASSY	(31/12/2030 - ...)
	• 1617 2235 01	1	INSULATION HOSE	
	• 1617 0219 00	1	INSUL.PLATE H-99/E	
3140	1830 0298 43	4	INSULATION	(31/12/2030 - ...)
3150	1830 0298 47	2	INSULATION	(31/12/2030 - ...)
3160	1830 0298 48	1	INSULATION	(31/12/2030 - ...)
3170	1830 0298 46	2	INSULATION	(31/12/2030 - ...)
3180	1629 0745 00	12	INSULATION THERMAL	(31/12/2030 - ...)
3190	1629 1868 00	4	INSULATION THERMAL	(31/12/2030 - ...)
3200	0395 1010 05	4	INSUL. TAPE(C) 3 X 50 X 15000	(31/12/2030 - ...)
	↳ Substituted by:		1630 0000 70 - INSUL. TAPE(C) 3 X 50 X 15000 (quantity: 1)	

Legend:

COOL:WATER - Cooling:Water cooled

MODEL:VDR8450A1 - Model:VDR8450



1837 0020 46-47_01

11 - Condenser - Watercooled

COOL:WATER



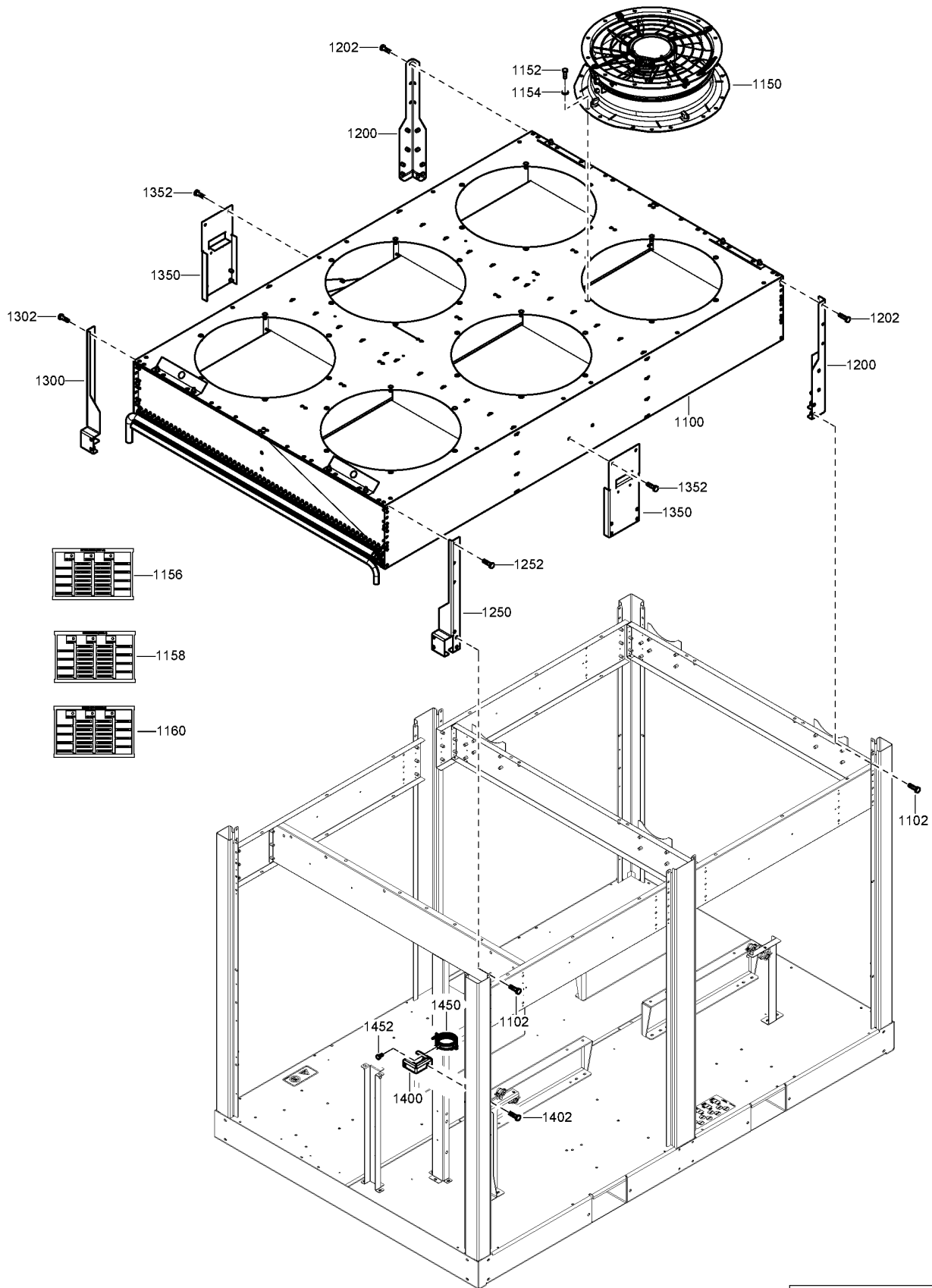
Ref	Part Number	Qty	Name	Validity
1100	1617 1131 03	1	CONDENSER WATER COOLED	(31/12/2030 - ...) MODEL:VDR6350A1
1100	1617 4089 00	1	CONDENSOR	(31/12/2030 - ...) MODEL:VDR8450A1
1102	1619 2766 00	4	SCR.BOLT M8X20	(31/12/2030 - ...)
1150	1629 0878 00	1	VALVE BALL	(31/12/2030 - ...)
1200	0551 3112 86	1	THREADED PIPE	(31/12/2030 - ...)
1202	0551 0002 30	1	PIPE	(31/12/2030 - ...)
1204	0605 8536 04	1	FITTING	(31/12/2030 - ...)
1206	0603 5133 03	1	FITTING	(31/12/2030 - ...)
1208	0989 4220 10	2	GROMMET	(31/12/2030 - ...)
1250	1830 0086 05	1	SUPPORT	(31/12/2030 - ...)
1252	0147 1963 08	1	SCREW HEX. M8X25 WITH WASHER	(31/12/2030 - ...)
1300	1629 0861 05	1	CLAMP PIPE	(31/12/2030 - ...)
1302	1079 1472 05	1	SCREW	(31/12/2030 - ...)
1350	0686 9176 00	2	PLUG	(31/12/2030 - ...)

Legend:

COOL:WATER - Cooling:Water cooled

MODEL:VDR6350A1 - Model:VDR6350

MODEL:VDR8450A1 - Model:VDR8450

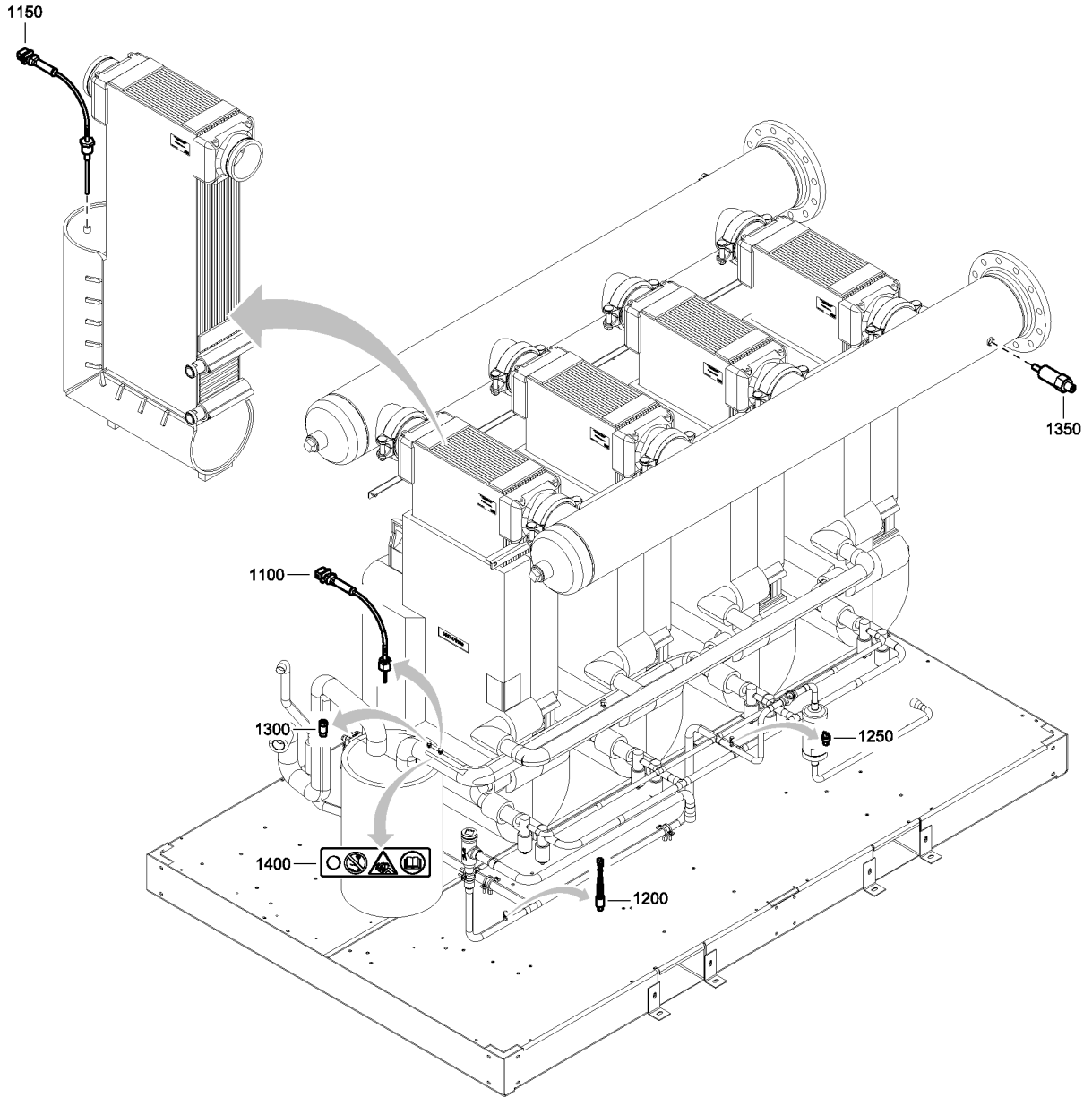


1609 0014 33_01

Ref	Part Number	Qty	Name	Validity
1100	1629 0890 00	1	CONDENSER AIR COOLED	(20/08/2021 - ...)
1102	0147 1963 08	16	SCREW HEX. M8X25 WITH WASHER	(20/08/2021 - ...)
1150	1627 6806 00	6	FAN AXIAL	(20/08/2021 - ...)
1152	0147 1362 03	36	HEX. HEAD SCREW M10 X 25	(20/08/2021 - ...)
1154	0301 2344 00	36	WASHER PLAIN	(20/08/2021 - ...)
1156	1629 0818 00	1	DECAL SYMBOLS	(20/08/2021 - ...)
1158	1629 0819 00	1	DECAL SYMBOLS	(20/08/2021 - ...)
1160	1629 1874 00	1	DECAL SYMBOLS	(20/08/2021 - ...)
1200	1627 6875 00	2	SUPPORT	(20/08/2021 - ...)
1202	0147 1963 08	6	SCREW HEX. M8X25 WITH WASHER	(20/08/2021 - ...)
1250	1629 1845 00	1	SUPPORT	(20/08/2021 - ...)
1252	0147 1963 08	3	SCREW HEX. M8X25 WITH WASHER	(20/08/2021 - ...)
1300	1629 1846 00	1	SUPPORT	(20/08/2021 - ...)
1302	0147 1963 08	3	SCREW HEX. M8X25 WITH WASHER	(20/08/2021 - ...)
1350	1629 0892 00	2	SUPPORT	(20/08/2021 - ...)
1352	0147 1963 08	4	SCREW HEX. M8X25 WITH WASHER	(20/08/2021 - ...)
1400	1629 0726 00	1	SUPPORT	(20/08/2021 - ...)
1402	0147 1963 08	2	SCREW HEX. M8X25 WITH WASHER	(20/08/2021 - ...)
1450	1629 0861 05	1	CLAMP PIPE	(20/08/2021 - ...)
1452	1619 2766 00	1	SCR.BOLT M8X20	(20/08/2021 - ...)

Legend:

COOL:AIR - Cooling:Air cooled



1609 0014 34-35_01

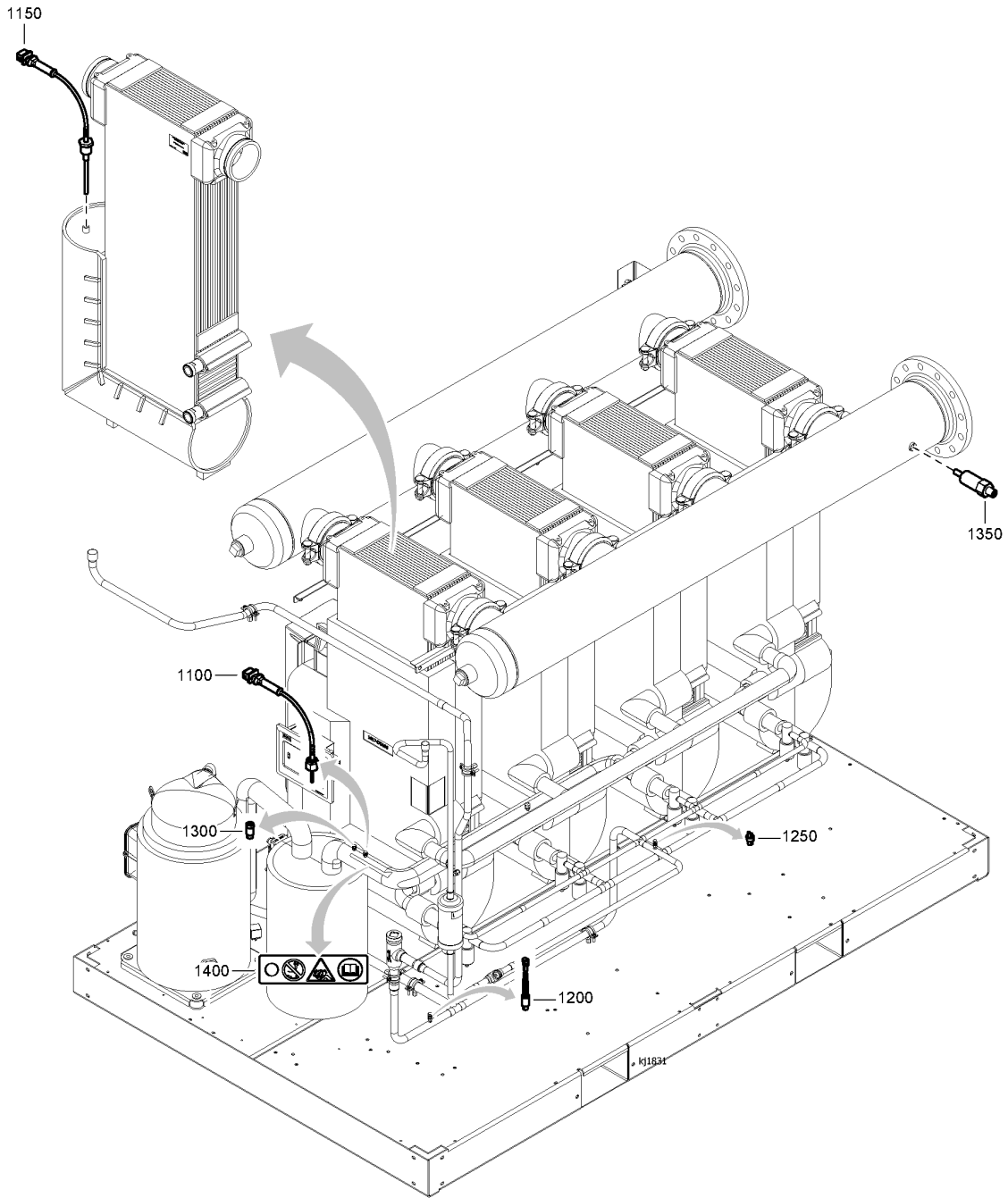
Ref	Part Number	Qty	Name	Validity
1100	1629 0863 00	1	SENSOR TEMP.	(31/12/2030 - ...)
1150	1089 0574 14	3	SENSOR TEMP.	(31/12/2030 - ...) MODEL:VDR6350A1
1150	1089 0574 14	4	SENSOR TEMP.	(31/12/2030 - ...) MODEL:VDR8450A1
1200	1629 0724 00	1	SENSOR PRESS	(31/12/2030 - ...)
1250	1089 0717 04	1	SENSOR PRESS	(31/12/2030 - ...)
1300	1089 9625 23	1	SENSOR PRESS	(31/12/2030 - 30/12/2040)
1350	1624 2614 00	1	FLOW SWITCH	(31/12/2030 - ...)
1400	1629 0792 00	2	DECAL WARNING	(31/12/2030 - ...)

Legend:

COOL:WATER - Cooling:Water cooled

MODEL:VDR6350A1 - Model:VDR6350

MODEL:VDR8450A1 - Model:VDR8450



1609 0014 36-37_01

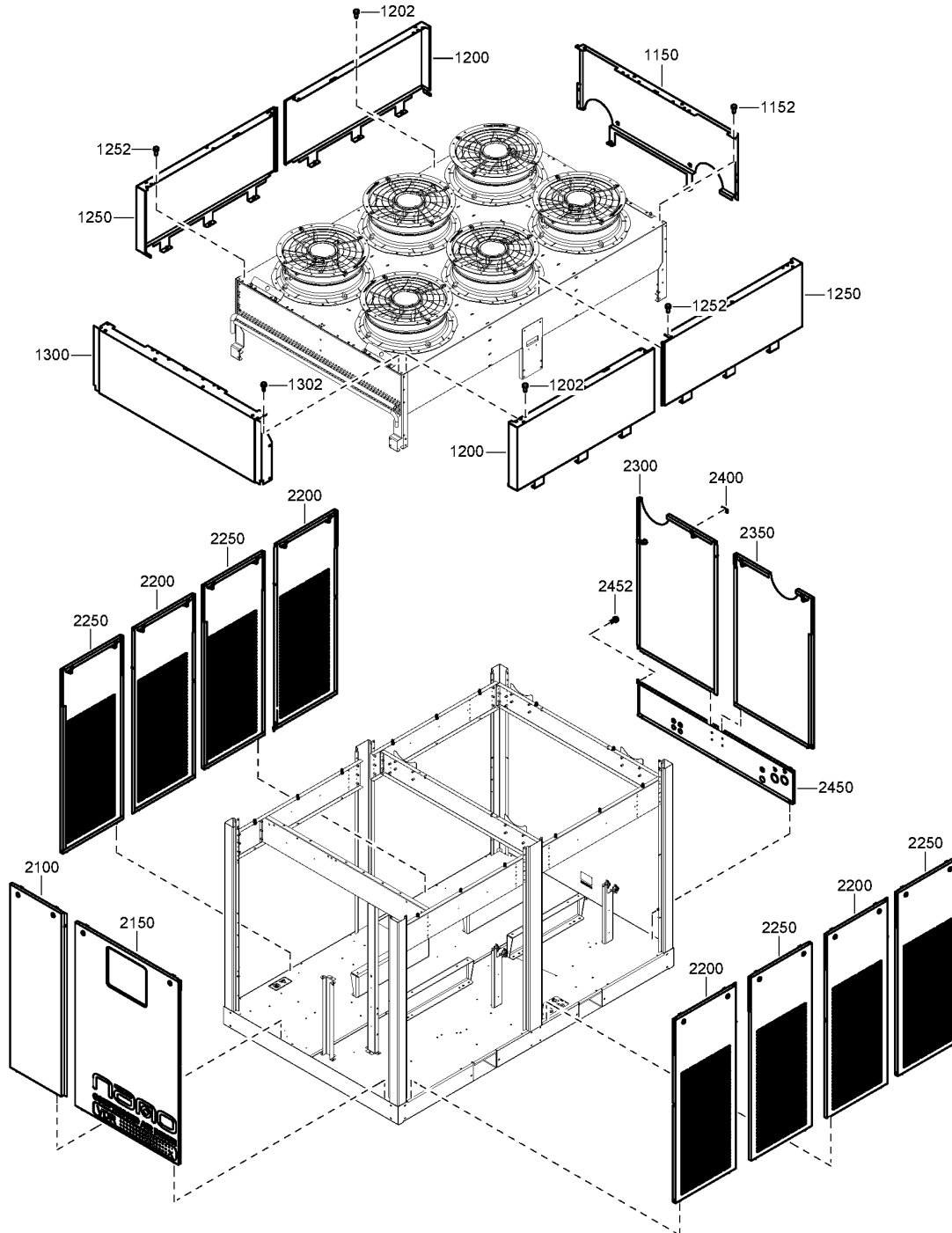
Ref	Part Number	Qty	Name	Validity
1100	1629 0863 00	1	SENSOR TEMP.	(31/12/2030 - ...)
1150	1089 0574 14	3	SENSOR TEMP.	(31/12/2030 - ...) MODEL:VDR6350A1
1150	1089 0574 14	4	SENSOR TEMP.	(31/12/2030 - ...) MODEL:VDR8450A1
1200	1089 9139 17	1	SWITCH PRESS	(31/12/2030 - ...)
1250	1089 0717 04	1	SENSOR PRESS	(31/12/2030 - ...)
1300	1089 9625 23	1	SENSOR PRESS	(31/12/2030 - 30/12/2040)
1350	1624 2614 00	1	FLOW SWITCH	(31/12/2030 - ...)
1400	1629 0792 00	2	DECAL WARNING	(31/12/2030 - ...)

Legend:

COOL:AIR - Cooling:Air cooled

MODEL:VDR6350A1 - Model:VDR6350

MODEL:VDR8450A1 - Model:VDR8450



1837 0115 28_01

15 - Bodywork - Aircooled - Nano

COOL:AIR + (MODEL:VDR6350A1 , MODEL:VDR8450A1)



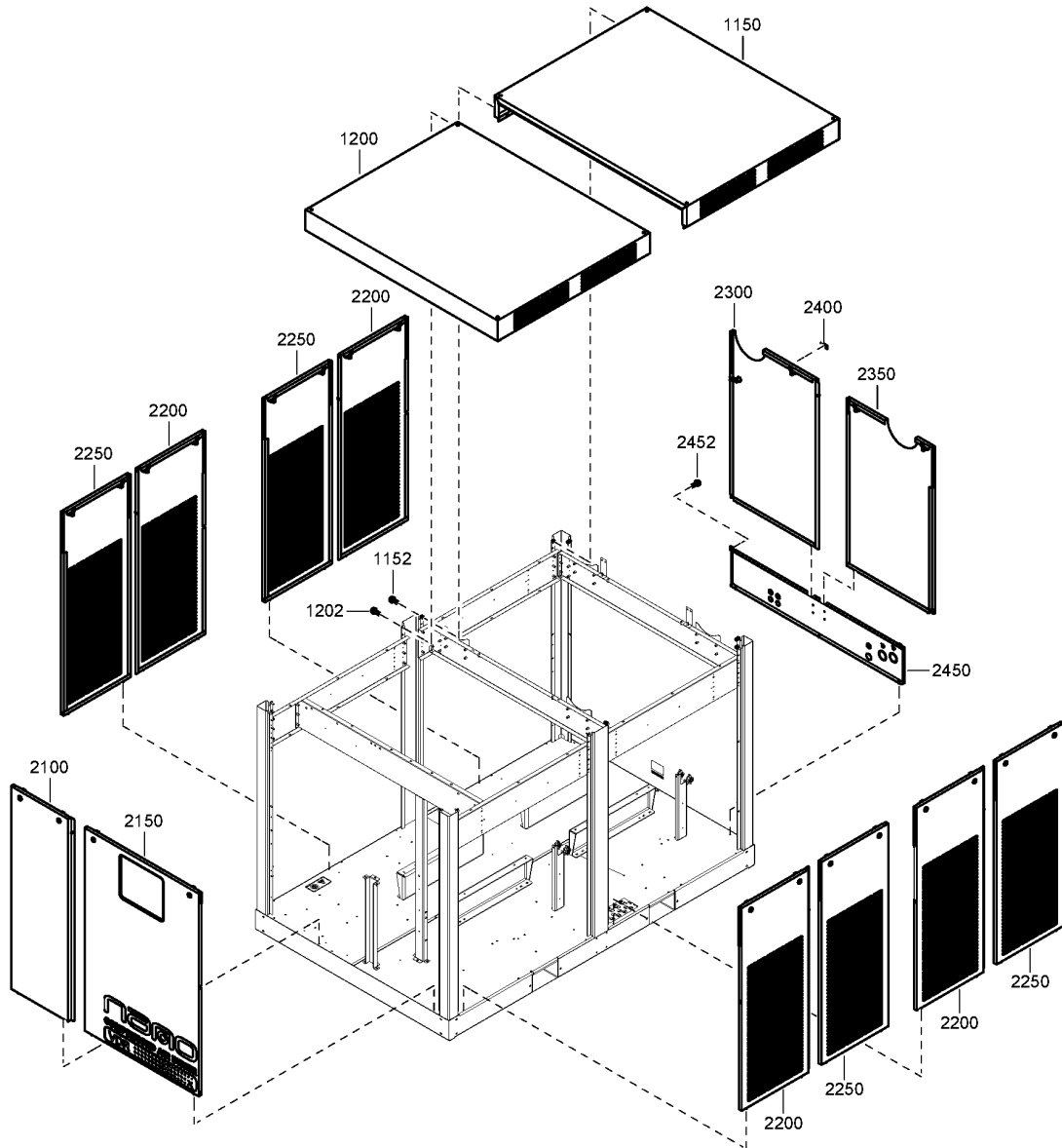
Ref	Part Number	Qty	Name	Validity
1150	1830 0506 14	1	PANEL	(31/12/2030 - ...)
1152	0147 1963 08	6	SCREW HEX. M8X25 WITH WASHER	(31/12/2030 - ...)
1200	1830 0506 17	2	PANEL	(31/12/2030 - ...)
1202	0147 1963 08	6	SCREW HEX. M8X25 WITH WASHER	(31/12/2030 - ...)
1250	1830 0506 18	2	PANEL	(31/12/2030 - ...)
1252	0147 1963 08	6	SCREW HEX. M8X25 WITH WASHER	(31/12/2030 - ...)
1300	1830 0506 20	1	PANEL	(31/12/2030 - ...)
1302	0147 1963 08	4	SCREW HEX. M8X25 WITH WASHER	(31/12/2030 - ...)
2100	1830 0506 23	1	PANEL	(31/12/2030 - ...)
	• 1613 8485 00	2	LOCK	
	• 1619 2758 00	AR	SEAL GASKET	
2150	1830 0506 24	1	PANEL	(31/12/2030 - ...)
	• 1619 2758 00	AR	SEAL GASKET	
	• 1619 2758 00	AR	SEAL GASKET	
	• 1613 8485 00	2	LOCK	
	• 1830 0506 35	1	DECAL	
2200	1830 0506 25	4	PANEL	(31/12/2030 - ...)
	• 1613 8485 00	2	LOCK	
	• 1619 2758 00	AR	SEAL GASKET	
2250	1830 0506 19	4	PANEL	(31/12/2030 - ...)
	• 1613 8485 00	2	LOCK	
	• 1619 2758 00	AR	SEAL GASKET	
2300	1830 0506 15	1	PANEL	(31/12/2030 - ...)
	• 1613 8485 00	2	LOCK	
	• 1619 2758 00	AR	SEAL GASKET	
2350	1830 0506 16	1	PANEL	(31/12/2030 - ...)
	• 1613 8485 00	2	LOCK	
	• 1619 2758 00	AR	SEAL GASKET	
	• 1619 2758 00	AR	SEAL GASKET	
2400	1617 2848 00	1	LABEL (MAX.AIR INLET TEMP.70)	(31/12/2030 - ...)
2450	1830 0506 21	1	PANEL	(31/12/2030 - ...)
2452	1619 2766 00	2	SCR.BOLT M8X20	(31/12/2030 - ...)

Legend:

COOL:AIR - Cooling:Air cooled

MODEL:VDR6350A1 - Model:VDR6350

MODEL:VDR8450A1 - Model:VDR8450



1837 0115 27_01

16 - Bodywork - Watercooled - Nano

COOL:WATER + (MODEL:VDR6350A1 , MODEL:VDR8450A1)



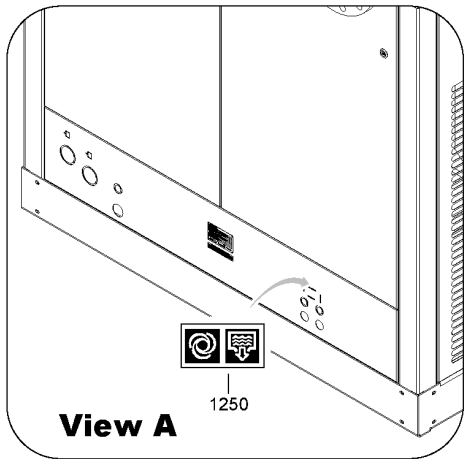
Ref	Part Number	Qty	Name	Validity
1150	1830 0506 11	1	ROOF	(31/12/2030 - ...)
	• 1629 1927 00	2	SUPPORT	
	• 0129 3121 00	4	RIVET	
1152	0147 1963 08	8	SCREW HEX. M8X25 WITH WASHER	(31/12/2030 - ...)
1200	1830 0506 12	1	ROOF	(31/12/2030 - ...)
1202	0147 1963 08	6	SCREW HEX. M8X25 WITH WASHER	(31/12/2030 - ...)
2100	1830 0506 23	1	PANEL	(31/12/2030 - ...)
	• 1613 8485 00	2	LOCK	
	• 1619 2758 00	AR	SEAL GASKET	
2150	1830 0506 24	1	PANEL	(31/12/2030 - ...)
	• 1619 2758 00	AR	SEAL GASKET	
	• 1619 2758 00	AR	SEAL GASKET	
	• 1613 8485 00	2	LOCK	
	• 1830 0506 35	1	DECAL	
2200	1830 0506 25	4	PANEL	(31/12/2030 - ...)
	• 1613 8485 00	2	LOCK	
	• 1619 2758 00	AR	SEAL GASKET	
2250	1830 0506 19	4	PANEL	(31/12/2030 - ...)
	• 1613 8485 00	2	LOCK	
	• 1619 2758 00	AR	SEAL GASKET	
2300	1830 0506 15	1	PANEL	(31/12/2030 - ...)
	• 1613 8485 00	2	LOCK	
	• 1619 2758 00	AR	SEAL GASKET	
2350	1830 0506 16	1	PANEL	(31/12/2030 - ...)
	• 1613 8485 00	2	LOCK	
	• 1619 2758 00	AR	SEAL GASKET	
	• 1619 2758 00	AR	SEAL GASKET	
2400	1617 2848 00	1	LABEL (MAX.AIR INLET TEMP.70)	(31/12/2030 - ...)
2450	1830 0506 21	1	PANEL	(31/12/2030 - ...)
2452	1619 2766 00	2	SCR.BOLT M8X20	(31/12/2030 - ...)

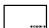
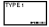

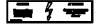

Legend:

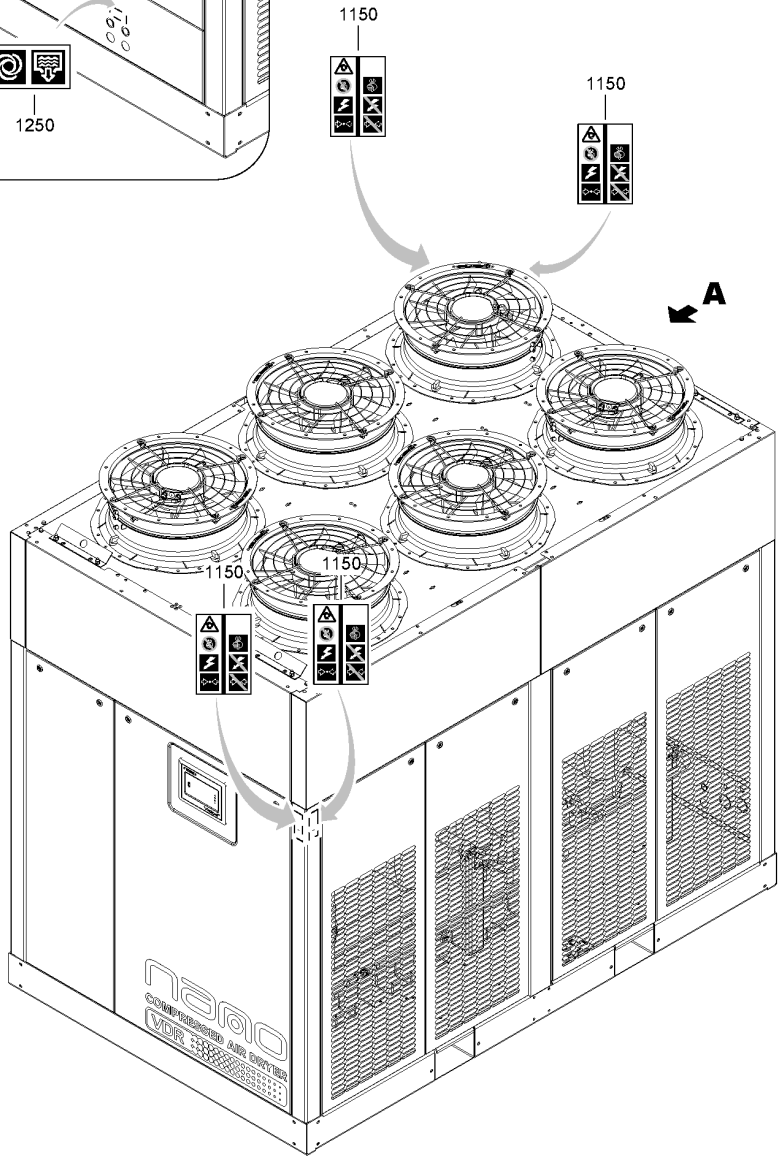
COOL:WATER - Cooling:Water cooled

MODEL:VDR6350A1 - Model:VDR6350

MODEL:VDR8450A1 - Model:VDR8450



-  — 2010
-  — 2030
-  — 2040
-  — 2050
-  — 2060



1609 0013 64-1837 0115 29_01

17 - Marking - Nano

MODEL:VDR6350A1 , MODEL:VDR8450A1



Ref	Part Number	Qty	Name	Validity
1150	1079 9901 09	4	DECAL FD280	(31/12/2030 - ...)
1250	1079 9915 89	1	LABEL FD280 & 560-1200 & ID'S	(31/12/2030 - ...)
2010	1613 5330 10	1	LISTING MARK	(20/08/2021 - ...) EAPPR:CULUS
2030	1079 9911 01	1	DECAL	(20/08/2021 - ...) EAPPR:CULUS
2040	1079 9923 72	2	DECAL	(20/08/2021 - ...) EAPPR:CULUS
2050	1613 3431 00	1	LABEL	(20/08/2021 - ...) EAPPR:CULUS
2060	2204 2199 00	1	DECAL WARNING	(20/08/2021 - ...) EAPPR:CULUS

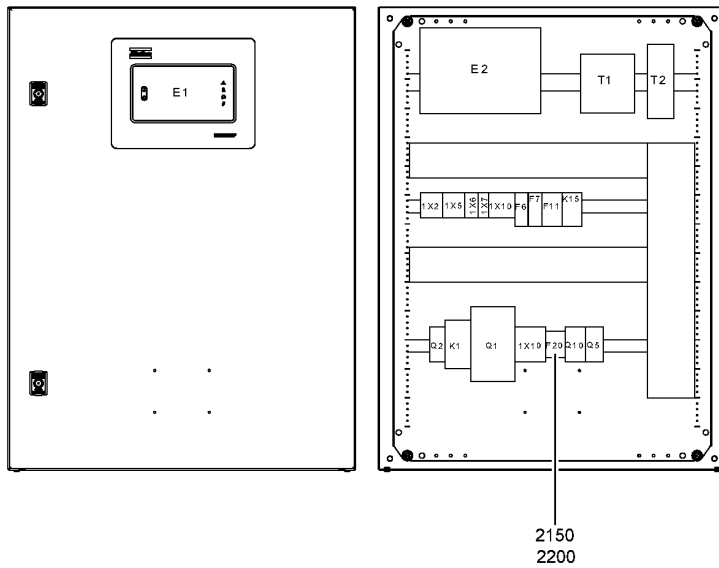
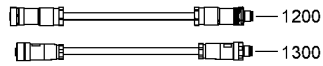
Legend:

EAPPR:CULUS - Electrical approval:cULus

MODEL:VDR6350A1 - Model:VDR6350

MODEL:VDR8450A1 - Model:VDR8450

Not Illustrated			
Ref	Part Number	Designation	Qty
2250	1088 0021 91	Housing with contact	6
2300	1088 0021 90	Connector	6



1609 0014 69-70_01

18.1 - Control Panel

COOL:AIR



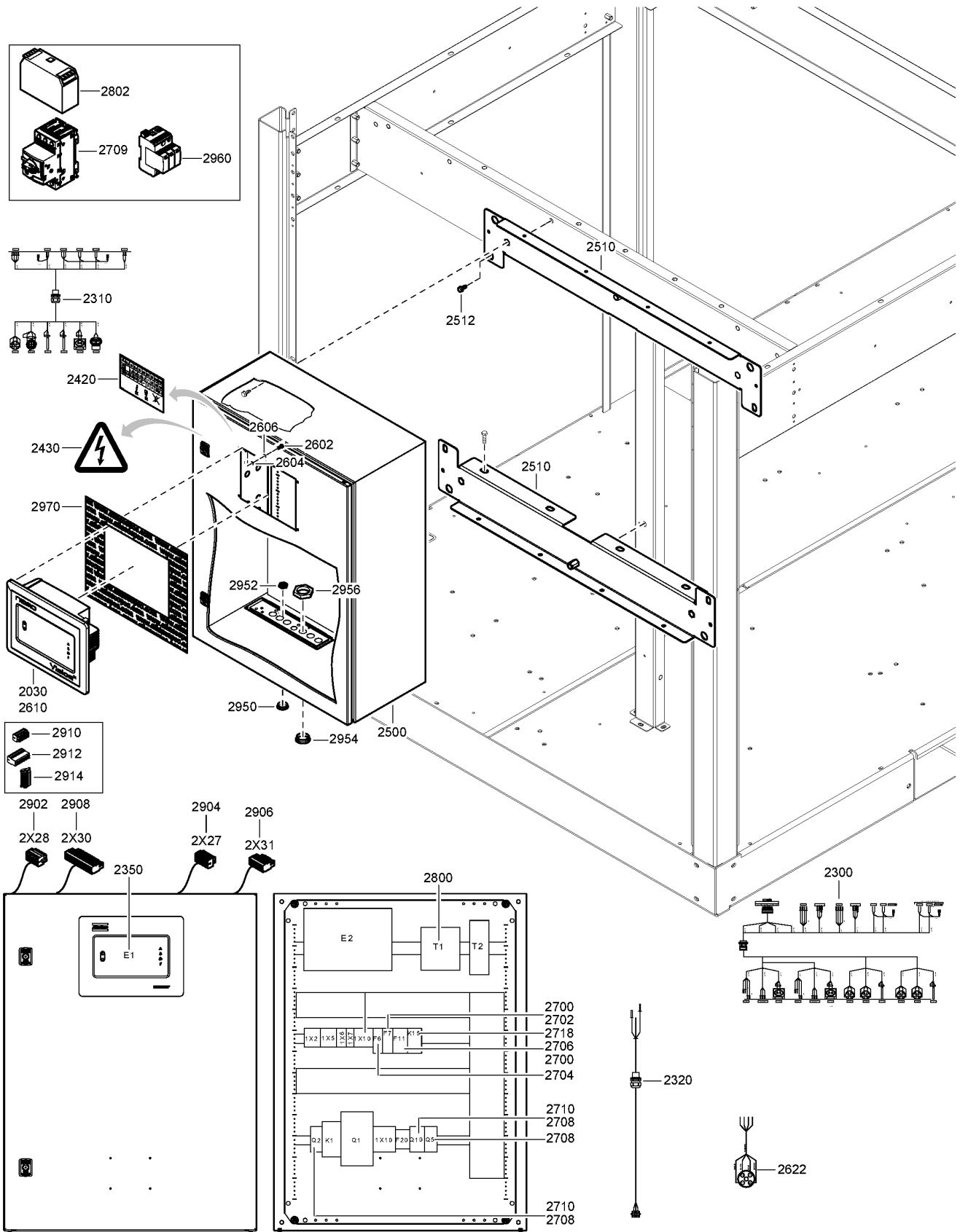
Ref	Part Number	Qty	Name	Validity
1200	1629 1872 00	6	WIRING	(20/08/2021 - ...)
1300	1629 1873 00	6	WIRING	(20/08/2021 - ...)
	1900 5113 31	1	ELECTR. SYSTEM	(20/08/2021 - ...) EAPPR:IEC
	1900 5113 32			(20/08/2021 - ...) EAPPR:CULUS
2150	• 1089 9168 65	6	FUSE	(20/08/2021 - ...) EAPPR:IEC
2150	• 1089 9168 42	6	FUSE	(20/08/2021 - ...) EAPPR:CULUS
2200	• 1089 0612 03	1	HOLDER	(20/08/2021 - ...)
2250	• 1088 0021 91	6	HOUSING WITH CONTACT	(20/08/2021 - ...)
2300	• 1088 0021 90	6	CONNECTOR	(20/08/2021 - ...)

Legend:

COOL:AIR - Cooling:Air cooled

EAPPR:CULUS - Electrical approval:cULus

EAPPR:IEC - Electrical approval:IEC



1837 0117 82_01

18.2 - Cubicle Box - cULus - VDR 6350/ 8450

EAPPR:CULUS + (MODEL:VDR6350A1 , MODEL:VDR8450A1)



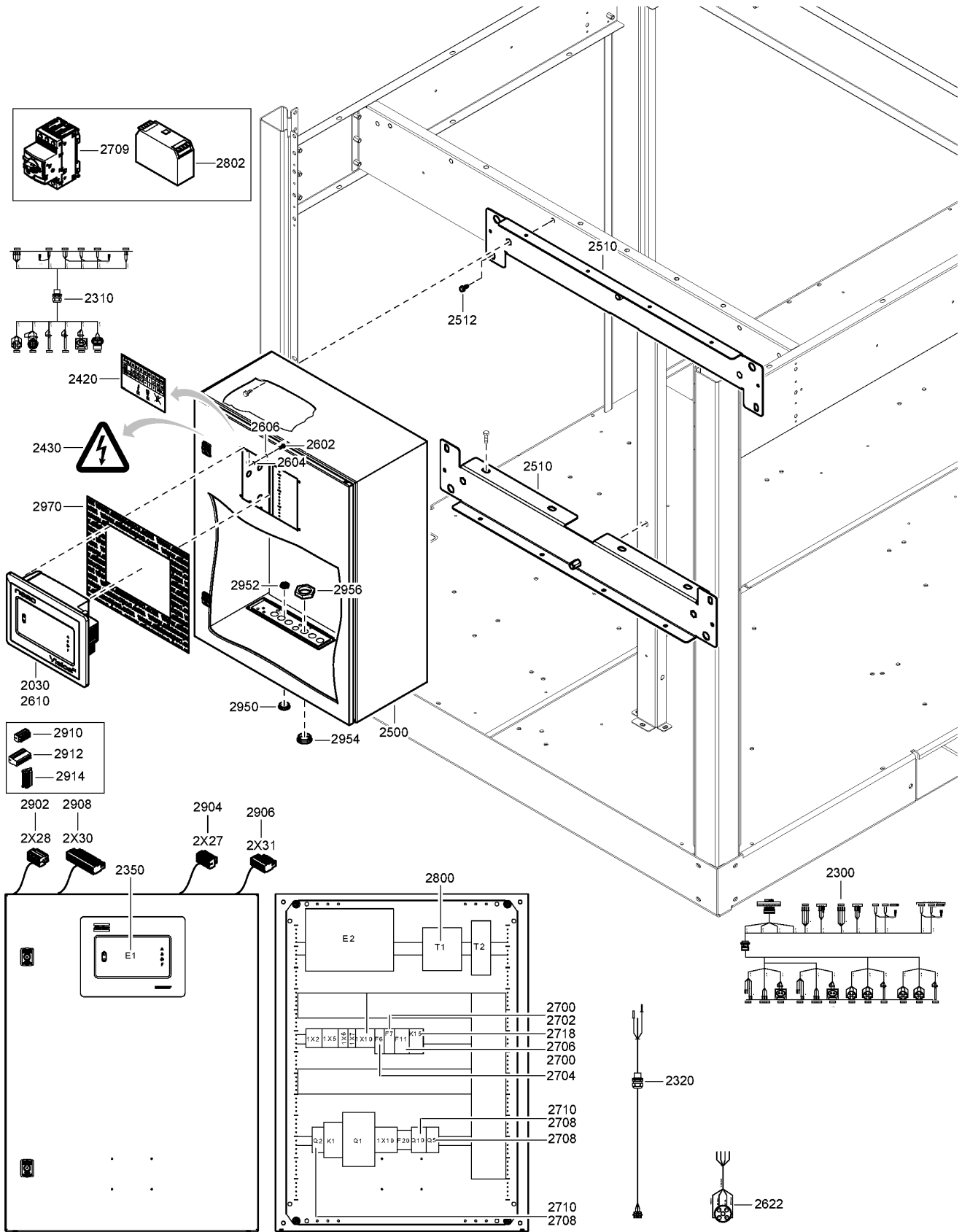
Ref	Part Number	Qty	Name	Validity
	1629 1889 00	1	RACEWAY	(31/12/2030 - ...)
	0991 8010 05	2	CONNECTOR	(31/12/2030 - ...)
	1619 2766 00	2	SCR.BOLT M8X20	(31/12/2030 - ...)
	1900 5506 11	1	ELECTR. SYSTEM	(31/12/2030 - ...)
2030	• 1900 5205 80	1	BP MK5S NANO VISION 1 TOUCH	
2300	• 1629 1958 00	1	WIRING	
2310	• 1830 0331 08	1	WIRE HARNESS	
2320	• 1629 0844 00	1	WIRING	
2350	• 1622 5099 04	1	ELEKTRONIKON CABLE	
2420	• 1079 9906 09	1	DECAL	
2430	• 1088 1001 01	1	WARNING MARK	
2500	• 1830 0330 29	1	CUBICLE	
2510	• 1627 6946 00	2	SUPPORT	
2512	• 0147 1963 08	4	SCREW HEX. M8X25 WITH WASHER	
2602	• 0147 1170 03	4	HEX. HEAD SCREW M4 X 10	
2604	• 0301 2315 00	4	PLAIN WASHER(A) 4.3 X 9 X 0.8	
2606	• 0333 3214 00	4	LOCK WASHER(A) 4.3 X 8 X 0.5	
2610	• 1900 5201 02	1	MK5(S) EXPANSION MODULE IO5	
2622	• 1627 8003 01	4	CABLE CONTROL	
2700	• 1089 9604 99	2	CONTACT	
2702	• 1089 9604 06	1	CIRCUIT BREAK	
2704	• 1089 9604 30	1	CIRCUIT BREAK	
2706	• 1089 9604 26	1	CIRCUIT BREAK	
2708	• 1089 9551 33	2	CIRCUIT BREAK.	
2709	• 1089 9551 18	1	CIRCUIT BREAK.	
2710	• 1089 9551 97	2	CIRCUIT BREAK	
2718	• 1089 9413 56	1	CIRCUIT BREAK	
2800	• 1089 9514 38	1	TRANSFORMER	
2802	• 1089 9544 35	1	1089954435	
2902	• 1088 0037 80	1	CONNECTOR	
2904	• 1088 0037 81	2	CONNECTOR	
2906	• 1088 0031 26	1	CONTACT	
2908	• 1088 0031 32	1	CONTACT	
2910	• 1088 0037 82	1	CONNECTOR	
2912	• 1088 0037 84	1	CONNECTOR	
2914	• 1088 0037 83	1	CONNECTOR	
2950	• 0697 9810 25	12	PLUG	
2952	• 0697 9809 55	12	NUT	
2954	• 0697 9810 28	1	PLUG	
2956	• 0697 9809 51	1	NUT	
2960	• 1089 0648 48	1	SURGE PROTECTION DEVICE	
2970	• 1830 0337 98	1	DECAL	

Legend:

EAPPR:CULUS - Electrical approval:cULus

MODEL:VDR6350A1 - Model:VDR6350

MODEL:VDR8450A1 - Model:VDR8450



1837 0117 83_01

18.3 - Cubicle Box - IEC - VDR 6350/ 8450

EAPPR:IEC + (MODEL:VDR6350A1 , MODEL:VDR8450A1)



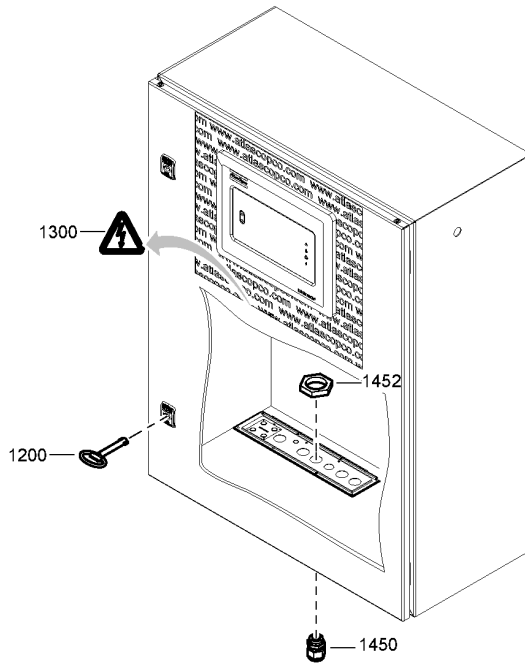
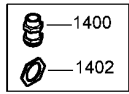
Ref	Part Number	Qty	Name	Validity
	1629 1889 00	1	RACEWAY	(31/12/2030 - ...)
	0991 8010 05	2	CONNECTOR	(31/12/2030 - ...)
	1619 2766 00	2	SCR.BOLT M8X20	(31/12/2030 - ...)
	1900 5506 12	1	ELECTR. SYSTEM	(31/12/2030 - ...)
2030	• 1900 5205 80	1	BP MK5S NANO VISION 1 TOUCH	
2300	• 1629 1958 00	1	WIRING	
2310	• 1830 0331 08	1	WIRE HARNESS	
2320	• 1629 0844 00	1	WIRING	
2350	• 1622 5099 04	1	ELEKTRONIKON CABLE	
2420	• 1079 9906 09	1	DECAL	
2430	• 1088 1001 01	1	WARNING MARK	
2500	• 1830 0330 29	1	CUBICLE	
2510	• 1627 6946 00	2	SUPPORT	
2512	• 0147 1963 08	4	SCREW HEX. M8X25 WITH WASHER	
2602	• 0147 1170 03	4	HEX. HEAD SCREW M4 X 10	
2604	• 0301 2315 00	4	PLAIN WASHER(A) 4.3 X 9 X 0.8	
2606	• 0333 3214 00	4	LOCK WASHER(A) 4.3 X 8 X 0.5	
2610	• 1900 5201 02	1	MK5(S) EXPANSION MODULE IO5	
2622	• 1627 8003 01	4	CABLE CONTROL	
2700	• 1089 9604 99	2	CONTACT	
2702	• 1089 9604 06	1	CIRCUIT BREAK	
2704	• 1089 9604 30	1	CIRCUIT BREAK	
2706	• 1089 9604 26	1	CIRCUIT BREAK	
2708	• 1089 9551 33	2	CIRCUIT BREAK.	
2709	• 1089 9551 18	1	CIRCUIT BREAK.	
2710	• 1089 9551 97	2	CIRCUIT BREAK	
2718	• 1089 9413 56	1	CIRCUIT BREAK	
2800	• 1089 9514 38	1	TRANSFORMER	
2802	• 1089 9544 35	1	1089954435	
2902	• 1088 0037 80	1	CONNECTOR	
2904	• 1088 0037 81	2	CONNECTOR	
2906	• 1088 0031 26	1	CONTACT	
2908	• 1088 0031 32	1	CONTACT	
2910	• 1088 0037 82	1	CONNECTOR	
2912	• 1088 0037 84	1	CONNECTOR	
2914	• 1088 0037 83	1	CONNECTOR	
2950	• 0697 9810 25	12	PLUG	
2952	• 0697 9809 55	12	NUT	
2954	• 0697 9810 28	1	PLUG	
2956	• 0697 9809 51	1	NUT	
2970	• 1830 0337 98	1	DECAL	

Legend:

EAPPR:IEC - Electrical approval:IEC

MODEL:VDR6350A1 - Model:VDR6350

MODEL:VDR8450A1 - Model:VDR8450



1609 0014 71-72_01

18.4 - Electrical Components

COOL:AIR , COOL:WATER

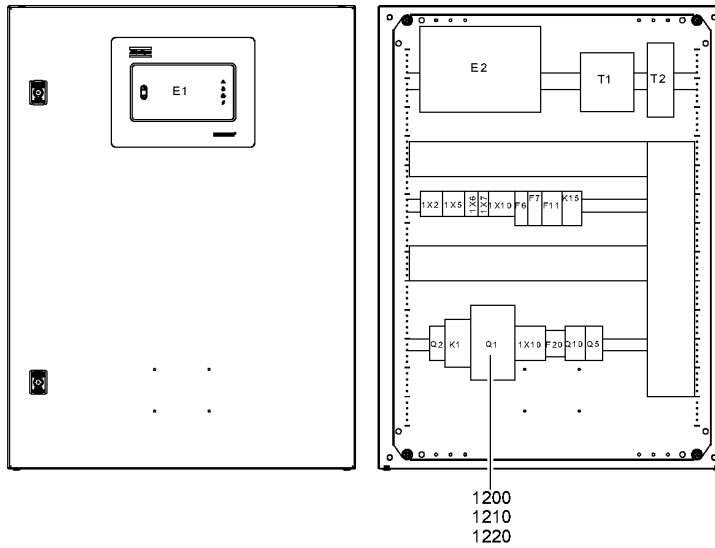
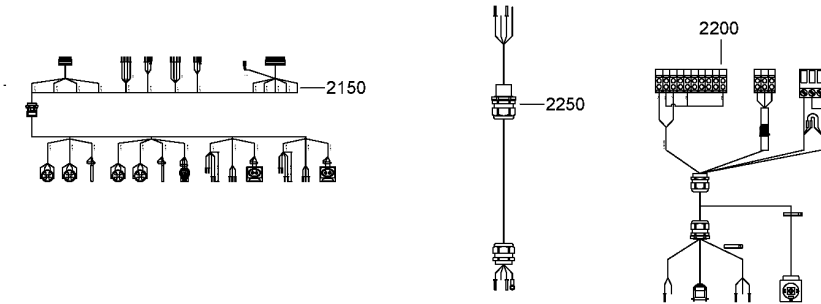


Ref	Part Number	Qty	Name	Validity
1200	1089 9154 02	2	KEY ELEC CUBE 0101AI	(20/08/2021 - ...)
1250	1089 9068 01	2	KEY	(20/08/2021 - ...)
1300	1088 1001 01	7	WARNING MARK	(20/08/2021 - ...)
1302	1088 1001 02	1	WARNING MARK MD50/1800 FD280	(20/08/2021 - ...)
1350	0348 0102 11	8	STRIP	(20/08/2021 - ...)
1352	0348 0102 12	15	STRIP	(20/08/2021 - ...)
1354	0348 0101 24	30	TIE	(20/08/2021 - ...)
1356	0348 0101 26	10	TIE	(20/08/2021 - ...)
1400	0698 5141 23	1	CABLE GLAND	(20/08/2021 - ...)
1402	0697 9809 55	1	NUT	(20/08/2021 - ...)
1450	0698 5141 26	1	CABLE GLAND	(20/08/2021 - ...)
1452	0697 9809 57	1	NUT	(20/08/2021 - ...)

Legend:

COOL:AIR - Cooling:Air cooled

COOL:WATER - Cooling:Water cooled



1900 5113 34-35-43_01

Ref	Part Number	Qty	Name	Validity
	1900 5113 43	1	ELECTR. SYSTEM	(31/12/2030 - ...)
1200	• 1089 9489 89	1	CONTACTOR	
1210	• 1089 9413 63	1	MOTOR STARTER	
1220	• 1089 9551 97	1	CIRCUIT BREAK	
2150	1629 1878 00	1	WIRING	(31/12/2030 - ...) MODEL:VDR8450A1
2150	1629 1880 00	1	WIRING	(31/12/2030 - ...) MODEL:VDR6350A1
2200	1629 1887 00	1	WIRING	(31/12/2030 - ...)
2250	1629 1876 00	1	WIRING	(31/12/2030 - ...)

Legend:

MODEL:VDR6350A1 - Model:VDR6350

MODEL:VDR8450A1 - Model:VDR8450



Experience. Customer. Service.