

nano



# User guide

## B1 breathing air purifier

revision: 2022-089 document: 17-100-0400  
© 2022 Air & Gas Solutions LLC  
[www.n-psi.co.uk](http://www.n-psi.co.uk)

## Experience.

Our team is comprised of and supported by individuals spanning all disciplines from research & development, engineering & manufacturing, marketing & sales and service & support. Our backgrounds are in air and gas purification and our experience in this field spans a wide range of industries. We combine this knowledge and experience to ensure our products and services are designed and provided to meet the objectives and expectations of you - our Customer.



## Customer.

We recognise that our Customers are not only our valuable distribution partners who sell and support our products or the machine builders who depend on them as protection for their equipment. They are the contractors who install them, the manufacturers who use them in their processes and the service people who maintain them. At nano we have developed our products, packaging and support materials to ensure they exceed all of our Customers' expectations.



## Service.

At nano we recognise that world-class customer service is the most important component to any successful business. Your business needs to exceed your customers' expectations to stand out from your competitors and our service must positively impact your business so you can be successful in doing so. Our commitment is simple... we will stand behind our products and ensure that our customer service is unrivaled in the industry.



Experience. Customer. Service.

# table of contents

<b>section</b>	<b>description</b>	<b>page</b>	
1	1.	general information	4
	1.1	document introduction	
	1.2	warranty guidelines	
	1.3	general safety	
	1.4	intended use of the product	
2	2.	technical specification	5
	2.1	flow rates	6
	2.2	product dimensions	
	2.3	product overview	7
	2.4	typical system layout	8
	2.5	site location	
	2.6	operation	9
	2.7	remote start/stop control	10
	2.8	remote stop control	11
	2.9	shutdown procedure	12
3	3.	monitoring dryer performance (when ES option is fitted)	13-15
	3.1	maintenance	16
	3.2	cleaning	
	3.3	daily checks	
	3.4	service schedule and breakdown	17
4	4.	trouble shooting	18
	4.1	process and instrumentation diagram	19
	4.2	wiring diagram	20
	notes	21-23	



# B1

## breathing air purifier

### 1. general information

This manual is copyrighted, all rights reserved. It may not, in whole or in part, be copied, photocopied, reproduced, translated, or reduced to any electronic medium or machine readable form without prior consent in writing from Air & Gas Solutions. It may not be distributed through the internet or computer bulletin board systems without prior consent from Air & Gas Solutions.

#### 1.1 document introduction

This manual provides factory prescribed installation and maintenance procedures for the breathing air purifier. The procedures illustrated in this document are only to be performed by authorized personnel. For further information regarding the procedures outlined in this document contact the manufacturer before proceeding. Be sure to read this document carefully before attempting to install or operate the breathing air purifier. This document should be permanently available at the breathing air purifier installation site.

#### 1.2 warranty guidelines

All products are supplied with a 2 year manufacturer's warranty from the date of purchase when installed and maintained in accordance with the manufacturers guidelines. Only genuine service parts should be used and no modifications made.

#### 1.3 general safety

No modifications must be made to the product. Any modifications may reduce the operational safety of the product and invalidate the manufacturer's warranty. This could potentially result in damage to the product and serious personal injury.

For your own safety, when carrying out work on this product, all relevant national safety regulations must be complied with relating to pressurized and electrical systems.

Only authorized, competent and trained personnel are permitted to work on this product. This user guide is intended solely for such personnel and is to be used only as a reference; it should not be used to replace conventional training.

#### 1.4 intended use of the product

The breathing air purifier is exclusively intended for the treatment of compressed air, which is free from bulk water, oil and solid matter constituents.

The product should be located within a building and protected from extreme conditions and weather. The breathing air purifier must be operated only in accordance with the data on the rating plate. Any operations that do not comply with those stated on the product rating label will render the warranty void



### annotations



**CAUTIONS:** indicate any situation or operation that may result in potential damage to the product, injury to the user, or render the product unsafe.



**NOTES:** highlight important sections of information where particular care and attention should be paid.



**WARNING:** This product can expose you to chemicals including lead, which is known to the State of California to cause cancer and/or birth defects or other reproductive harm. For more information, go to [www.P65Warnings.ca.gov](http://www.P65Warnings.ca.gov).

# B1

## breathing air purifier



## 2. technical specification

specifications	standard	options
maximum water content (ISO class)	class 2 -40°C (-40°F) pdp	class 1: -70°C (-94°F) pdp
minimum operating pressure	4 barg (58 psig)	-
maximum operating pressure	16 barg (232 psig)	-
recommended operating temp range	1.5 to 35°C (35 to 95°F)	-
design operating temperature range	1.5 to 50°C (35 to 122°F)	-
power supply requirements	100-240V AC @ 50-60 Hz	24V DC
consult rating label, options operating parameters may differ		

*ISO Class 2 at recommended max rated flow at 7 Barg and 25°C inlet; see correction factors*

### 2.1 flow rates

model	inlet flow rate		connection	
	Nm3/hr	scfm	inlet	outlet
NBA-030	13	8.1	3/8" BSPP	3/8" BSPP
NBA-040	20	12.5		
NBA-050	32	19.9		

*Units supplied with push fit connections*

Inlet Pressure Correction Factors												
barg	4	5	6	7	8	9	10	11	12	13	14	16
psig	58	72	87	101	116	130	145	159	188	203	217	232
correction factor	0.63	0.75	0.88	1	1.13	1.25	1.38	1.50	1.63	1.75	1.88	2.13

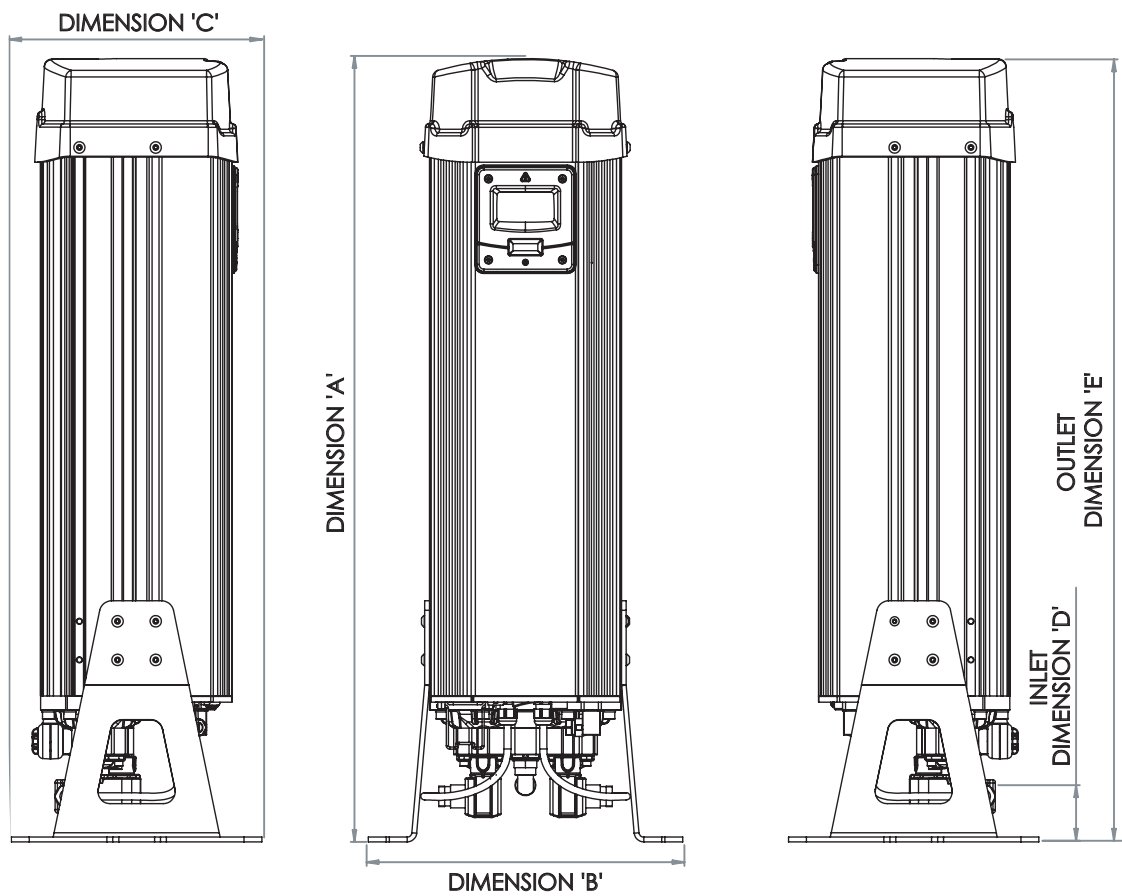
Inlet Temperature Correction Factors										pressure dew-point				
°C	5	10	15	20	25	30	35	40	45	50	°C	-20	-70	
°F	41	50	59	68	77	86	95	104	113	122	°F	-4	-94	
correction factor	0.8	0.9	0.94	1	1	0.98	0.95	0.9	0.85	0.72	correction factor	1.10	1.00	0.70



# B1

## breathing air purifier

### 2.2 product dimensions



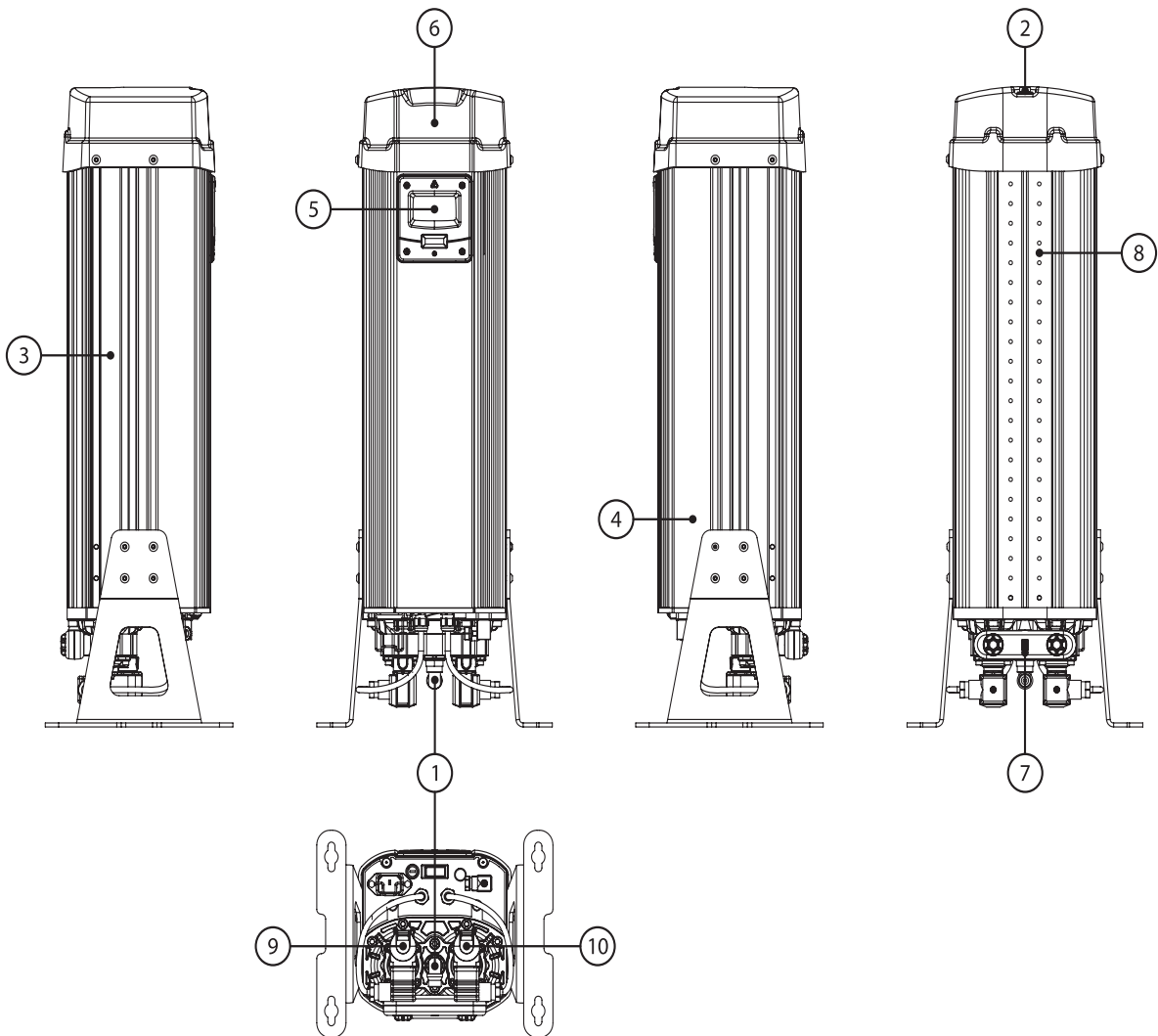
model	dimension										weight	
	A		B		C		D		E		kg	lbs
	mm	inches	mm	inches	mm	inches	mm	inches	mm	inches		
NBA-030	649	25.5			222	8.7			649	25.5	9.0	20
NBA-040	889	35.0	264	10.3	330	13.0	47	1.8	889	35	9.0	20
NBA-050	1189	47			330	13.0			1181	46.5	13.5	30

# B1

## breathing air purifier



### 3. product overview



number	description	number	description
1	compressed air inlet	6	dryer top cover
2	air outlet	7	exhaust box
3	column	8	exhaust muffler
4	shroud	9	exhaust valve 'A'
5	control panel display	10	exhaust valve 'B'



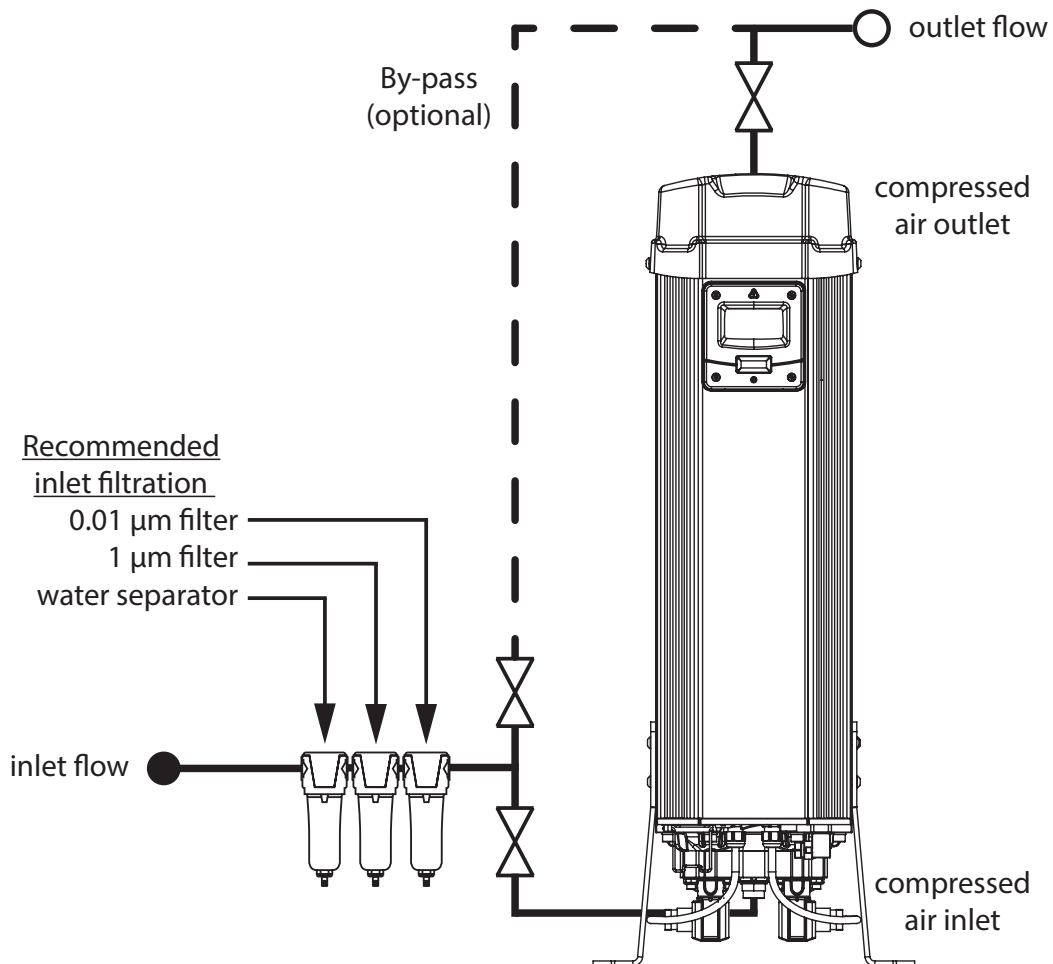
# B1

## breathing air purifier

### 3.1 typical system layout



**IMPORTANT:** It is essential that the system into which the unit is installed is fitted with a pressure limiting/relief device. This device should be installed between the compressor and the unit.





# B1



## breathing air purifier

### 3.2 site location

When selecting an installation site for the unit, ensure the following conditions are met:

- Installation site should be located indoors on a flat surface protected from the weather and other harmful conditions.
- The ambient temperature must not drop below 1.5°C (34.7°F) or exceed 50°C (122°F).
- The installation site should be level and able to support the weight of the product.
- Ensure sufficient space around the product, to allow access for operation and maintenance.
- Take into account the noise generated by the unit exhausting while in use when considering location.

### 3.3 wall mounting

- All B1 units can be configured so they may be wall mounted. Locate and remove the leg mounting screws using the allen key provided.
- Remove the legs and rotate 90°.
- Align the legs and insert the leg mounting screws and tighten.
- Align the additional wall mounting brackets with the mounting holes located near the top of the unit  
*(Only Applicable to NDL-040 & 050)*
- Insert the additional mounting screws and tighten using the allen key provided.



**All NDL-010, 020 & 030 units can use the standard leg supplied with the product. These can be configured to allow for wall mounting. All NDL-040 & 050 units are recommended to have the additional wall mounting kit (sold separately) fitted due to the size and weight of the unit.**

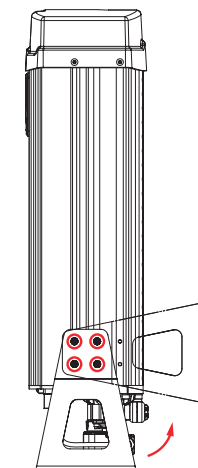


Figure 1

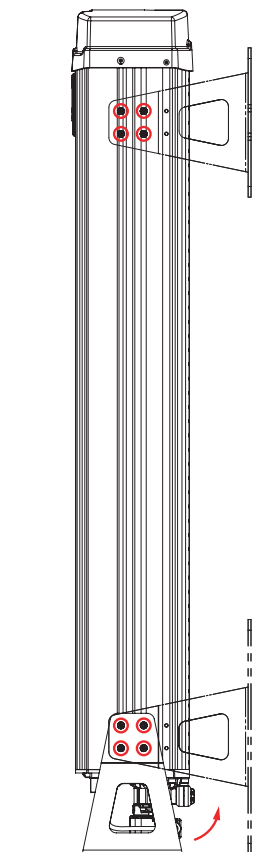


Figure 2



# B1

## breathing air purifier

### 3.4 operation

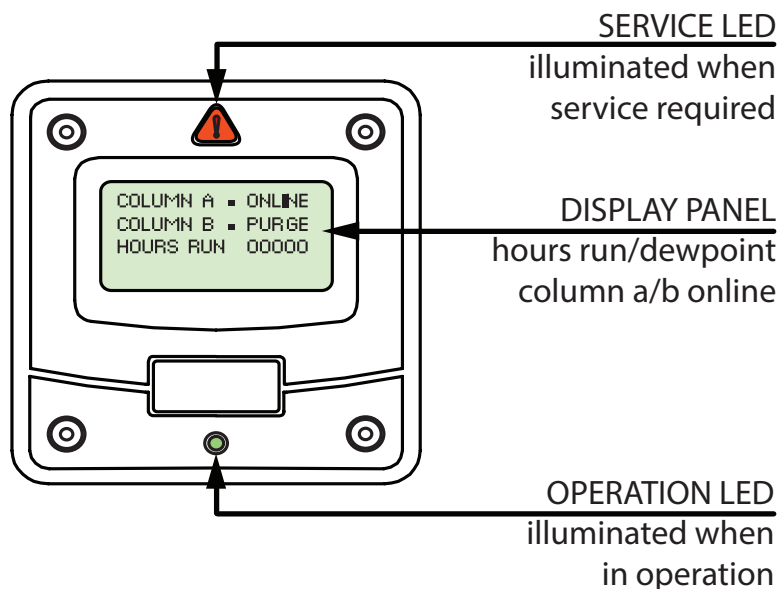


**Do not allow the unit to flow air unless switched on and cycling.  
Resulting effect could be desiccant contamination; requiring a desiccant service.**

- Ensure all pipe work is connected as per the typical layout
- The unit is connected with a power supply as stated on the rating label.
- Ensure the inlet air pressure is within limits as stated on the rating label on the product.
- Ensure the inlet air temperature is within limits as stated on the rating label on the product.
- Slowly open the inlet flow and allow the unit to pressurize
- Turn on the power to the unit, the unit will display its' status.
- Allow the unit to cycle at least 2 times before slowly opening the outlet flow.
- In case of using the Remote Start/Stop function, ensure external voltage is active.



**This unit must be grounded. In the event of an electrical short circuit, grounding reduces the risk of electric shock by providing an escape wire for the electric current. This unit is equipped with a cord having a grounding wire with an appropriate grounding plug.**





## breathing air purifier

### 3.3 remote start/stop control

To gain access to the remote start/stop feature:

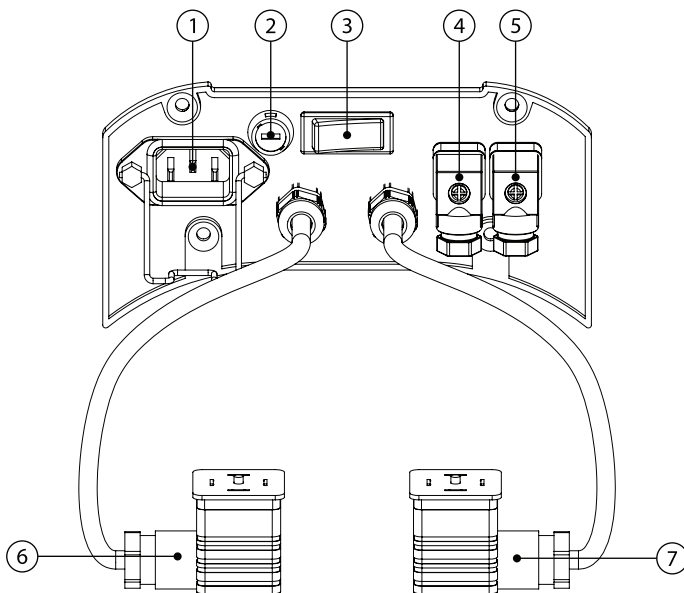
- Locate electrical connector 4. Remove the screw from electrical connector.
- Remove the electrical connectors cover.
- Locate and remove the link between pins 1 and 4.
- A zero volt switching signal from the remote control needs to be connected between pins 1 and 4.
- When the connection is made, the unit will operate as normal. If the connection is broken, i.e. the unit has been remotely switched off, the unit will stop cycling and go into standby mode, displaying "REMOTE STOP ACTIVE".
- Re-attach the electrical connectors cover and screw back onto the control plate.
- Using remote stop / start ensures the correct shut-down sequence is implemented.



**Under no circumstances should an external voltage or current be applied to any of these wires, as damage to the control system will occur, negating the warranty.**



**IMPORTANT: Ensure the mains is isolated/switched off prior to the service of the product. Under no circumstances should the controller be used without being fitted to the product. This product should be connected to a grounded, metallic, permanent wiring system or an equipment-grounding terminal or lead.**



number	description
1	IEC mains inlet connection
2	Fuse Holder (1.6A)
3	Unit On/Off Switch
4	Remote Start & Alarms Feature
5	Emergency Stop (Remote Override)
6	Exhaust Valve 'A' connector
7	Exhaust Valve 'B' connector



# B1

## breathing air purifier

### 3.4 emergency stop

To gain access to the emergency stop feature:

- Locate electrical connector 5. Remove the screw from electrical connector.
- Remove the electrical connectors cover.
- Using the connections available create a link between pins 1 and 4;

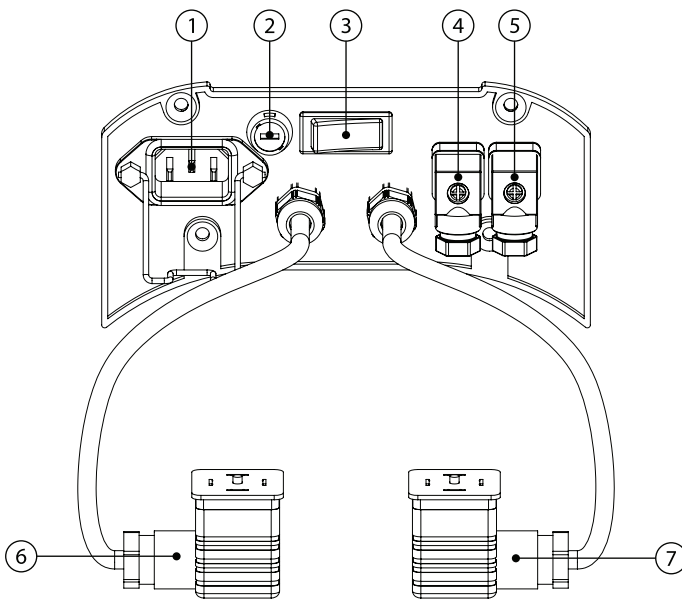
Pin 1: 24V DC + (Positive) Output

Pin 2: N/A

Pin 3: N/A

Pin 4: Remote Stop Input

- When the connection is made, i.e. the unit has been remotely switched off, the unit will stop cycling and go into standby mode, displaying "REMOTE STOP ACTIVE". If the connection is broken the unit will operate as normal.
- Re-attach the electrical connectors cover and screw back onto the control plate.
- Using emergency stop ensures the correct shut-down sequence is implemented.



number	description
1	IEC mains inlet connection
2	Fuse Holder (1.6A)
3	Unit On/Off Switch
4	Remote Start & Alarms Feature
5	Emergency Stop (Remote Override)
6	Exhaust Valve 'A' connector
7	Exhaust Valve 'B' connector

# B1



## breathing air purifier

### 3.7 shutdown procedure

Isolate unit from compressed air system.



**The unit will still be pressurized  
Ensure the unit is fully depressurized and isolated**

To fully depressurize, following the steps below;

- Cycle the dryer at least twice to ensure the unit exhausts and is completely depressurized.
- When fully depressurized the 'clicking' of the exhaust valves will be heard but no air exhausted.
- When the unit is fully depressurized, isolate from the electrical supply.



# B1

## breathing air purifier

### 3.8 monitoring dryer performance (when ES option is fitted)

The pressure dew-point is displayed on the display of the control panel. When the dew-point displayed is equal to or better than  $-40^{\circ}\text{C}$  ( $-40^{\circ}\text{F}$ ) PDP the dryer will switch into energy saving mode and stop cycling, resulting in zero purge, but no interruption in flow. When the dew-point degrades to  $-39^{\circ}\text{C}$  ( $-40^{\circ}\text{F}$ ) or higher, then the dryer will restart cycling ensuring the dew-point is maintained at or better than  $-40^{\circ}\text{C}$  ( $-40^{\circ}\text{F}$ ).

If during normal operation, the unit fails to achieve dew-point (degrades above  $-30^{\circ}\text{C}$  ( $-22^{\circ}\text{F}$ )) the dewpoint alarm output will be indicated on the front screen and the remote alarm output will activate.

The set levels for the ES and dewpoint alarm are adjustable and can be accessed by carefully removing the front bezel to expose the PLC and adjustment buttons.

Hold buttons A & B down for 8 seconds to access the menu shown on page 17 display 8.

Adjusting Dewpoint Settings	
<p>Hold down button 1 and button 3 for five seconds</p>	
<p>In the DEWPOINT SETTING menu, hold down the white button until the word 'Param' appears at the bottom of the screen</p> <p>Press button 4 once. The text will change to 'Prog'.</p> <p>The 'ES SETPOINT' line will begin to flash.</p>	
<p>Using the buttons, adjust the 'ES SETPOINT' or 'DWPNT ALARM'</p> <p>Button 1 is used to move up a line. Button 4 is used to move down a line. Button 2 is used to lower the value Button 3 is used to increase the value.</p>	
<p>Following any changes to the configuration, it is essential that the program is reverted back to 'Param'.</p> <p>Hold down the white button until 'Prog' is displayed at the bottom of the screen</p> <p>Once 'Prog' appears, press button 4 once. The text will change back to 'Param'.</p>	



*Beware, this is only an illustrative example.*

*Dewpoint set-points and alarms are adjustable through the display panel.*

# B1



## breathing air purifier

<b>1</b>	<b>Power-up Display (only visible on power start-up for 10 seconds)</b>	
<p>During power-up the screen will display:</p> <p>Program number followed by the version</p> <p>Total hours the product has operated</p> <p>This screen can be displayed at any time by pressing and holding buttons 1 &amp; 2 for two seconds</p>		<pre>PROGRAM NUMBER 99-100-0060-V1.1 TOTAL HOURS:+00000 x10,000:+00000 _____ ▲▼</pre>
<b>2</b>	<b>Normal Operation Display</b>	
<p>During normal operation the screen will display:</p> <p>Column 'A' and 'B' status, this will show as one of three sequences:</p> <p>ONLINE - column is flowing</p> <p>PURGE - column is regenerating</p> <p>READY - column is waiting to switch</p> <p>Hours the dryer has run between services</p>		<pre>COLUMN A: ONLINE COLUMN B: PURGE HOURS RUN: 00000 _____ ▲▼</pre>
<b>3</b>	<b>Service Re-set Display</b>	
<p>When due a service, the product display will show 'SERVICE REQUIRED'.</p> <p>After servicing the product, you will be required to reset the service hours run counter. When a magnet is held to the specified area on the dryer shroud for 10 seconds, the screen will display 'SERVICE RE-SET'. The hours run counter will revert back to zero.</p>		<pre>COLUMN A: ONLINE COLUMN B: PURGE HOURS RUN: 00000 SERVICE REQUIRED _____ ▲▼</pre> <pre>COLUMN A: ONLINE COLUMN B: PURGE HOURS RUN: 00000 SERVICE RE-SET _____ ▲▼</pre>
<b>4</b>	<b>Normal Operation Display (ES Models)</b>	
<p>During normal operation of an ES enabled product, the screen will constantly display the updated pressure dewpoint reading. This can be displayed in either degrees celcius or degrees fahrenheit, depending on how the controller is configured.</p> <p>Speak to the manufacturer about your requirements</p>		<pre>COLUMN A: ONLINE COLUMN B: PURGE HOURS RUN: 00000 -045 DEG C PDP _____ ▲▼</pre>



# B1

## breathing air purifier

<b>5</b>	<b>Energy Saving Mode Active Display (ES Models)</b>	
<p>While energy saving mode is active the screen will display:</p> <ul style="list-style-type: none"> <li>• Column 'A' status and Column 'B' status, this will be shown as;</li> <li>• ONLINE; this column is flowing</li> <li>• 'ENERGY SAVING MODE'</li> <li>• Hours the dryer has run between services/hours in ES mode</li> <li>• Constantly updated dew-point reading, this can be displayed in either degrees celcius or degrees fahrenheit.</li> </ul>		
<b>6</b>	<b>Dew-point Sensor Fault Display (ES Models)</b>	
<p>If a fault occurs with the dew-point sensor or the connection to the dew-point sensor, the screen will display;</p> <ul style="list-style-type: none"> <li>• Column 'A' status and Column 'B' status</li> <li>• Hours the dryer has run between services/hours in ES mode</li> <li>• 'DEWPT SENSOR FAULT'</li> </ul>		
<b>7</b>	<b>Dew-point Alarm Display (ES Models)</b>	
<p>If the dew-point sensor reading falls below the desired alarm limit the screen will display;</p> <ul style="list-style-type: none"> <li>• Column 'A' status and Column 'B' status</li> <li>• Hours the dryer has run between services/hours in ES mode</li> <li>• 'DEWPOINT ALARM'</li> </ul>		
<b>8</b>	<b>Energy Savings Adjustment Display (ES Models)</b>	
<p>When adjusting the ES set-point the screen will display;</p> <p>'ES SETPOINT' - This is the point at which the dryer activates ES mode. If the dewpoint is less than the ES set-point, ES mode activates. If the dewpoint is greater than the ES set-point, ES mode deactivates.</p> <p>'DWPNT ALARM' - this is the point that the dryer will activate the dewpoint alarm and remote alarms.</p> <p>'ES OVERRIDE' This is the maximum time in minutes that ES mode is continuously active before the dryer switches columns and performs a regeneration cycle.</p>		





## breathing air purifier

### 4. maintenance



**Maintenance operations should only be conducted once the system has been shut down and is fully depressurized. All operations should be carried out by authorized and suitably trained personnel**

- Isolate the unit from the compressed air and electrical supply ensuring the system is in a safe condition for maintenance to be carried out.
- All connections must be removed with care, paying particular attention to the areas that become pressurized.
- All seals removed during maintenance operations must be replaced with new seals.
- Only certified and approved replacement parts should be used.
- Do not modify or adjust the control settings.
- Check all connections and sealing faces for cleanliness and secure seating prior to assembly.
- Ensure all components are re-fitted to the product before operation.
- Check all connection and sealing faces for any leakage, if any found resolve and check again.
- Ensure the unit is left operating in a safe working condition after completion of maintenance

#### 4.1 cleaning

Clean the equipment with a damp cloth only and avoid excessive moisture around any electrical connections. If required a mild detergent can be used. Do not use abrasives/solvents as these may cause damage.

#### 4.2 daily checks

- Check the unit for any signs of external damage.
- If the red service indicator is active, the unit must be serviced to ensure continued operation.
- Remove any loose dust or dirt from the unit, clean all surfaces that appear to have attracted unwanted contaminants.
- Ensure the unit is operating within the specification.
- Always check all connections for any leaks.
- Ensure all loose parts are removed or secured to the unit before operation.



# B1

## breathing air purifier

### 4.3 service schedule and breakdown

service	year 1 (12 months)	year 2 (24 months)	year 3 (36 months)	year 4 (48 months)	year 5 (60 months)	year 6 (72 months)	year 7 (84 months)	year 8 (96 months)
<b>A</b>		✓		✓		✓		✓
<b>B</b>		✓		✓		✓		✓
<b>C</b>				✓				✓
<b>D</b> (ES MODELS ONLY)	✓	✓	✓	✓	✓	✓	✓	✓

**Service A** - Every 2 year (24 months) or 12,000 Hours  
Replace external exhaust silencer/muffler element

**Service B** - Every 2 year (24 months) or 12,000 Hours  
Replace desiccant cartridges  
Replace top manifold gasket seals  
Replace internal inlet & outlet ball valve & seals

**Service C** - Every 4 year (48 months) or 24,000 Hours  
Replace exhaust valves

**Service D** - Every 1 year (12 months)  
Calibrate dew-point sensor  
Applicable to ES models only



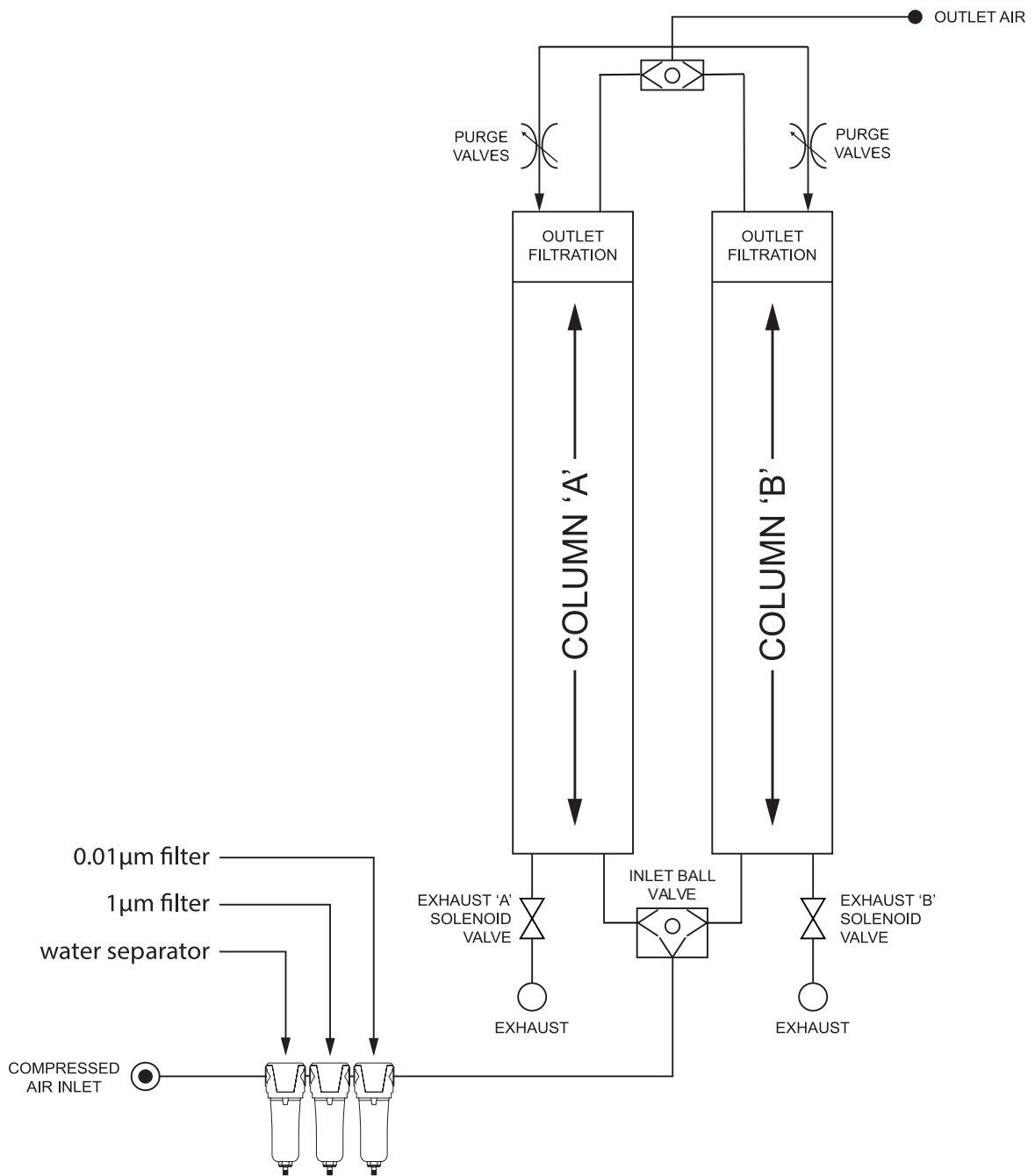
*When contacting your service provider be sure to provide the part number and serial number of your dryer*

# B1



## breathing air purifier

### 5. process and instrumentation diagram

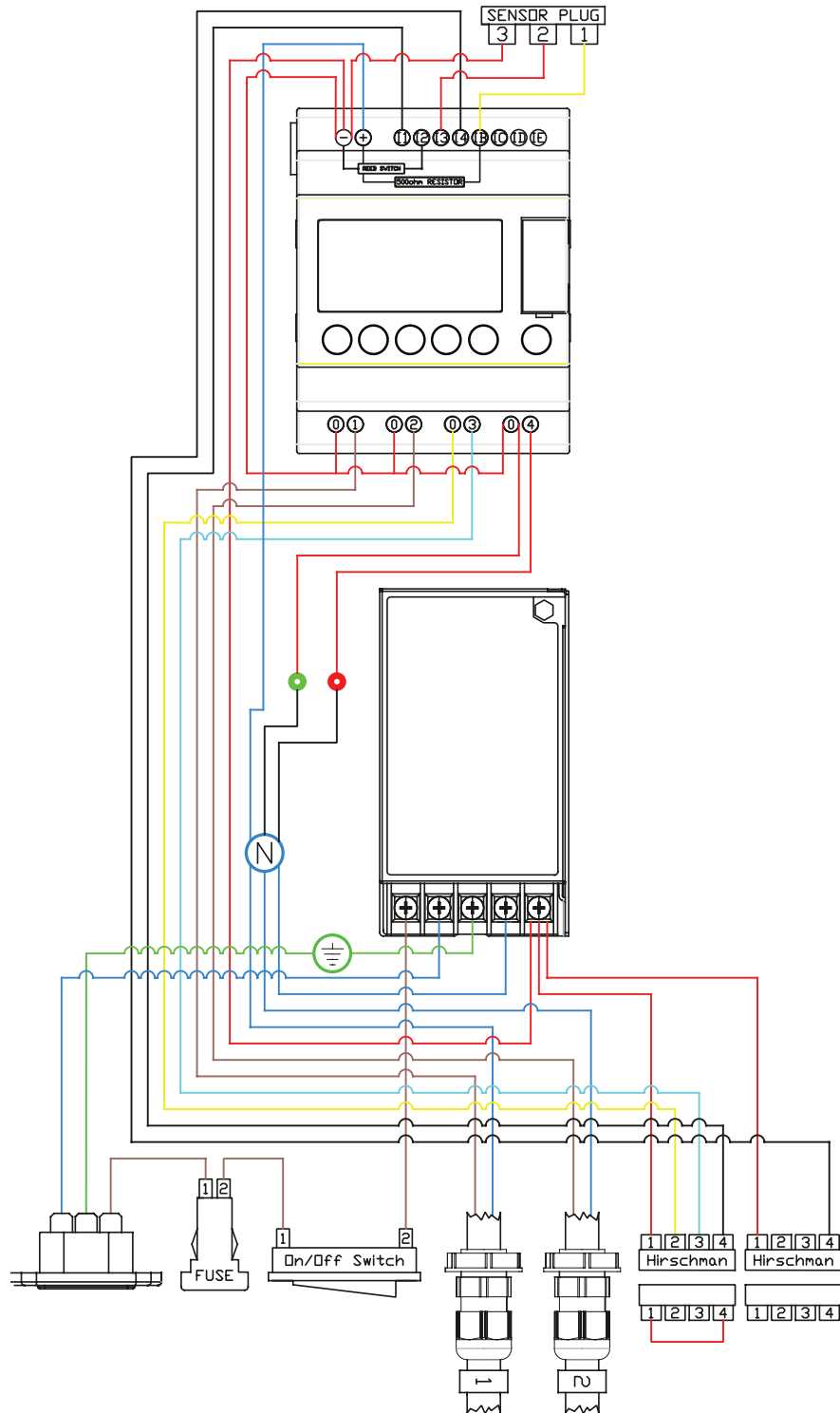




# B1

## breathing air purifier

### 6. wiring diagram



# B1



## breathing air purifier

### 7. trouble shooting

problem	problem caused	solution
Poor dew-point performance	Insufficient inlet pressure	4barg (58psig) minium inlet pressure required to operate, if not, check and restore system pressure
	Electrical fault	Ensure the power is on and the dryer front panel is illuminated; check the dryer is cycling correctly
	Moist or contaminated desiccant	Eliminate the cause of contamination, replace desiccant cartridges (do not re-use).
	Excessive inlet air temperature	Check against the technical specification
	Insufficient purge air	Purge incorrectly adjusted, consult the service personnel to adjust settings (factory pre-set). Consult Service Technician to adjust as per site condition
	Exhaust silencer blocked	Replace exhaust silencer/muffler element.
Failure of dryer to cycle	controller not functioning correctly	ensure the controller is powered up, check the on screen column status to ensure it is powering the solenoid valves during operation
	insufficient inlet pressure	4barg (58psig) minium inlet pressure required to operate, if not, check and restore system pressure
	controller not illuminated	Check power supply to the dryer, check fuse and replace.
	failure to de-pressurize when cycling	Solenoid valve not functioning correctly; if there is power to the coil, replace valve. Consult PLC display
	outlet flow stops	Check inlet air supply
	failure to initialize dryer	Switch off and restart dryer. Ensure dryer is pressurized before powering up to allow the dryer to initialize before operation.
	erratic air flow from exhaust	Faulty or damaged valves, carry out service



# B1

breathing air purifier

8. notes

A series of horizontal dotted lines for taking notes.

B1



breathing air purifier

notes

A series of horizontal dotted lines for taking notes.



nano

Experience. Customer. Service.



**nano-purification solutions**

gateshead, united kingdom  
tel: +44 (0) 191 497 7700  
sales@n-psi.co.uk  
www.n-psi.co.uk



**nano-purification solutions**

erkelenz, germany  
tel: +49 (0) 2151 482 8218  
sales@n-psi.de  
www.n-psi.de



**nano-purification solutions**

st. catharines, ontario, canada  
tel: +1 905 684 6266  
support@n-psi.com  
www.n-psi.com



**nano-purification solutions**

new bethlehem, pennsylvania  
tel: +1 724 297 3416  
airtak@airtak.com  
www.airtak.com



**nano-purification solutions**

charlotte, north carolina  
tel: +1 704 897 2182  
support@n-psi.com  
www.n-psi.com