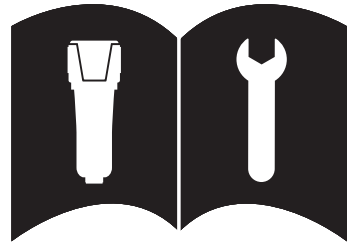


# nano



1340-NAN-310-01 - 10/18

[www.n-psi.com](http://www.n-psi.com)  
[www.n-psi.co.uk](http://www.n-psi.co.uk)

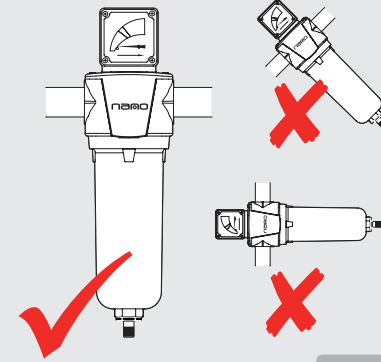


**WARNING:** This product can expose you to chemicals including lead, which is known to the State of California to cause cancer and/or birth defects or other reproductive harm. For more information, go to [www.P65Warnings.ca.gov](http://www.P65Warnings.ca.gov).

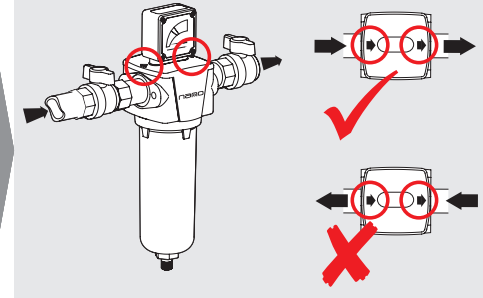


0 PSIG  
(0 BARG)

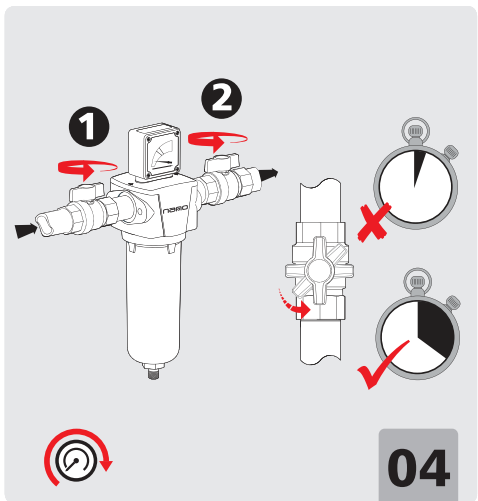
01



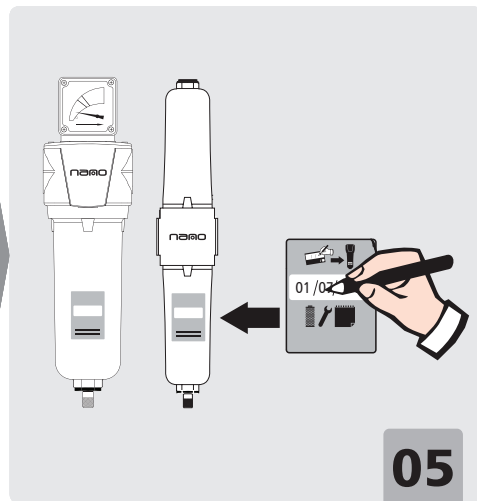
02



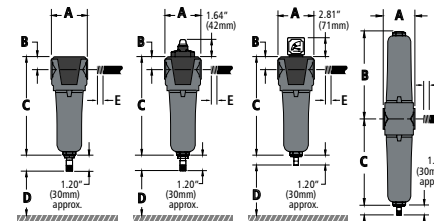
03



04



05



Operating Pressure psig (barg)	58 (4)	72 (5)	87 (6)	100 (7)	115 (8)	145 (10)	174 (12)	203 (14)	232 (16)
	0.76	0.84	0.92	1.00	1.07	1.19	1.31	1.41	1.51

**EN** Installation, maintenance and authorised disposal to be carried out by competent personnel only, in accordance with operating instructions, relevant standards, regulations and legal requirements. **DE** Installation, Wartung und Vernichtung dürfen nur von autorisiertem Fachpersonal und in Übereinstimmung mit der Bedienungsanleitung, den einschlägigen Normen, Vorschriften und gesetzlichen Bestimmungen durchgeführt werden. **FR** L'installation, la maintenance et l'élimination doivent uniquement être effectuées par des personnes qualifiées et autorisées, conformément aux instructions opérationnelles, aux normes pertinentes, aux exigences réglementaires et légales. **IT** Installare, onderhoud en afvoer mag alleen uitgevoerd worden door vakkwalificeren en bevoegd personeel, conform de bedieningsinstructies, relevante normen, voorschriften en wettelijke vereisten. **ES** La instalación, el mantenimiento y la eliminación deberán llevarlos a cabo personal competente y autorizado únicamente, de acuerdo con las instrucciones de funcionamiento y con las normativas, reglamentos y requisitos legales aplicables. **PT** Delle procedure di installazione, manutenzione e smaltimento deve occuparsi esclusivamente personale competente e autorizzato, nel rispetto delle istruzioni operative, delle norme pertinenti, dei regolamenti e dei requisiti legali vigenti. **RU** А установка, а manutenção e a eliminação devem apenas executar-se por pessoal autorizado e competente, em conformidade com as instruções de funcionamento, as normas e regulamentos relevantes e com os requisitos legais. **GR** Η εγκατάσταση, η συντήρηση και η απόρριψη πρέπει να εκτελούνται μόνο από αρμόδιο και εξουσιοδοτημένο προσωπικό, σύμφωνα με τις οδηγίες χρήσης, τα σχετικά πρότυπα, τους συναρμόζους κανονισμούς και τις νόμιμες απαιτήσεις. **UK** Installation, underhåll och bortskaffande får endast utföras av behörig och auktoriserad personal och ska ske i enlighet med alla driftsansvarningar, tillämpliga standarder, förfordningar och andra juridiska krav. **NO** Installasjon, vedlikehold og avhending skal kun utføres av kompetent og autorisert personell i henhold til driftsinstruksjoner, relevante standarder, regelverk og lovmessige krav. **PL** Instalacja, przegląd i konserwacja oraz utylizacja może wykonywać wyłącznie wykwalifikowany i uprawniony personel zgodnie z instrukcją użycia, właściwymi standardami, przepisami i wymogami prawnymi. **SK** A felizácia, a karbantartás és az ártalmatlanítás kizárólag szakképzett, erre engedélyvel rendelkező személyzet végezheti az üzemeletési utasításokkal, a vonatkozó szabványokkal, szabályokkal és törvényi előírásokkal összhangban. **HU** Installarea, întreținerea și dezasarea vor fi efectuate numai de personal competent și autorizat, în concordanță cu instrucțiunile de utilizare, standardele relevante, regulamentele și cerințele legale. **CZ** Instalace, údržba a likvidace smejí provádět pouze kompetentní a autorizovaní pracovníci, v souladu s návodem k použití, příslušnými standardy, právními požadavky. **PTBR** Instalação, manutenção e destruição só podem ser efetuados por indivíduos competentes e autorizados de acordo com instruções operacionais, padrões, regulamentos e exigências jurídicas.

Filter model*	Pipe size	Flow rate		Dimensions inches (mm)					Weight lbs (Kg)	Element model
		SCFM	Nm <sup>3</sup> /hr	A	B	C	D	E (Max Thread)		
NF(B) 0008**	1/4	8	13	1.93 (49)	0.73 (19)	6.00 (152)	3.00 (76)	0.35 (9)	0.7 (0.3)	E0008**
NF(B) 0015**	1/4	15	25	1.93 (49)	0.73 (19)	6.00 (152)	3.00 (76)	0.35 (9)	0.7 (0.3)	E0015**
NF(B) 0025**	1/4	25	42	2.76 (70)	0.98 (25)	7.50 (191)	3.00 (76)	0.39 (10)	1.3 (0.6)	E0025**
NF(B) 0030**	1/2	30	48	2.76 (70)	0.98 (25)	7.50 (191)	3.00 (76)	0.39 (10)	1.3 (0.6)	E0030**
NF(B) 0035**	3/8	35	59	2.76 (70)	0.98 (25)	7.50 (191)	3.00 (76)	0.39 (10)	1.3 (0.6)	E0035**
NF(B) 0050**	1/2	50	85	2.76 (70)	0.98 (25)	9.11 (232)	3.00 (76)	0.47 (12)	1.5 (0.7)	E0050**
NF(B) 0070**	3/4	70	119	3.94 (100)	1.34 (34)	10.83 (275)	3.00 (76)	0.59 (15)	3.5 (1.6)	E0090**
NF(B) 0085**	3/4	85	144	3.94 (100)	1.34 (34)	10.83 (275)	3.00 (76)	0.59 (15)	3.5 (1.6)	E0090**
NF(B) 0090**	1	90	153	3.94 (100)	1.34 (34)	10.83 (275)	3.00 (76)	0.59 (15)	3.5 (1.6)	E0090**
NF(B) 0125**	3/4	125	212	3.94 (100)	1.34 (34)	15.55 (395)	3.00 (76)	0.59 (15)	4.4 (2.0)	E0135**
NF(B) 0135**	1	135	229	3.94 (100)	1.34 (34)	15.55 (395)	3.00 (76)	0.59 (15)	4.4 (2.0)	E0135**
NF(B) 0175**	1	175	297	3.94 (100)	1.34 (34)	15.55 (395)	3.00 (76)	0.59 (15)	4.4 (2.0)	E0175**
NF(B) 0280**	1 1/2	280	476	4.80 (122)	1.65 (42)	18.07 (459)	3.00 (76)	0.71 (18)	6.2 (2.8)	E0325**
NF(B) 0290**	1 1/2	290	493	4.80 (122)	1.65 (42)	18.07 (459)	3.00 (76)	0.71 (18)	6.2 (2.8)	E0325**
NF(B) 0325**	1 1/2	325	550	4.80 (122)	1.65 (42)	18.07 (459)	3.00 (76)	0.71 (18)	6.2 (2.8)	E0325**
NF(B) 0400**	1 1/2	400	680	5.75 (146)	2.05 (52)	18.94 (481)	3.00 (76)	0.79 (20)	9.2 (4.2)	E0450**
NF(B) 0450**	2	450	765	5.75 (146)	2.05 (52)	18.94 (481)	3.00 (76)	0.91 (23)	9.2 (4.2)	E0450**
NF(B) 0700**	2	700	1190	5.75 (146)	2.05 (52)	30.87 (784)	3.00 (76)	0.91 (23)	13.9 (6.3)	E0700**
NF(B) 0850**	2 1/2	850	1445	8.27 (210)	2.62 (67)	23.35 (593)	3.00 (76)	1.14 (29)	18.7 (8.5)	E1000**
NF(B) 1000**	3	1000	1700	8.27 (210)	2.62 (67)	23.35 (593)	3.00 (76)	1.14 (29)	18.7 (8.5)	E1000**
NF(B) 1250**	3	1250	2125	8.27 (210)	2.62 (67)	32.13 (816)	3.00 (76)	1.14 (29)	23.1 (10.5)	E1250**
NF(B) 1500**	3	1500	2550	8.27 (210)	2.62 (67)	38.31 (973)	3.00 (76)	1.14 (29)	26.4 (12.0)	E1500**
NFD(B) 25	1/4	25	42	2.76 (70)	6.42 (163)	6.26 (159)	3.00 (76)	0.39 (10)	2.0 (0.9)	E025-M01/DAC
NFD(B) 35	1/4	35	59	2.76 (70)	6.42 (163)	6.26 (159)	3.00 (76)	0.39 (10)	2.0 (0.9)	E035-M01/DAC
NFD(B) 50	1/2	50	85	2.76 (70)	8.03 (204)	7.87 (200)	3.00 (76)	0.47 (12)	2.2 (1.0)	E050-M01/DAC
NFD(B) 70	3/4	70	119	3.94 (100)	9.45 (240)	9.29 (236)	3.00 (76)	0.59 (15)	5.1 (2.3)	E085-M01/DAC
NFD(B) 85	3/4	85	144	3.94 (100)	9.45 (240)	9.29 (236)	3.00 (76)	0.59 (15)	5.1 (2.3)	E085-M01/DAC
NFD(B) 125	1	125	212	3.94 (100)	14.17 (360)	14.02 (356)	3.00 (76)	0.59 (15)	6.8 (3.1)	E135-M01/DAC
NFD(B) 135	1	135	229	3.94 (100)	14.17 (360)	14.02 (356)	3.00 (76)	0.59 (15)	6.8 (3.1)	E135-M01/DAC
NFD(B) 175	1	175	297	3.94 (100)	14.17 (360)	14.02 (356)	3.00 (76)	0.59 (15)	7.0 (3.2)	E175-M01/DAC

\*Products supplied with NPT threaded connections as standard. For BSP connections add prefix 'B' before the model number e.g. NFB 0025. \*\*Grades available M25, M5, M1, M01, AC, RM25, RM5, RM1, RM01, RAC.

## EC Declaration of Conformity (2014/68/EU)

Product Description: Aluminium Filter Housings

Filter model	PED Category / Conformity Assessment Route		
	CAT SEP	CAT I / Module A	CAT II / Module D1
NF(B) 0008	✓		
NF(B) 0015	✓		
NF(B) 0025 / NFD(B) 25	✓		
NF(B) 0030	✓		
NF(B) 0035 / NFD(B) 35	✓		
NF(B) 0050 / NFD(B) 50	✓		
NF(B) 0070 / NFD(B) 70	✓		
NF(B) 0085 / NFD(B) 85	✓		
NF(B) 0090	✓		
NF(B) 0125 / NFD(B) 125	✓		
NF(B) 0135 / NFD(B) 135	✓		
NF(B) 0175 / NFD(B) 175	✓		
NF(B) 0280	✓		
NF(B) 0290	✓		
NF(B) 0325	✓		
NF(B) 0400		✓	
NF(B) 0450		✓	
NF(B) 0700		✓	
NF(B) 0850		✓	
NF(B) 1000		✓	
NF(B) 1250			✓
NF(B) 1500			✓

Assessment based on Group 2 Gas Service Standards Used: ASME VIII Division 1 - Rules for Construction of Pressure Vessels

CRN Approved - CRNOE15281.5C

Products supplied with NPT threaded connections as standard is not PED 2014/68/EU compliant

## EC Declaration of Conformity (2014/68/EU)

This declaration of conformity is issued under the sole responsibility of the manufacturer. I declare on behalf of the manufacturer, and as authorised representative, that the stated products fulfil the requirements of Category IV Module B+D (B:COV1311318, D:COV1311353) of the Pressure Equipment Directive 2014/68/EU.

Name: Michael Eccles  
Position: Technical Director

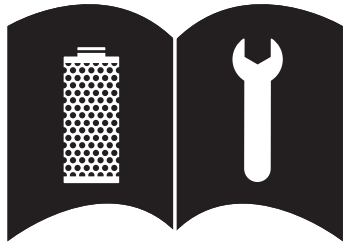
Signed: Date: September 2017

Manufactured in the UK by nano-purification solutions Ltd  
[www.n-psi.co.uk](http://www.n-psi.co.uk)

Notified body (Not applicable to SEP or Cat I Products)  
Lloyd's Register Verification Ltd - Notified Body No 0038  
71 Fenchurch Street, London EC3M 4BS, England

Quality Assurance System: ISO9001 – LRQ4005450  
Lloyd's Register Quality Assurance Ltd (LRQA)  
1 Trinity Park, Bickenhill Lane, Birmingham, B37 7ES, United Kingdom

# nano



1340-NAN-310-01 - 10/18

[www.n-psi.com](http://www.n-psi.com)

[www.n-psi.co.uk](http://www.n-psi.co.uk)

M25, M5, M1, M01 RM25, RM5, RM1, RM01	12M Or
AC, DAC	

**0 PSIG (0 BARG)**

**01**

**WARNING:** This product can expose you to chemicals including lead, which is known to the State of California to cause cancer and/or birth defects or other reproductive harm. For more information, go to [www.P65Warnings.ca.gov](http://www.P65Warnings.ca.gov).

**02**

**03**

**04**

**05**

**06**

**07**

**08**

**09**

### Certificate of Conformity

The Manufacturer certifies that the element(s) supplied with this declaration, when tested at rated flow in accordance with the established protocols in the ISO 12500 series of standards, meet the following ISO 8573-1 specifications.

Filter model	Particle quality class ISO 8573:1-2010	Oil quality class ISO 8573:1-2010
Grade AC	Class 1	Class 1
Grade DAC	Class 1	Class 1
Grade M01, RM01	Class 1	Class 1
Grade M1, RM1	Class 2	Class 2
Grade M5, RM5	Class 3	Class 4
Grade M25, RM25	-	-

The table above is for general guidance only. Depending upon application air quality and contamination, a combination of filter grades may be necessary to meet the required quality class. AC filters should be preceded by suitable coalescing filters. Please contact us for further information.

Manufactured in the UK, in an ISO9001 accredited facility.