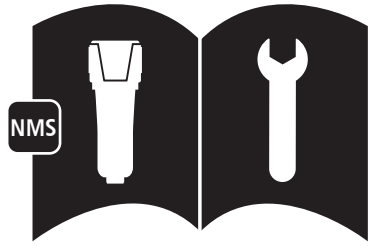


nano



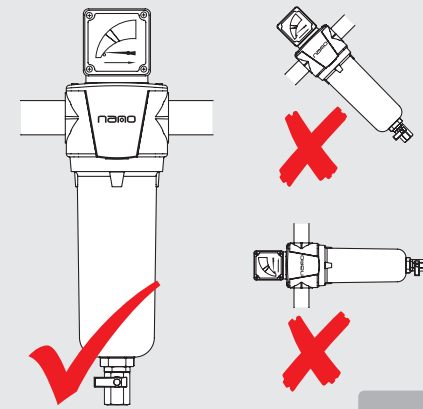
1340-NAN-310-06 - 12/21

www.n-psi.com
www.n-psi.co.uk

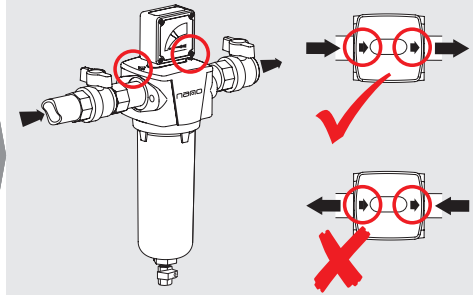


WARNING: This product can expose you to chemicals including lead, which is known to the State of California to cause cancer and/or birth defects or other reproductive harm. For more information, go to www.P65Warnings.ca.gov.

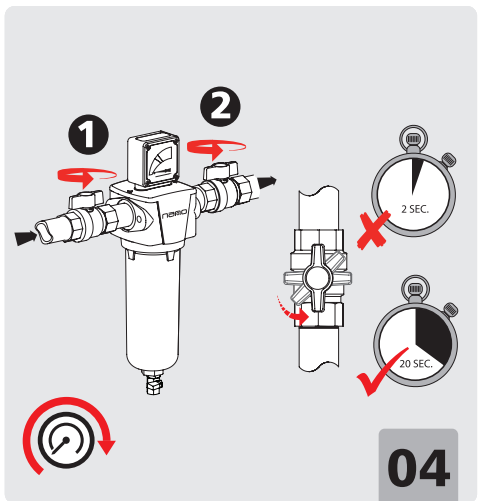
01



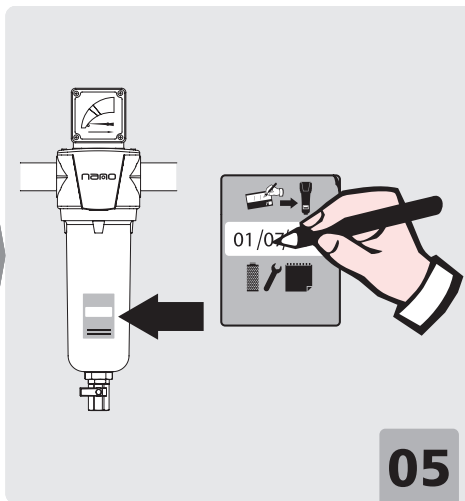
02



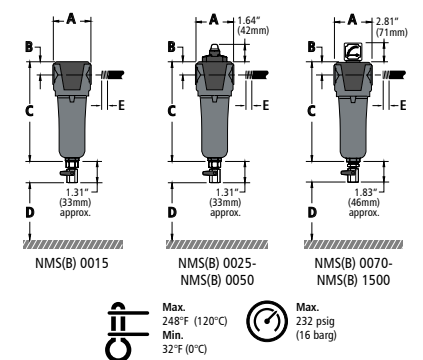
03



04



05



Operating Pressure psig (barg)	58 (4)	72 (5)	87 (6)	100 (7)	115 (8)	145 (10)	174 (12)	203 (14)	232 (16)
Correction Factor	0.76	0.84	0.92	1.00	1.07	1.19	1.31	1.41	1.51

EN Installation, maintenance and authorised disposal to be carried out by competent personnel only, in accordance with operating instructions, relevant standards, regulations and legal requirements. **DE** Installation, Wartung und Vernichtung dürfen nur von autorisiertem Fachpersonal und in Übereinstimmung mit der Bedienungsanleitung, den einschlägigen Normen, Vorschriften und gesetzlichen Bestimmungen durchgeführt werden. **ES** La instalación, el mantenimiento y la eliminación deberán llevarlos a cabo personal competente y autorizado únicamente, de acuerdo con las instrucciones de funcionamiento y con las normativas, reglamentos y requisitos legales aplicables. **FR** Cette procédure d'installation, maintenance et smaltimento deve occuparsi esclusivamente personale competente e autorizzato, nel rispetto delle istruzioni operative, delle norme pertinenti, dei regolamenti e dei requisiti legali vigenti. **IT** A installazione, a manutenzione e a eliminazione devono apenas executar-se por pessoal autorizado e competente, em conformidade com as instruções de funcionamento, com as normas e regulamentos relevantes e com os requisitos legais. **PT** Η εγκατάσταση, η συντήρηση και η απόρριψη πρέπει να εκτελεστεί μόνο από αρμόδιο και εξουσιοδοτημένο προσωπικό, σύμφωνα με τις οδηγίες χρήσης, τα σχετική πρότυπα, τους κανόνες και τις απαιτήσεις ισχύοντος. **GR** Η εγκατάσταση, η συντήρηση και η απόρριψη πρέπει να εκτελεστεί μόνο από αρμόδιο και εξουσιοδοτημένο προσωπικό, σύμφωνα με τις οδηγίες χρήσης, τα σχετική πρότυπα, τους κανόνες και τις απαιτήσεις ισχύοντος. **RU** Installation, underhold og autoriseret personale i henhold til driftsinstruktioner, relevante standarder, forskrifter og andre juridiske krav. **SK** Instalácia, vedúť a udržiavanie musí byť vykonané iba kompetentným a autorizovaným personálom v súlade s inštrukciami, relevantnými štandardmi, predpismi a inými právnymi predpismi. **TR** Astenruksen, huolto ja käytöstä poiston saa suorittaa vain pätevä ja valtuutettu henkilöstö. Näiden toimenpiteiden aikana on noudatettava käyttöohjeita sekä asiaan liittyviä standardeja, määräyksiä ja lakeja. **UK** Uppsettning, vård och förgun å ingångs och vairs i höndum starfalka sem er haft og vörkirkerit á sínu sviði og á að framkvæma í samgæmi við notkunarbúnaðingar, viðgængi stöla, reglugerðir og lög. **PL** Instalacja, konserwacja oraz utylizacja może wykonywać wyłącznie wykwalifikowany i uprawniony personel zgodnie z instrukcją użycia, właściwymi standardami, przepisami i wyrogonami prawnymi. **CZ** A teplotičt, a korbantartás és az őrlantantást kizárólag szakképzett, erre engedéllyel rendelkező személyzet végezheti az üzemeltetés utáni időszakok, a vonatkozó szabványokkal, szabályokkal és törvényi előírásokkal összhangban. **EU** Instalação, manutenção e destruição só podem ser efetuados por indivíduos competentes e autorizados de acordo com instruções operacionais, padrões, regulamentos e exigências jurídicas. **JP** 取組、メンテナンス、および、廃棄については、作業指示書中の 規定を厳格に遵守し、適用、法規制等、有関係 業界行政に準じてください。

Filter model*	Pipe size	Flow rate		Dimensions inches (mm)					Weight lbs (Kg)	Element model
		SCFM	Nm ³ /hr	A	B	C	D	E (Max Thread)		
NMS(B) 0015	¼	15	25	1.93 (49)	0.73 (19)	6.00 (152)	3.00 (76)	0.35 (9)	0.7 (0.3)	E0015MS
NMS(B) 0025	¼	25	42	2.76 (70)	0.98 (25)	7.50 (191)	3.00 (76)	0.39 (10)	1.3 (0.6)	E0035MS
NMS(B) 0035	¾	35	59	2.76 (70)	0.98 (25)	7.50 (191)	3.00 (76)	0.39 (10)	1.3 (0.6)	E0035MS
NMS(B) 0050	½	50	85	2.76 (70)	0.98 (25)	9.11 (232)	3.00 (76)	0.47 (12)	1.5 (0.7)	E0050MS
NMS(B) 0070	½	70	119	3.94 (100)	1.34 (34)	10.83 (275)	3.00 (76)	0.59 (15)	3.5 (1.6)	E0085MS
NMS(B) 0085	¾	85	144	3.94 (100)	1.34 (34)	10.83 (275)	3.00 (76)	0.59 (15)	3.5 (1.6)	E0085MS
NMS(B) 0175	1	175	297	3.94 (100)	1.34 (34)	15.55 (395)	3.00 (76)	0.59 (15)	4.4 (2.0)	E0175MS
NMS(B) 0280	1 ¼	280	476	4.80 (122)	1.65 (42)	18.07 (459)	3.00 (76)	0.71 (18)	6.2 (2.8)	E0325MS
NMS(B) 0325	1 ½	325	550	4.80 (122)	1.65 (42)	18.07 (459)	3.00 (76)	0.71 (18)	6.2 (2.8)	E0325MS
NMS(B) 0400	1 ½	400	680	5.75 (146)	2.05 (52)	18.94 (481)	3.00 (76)	0.79 (20)	9.2 (4.2)	E0450MS
NMS(B) 0450	2	450	765	5.75 (146)	2.05 (52)	18.94 (481)	3.00 (76)	0.91 (23)	9.2 (4.2)	E0450MS
NMS(B) 0700	2	700	1190	5.75 (146)	2.05 (52)	30.87 (784)	3.00 (76)	0.91 (23)	13.9 (6.3)	E0700MS
NMS(B) 0850	2 ½	850	1445	8.27 (210)	2.62 (67)	23.35 (593)	3.00 (76)	1.14 (29)	18.7 (8.5)	E1000MS
NMS(B) 1000	3	1000	1700	8.27 (210)	2.62 (67)	23.35 (593)	3.00 (76)	1.14 (29)	18.7 (8.5)	E1000MS
NMS(B) 1250	3	1250	2125	8.27 (210)	2.62 (67)	32.13 (816)	3.00 (76)	1.14 (29)	23.1 (10.5)	E1250MS
NMS(B) 1500	3	1500	2550	8.27 (210)	2.62 (67)	38.31 (973)	3.00 (76)	1.14 (29)	26.4 (12.0)	E1500MS

*Product supplied with NPT threaded connections as standard. For BSP connections add prefix 'B' before the model number e.g. NMSB 0015.

EC Declaration of Conformity (2014/68/EU)

Product Description: Aluminium Filter Housings

Filter model	PED Category / Conformity Assessment Route		
	CAT SEP	CAT I / Module A	CAT II / Module D1 COV0310124/1
NMS(B) 0015	✓		
NMS(B) 0025	✓		
NMS(B) 0035	✓		
NMS(B) 0050	✓		
NMS(B) 0070	✓		
NMS(B) 0085	✓		
NMS(B) 0175	✓		
NMS(B) 0280	✓		
NMS(B) 0325	✓		
NMS(B) 0400		✓	
NMS(B) 0450		✓	
NMS(B) 0700		✓	
NMS(B) 0850		✓	
NMS(B) 1000		✓	
NMS(B) 1250			✓
NMS(B) 1500			✓

Assessment based on Group 2 Gas service
 Standards Used: ASME VIII Division 1 - Rules for Construction of Pressure Vessels
 Products supplied with NPT threaded connections as standard is not PED 2014/68/EU compliant

EC Declaration of Conformity (2014/68/EU)

This declaration of conformity is issued under the sole responsibility of the manufacturer. I declare on behalf of the manufacturer, and as authorised representative, that the stated products fulfil the requirements of Category IV Module B+D (B:COV1311318, D:COV131135/3) of the Pressure Equipment Directive 2014/68/EU.

Name: Michael Eccles
 Position: Technical Director

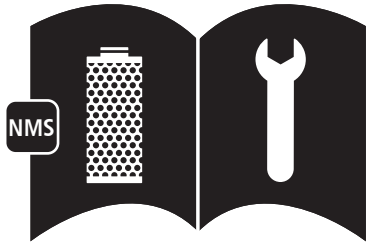
Signed: Date: September 2017

Manufactured in the UK by nano-purification solutions Ltd
www.n-psi.co.uk

Notified body (Not applicable to SEP or Cat I Products)
 Lloyd's Register Verification Ltd – Notified Body No 0038
 71 Fenchurch Street, London EC3M 4BS, England

Quality Assurance System: ISO9001 – LRO4005450
 Lloyd's Register Quality Assurance Ltd (LRQA)
 1 Trinity Park, Bickenhill Lane, Birmingham, B37 7ES, United Kingdom

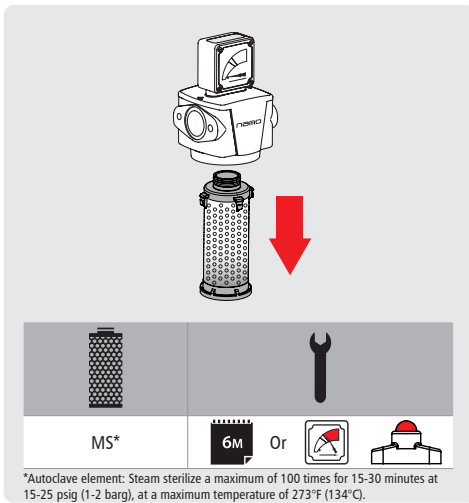
nano



1340-NAN-310-06 - 12/21

www.n-psi.com

www.n-psi.co.uk



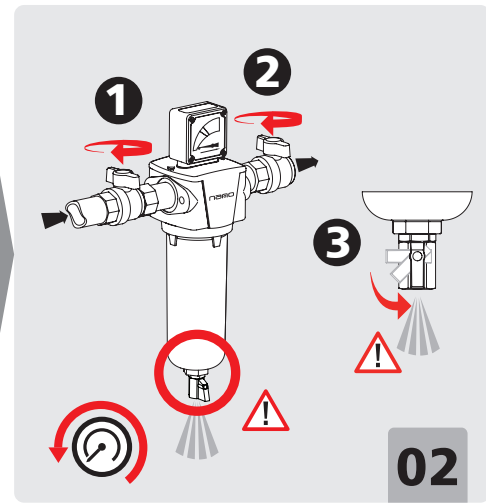
*Autoclave element: Steam sterilize a maximum of 100 times for 15-30 minutes at 15-25 psig (1-2 barg), at a maximum temperature of 273°F (134°C).



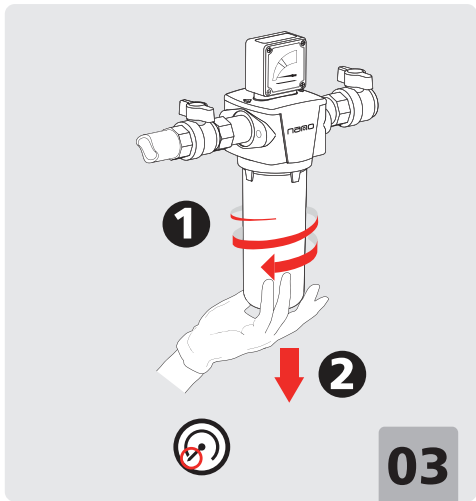
**0 PSIG
(0 BARG)**

WARNING: This product can expose you to chemicals including lead, which is known to the State of California to cause cancer and/or birth defects or other reproductive harm. For more information, go to www.P65Warnings.ca.gov.

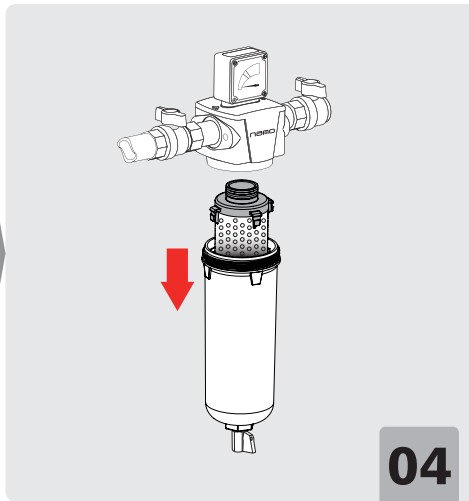
01



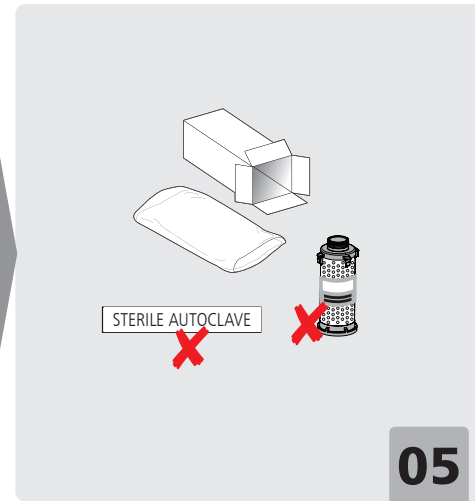
02



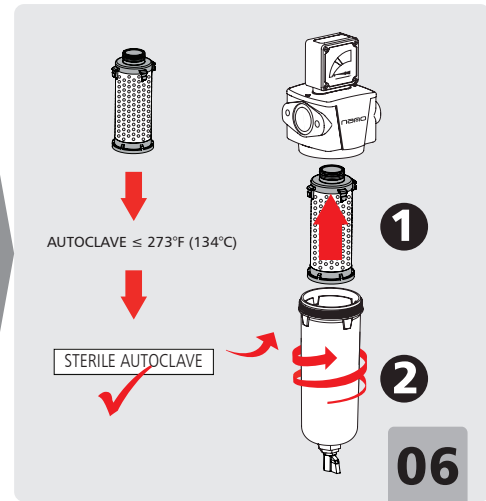
03



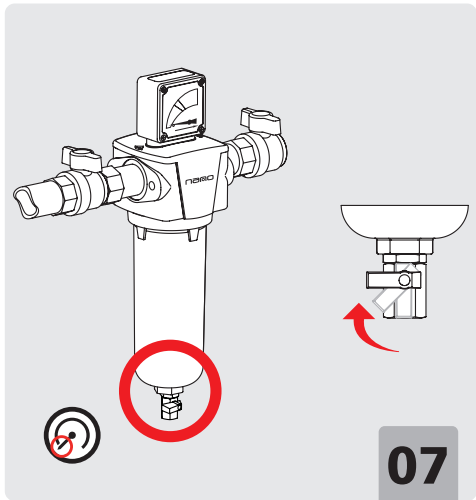
04



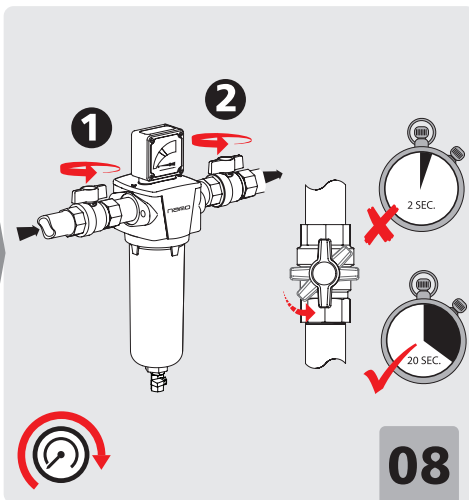
05



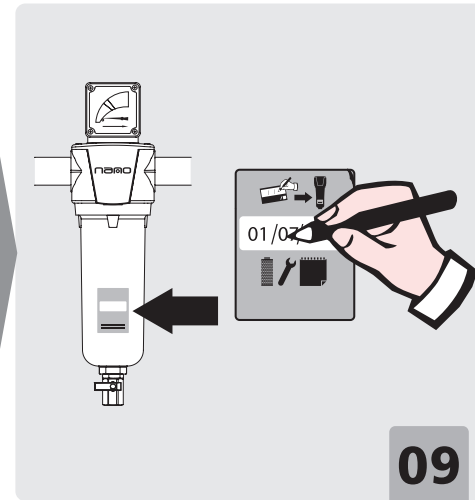
06



07



08



09