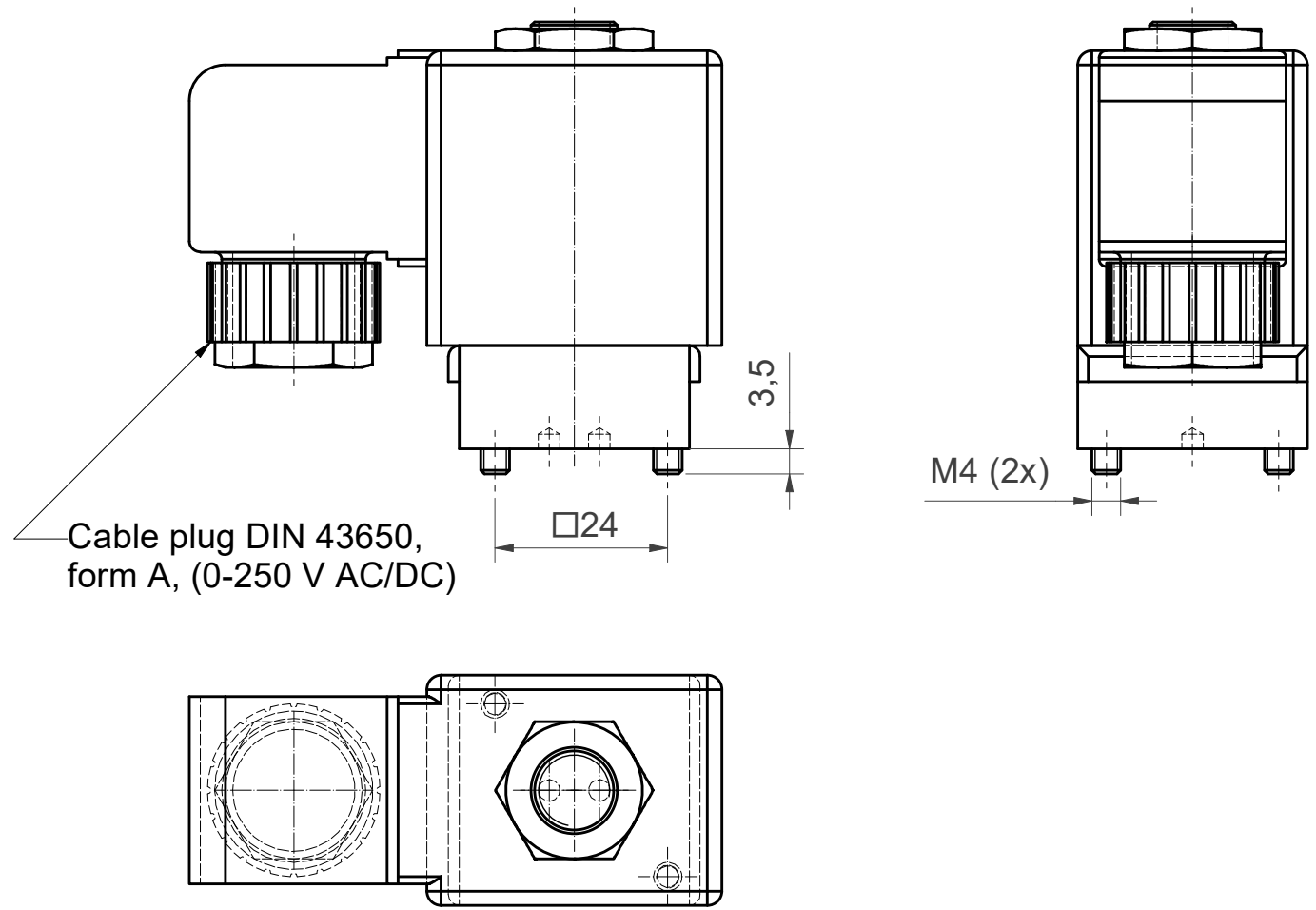
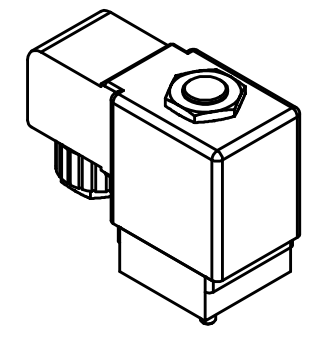


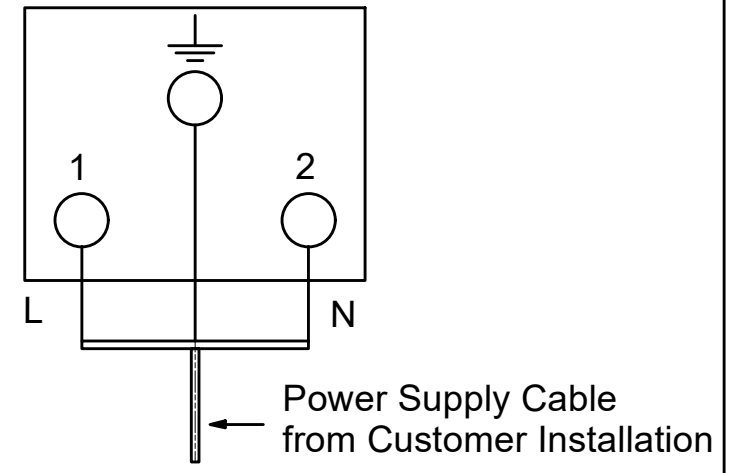
All materials supplied are in compliance with the requirements of the List of Prohibited Substances



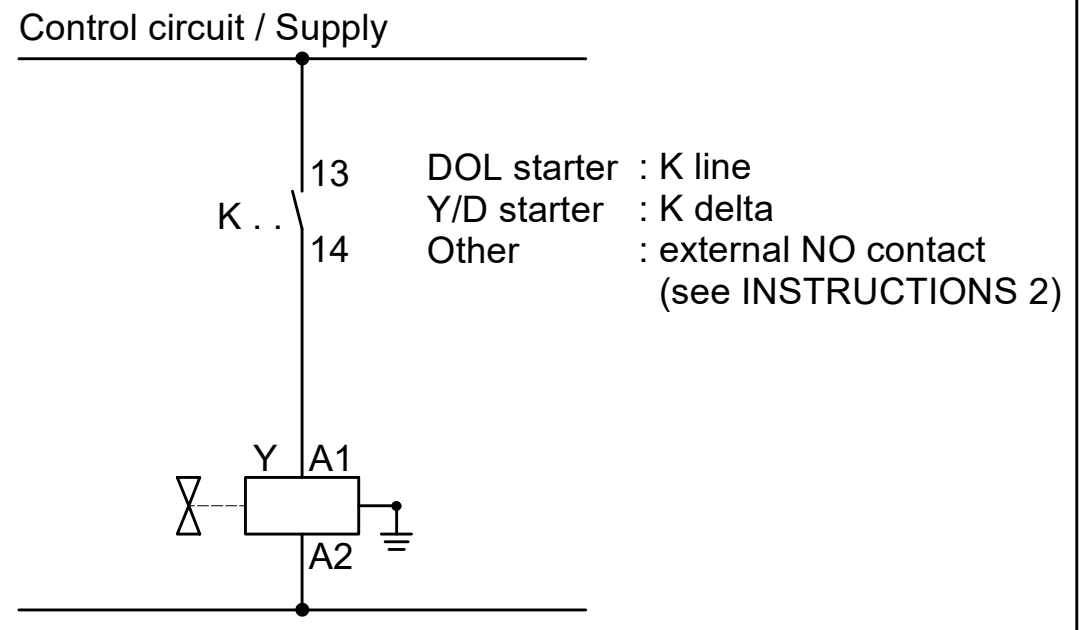
Cable plug DIN 43650, form A, (0-250 V AC/DC)



Cable plug DIN 43650 form A (0-250V AC/DC)  
Supply Voltage Connection



**SERVICE DIAGRAM**



**INSTRUCTIONS FOR PURGE CONTROL**

- 1 Connect supply voltage (according to voltage variant of solenoid valve) by means of electrical cable (according to local regulations) to the DIN cable plug of solenoid valve (type normally closed). Always connect the protective conductor.
- 2 Supply voltage shall be SWITCHED ON in case PMD-dryer is IN OPERATION.
- 3 Supply voltage shall be SWITCHED OFF in case PMD-dryer is NOT IN OPERATION.

Tolerances, if not indicated, according to:		General tolerances			
STANDARD CLASS		1350K - m			
Name INSTR. ASSEMBLY PURGE CONTROL			Confidentiality Class acc. to 1102 K		
Material Not Applicable			Confidential		
Treatment Not Applicable			INV		Drawing owner API
		Scale 1 : 1	Family	A3 Compare	
Drawn by INEBM		Blank nr.		Replaces	
Version Drwg		Blank wt 0 Kg	Fini wt. N/A	Designation Sheet 1 / 1	
STATUS		Des checked.	Prod checked.	Approved.	Date 10/04/2021
Released		9827730402-01			

**CONFIDENTIAL:**  
This document is our property and shall not without our permission be altered, copied, used for manufacturing or communicated to any other person or company.

1		28/10/2021	User Agent	9827730400	00.00
Ed	Position	Date	Intr./Appd.	Parent 3D model	Ed . Version 3D