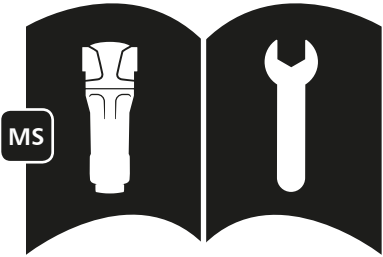


# nano



04 1911 001 01 Rc  
www.n-psi.co.uk

0 BARG  
(0 PSIG)

01

02

03

1

2

04

05

MDV25  
Manual Drain

Max. 120°C (248°F)  
Min. 1°C (34°F)

Max. 16 BARG.  
(232 PSIG)

GMS 0006 - GMS1500

Operating Pressure barg (psig)	4 (58)	5 (72)	6 (87)	7 (100)	8 (115)	10 (145)	12 (174)	14 (203)	16 (232)	20 (290)
7 barg Correction Factor	0.76	0.84	0.92	1	1.07	1.19	1.31	1.41	1.51	(1.6)

Filter model	Pipe size inches	Inlet flow rate*		Dimensions mm				Weight Kg	Element model
		Nm <sup>3</sup> /hr	SCFM	A	B	C	D		
GMS 0006	1/8	10	6	50	17	157	60	0.25	GE 0015 MS
GMS 0015	1/4	25	15	50	17	157	60	0.25	GE 0015 MS
GMS 0025	3/8	42	25	70	24	231	70	0.6	GE 0032 MS
GMS 0032	1/2	54	32	70	24	231	70	0.6	GE 0032 MS
GMS 0050	3/4	85	50	70	24	231	70	0.6	GE 0050 MS
GMS 0070	1	119	70	127	32	285	80	1.7	GE 0105 MS
GMS 0085	1 1/4	144	85	127	32	285	80	1.7	GE 0105 MS
GMS 0105	1 1/2	178	105	127	32	285	80	1.7	GE 0105 MS
GMS 0125	2	212	125	127	32	371	80	2.0	GE 0175 MS
GMS 0175	2 1/2	297	175	127	32	371	80	2.0	GE 0175 MS
GMS 0280	3	476	280	170	53	508	100	4.9	GE 0325 MS
GMS 0325	3 1/2	680	400	170	53	508	100	4.9	GE 0325 MS
GMS 0450	4	765	450	170	53	508	100	4.9	GE 0450 MS
GMS 0700	6	1189	700	170	53	708	100	5.5	GE 0700 MS
GMS 0850	8	1444	850	220	70	736	100	10.5	GE 0900 MS
GMS 0900	10	1529	900	220	70	736	100	10.5	GE 0900 MS
GMS 1250	12	2125	1250	220	70	857	100	11.5	GE 1250 MS
GMS 1500	15	2550	1500	220	70	1005	100	12.5	GE 1500 MS

EC & UKCA Declaration of Conformity (2014/68/EU & UK S.I. 2016 No. 1105)  
Product Description: Aluminium Filter Housings

Filter model	PED Category / Conformity Assessment Route		
	SEP	Cat I - Module A	CAT II / Module D1 50348/2
GMS 0006	✓		
GMS 0015	✓		
GMS 0025	✓		
GMS 0032	✓		
GMS 0050	✓		
GMS 0070	✓		
GMS 0085	✓		
GMS 0105	✓		
GMS 0125	✓		
GMS 0175	✓		
GMS 0280		✓	
GMS 0325		✓	
GMS 0450		✓	
GMS 0700		✓	
GMS 0850		✓	
GMS 0900		✓	
GMS 1250			✓
GMS 1500			✓

Assessment based on Group 2 Gas service  
Standards Used: ASME VIII Division 1 - Rules for Construction of Pressure Vessels

**EN** Installation, maintenance and authorised disposal to be carried out by competent personnel only, in accordance with operating instructions, relevant standards, regulations and legal requirements. **DE** Installation, Wartung und Vernichtung dürfen nur von autorisiertem Fachpersonal und in Übereinstimmung mit der Bedienungsanleitung, den einschlägigen Normen, Vorschriften und gesetzlichen Bestimmungen durchgeführt werden. **FR** L'installation, la maintenance et l'élimination doivent uniquement être effectuées par des personnes qualifiées et autorisées, conformément aux instructions opérationnelles, aux normes pertinentes, aux exigences réglementaires et légales. **NL** Installatie, onderhoud en afvoer mag alleen uitgevoerd worden door vakbekwaam en bevoegd personeel, conform de bedieningsinstructies, relevante normen, voorschriften en wettelijke vereisten. **ES** La instalación, el mantenimiento y la eliminación deberán llevarlos a cabo personal competente y autorizado únicamente, de acuerdo con las instrucciones de funcionamiento y con las normativas, reglamentos y requisitos legales aplicables. **IT** Delle procedure di installazione, manutenzione e smaltimento deve occuparsi esclusivamente personale competente e autorizzato, nel rispetto delle istruzioni operative, delle norme pertinenti, dei regolamenti e dei requisiti legali vigenti. **PT** A instalação, a manutenção e a eliminação devem apenas executar-se por pessoal autorizado e competente, em conformidade com as instruções de funcionamento, com as normas e regulamentos relevantes e com os requisitos legais. **EL** Η εγκατάσταση, η συντήρηση και η απόρριψη πρέπει να εκτελούνται μόνο από αρμόδιο και εξουσιοδοτημένο προσωπικό, σύμφωνα με τις οδηγίες χρήσης, τα σχετικά πρότυπα, τους συναρπείς κανονισμούς και τις νόμιμες απαιτήσεις. **SE** Installation, underhåll och bortskaffande får endast utföras av behörig och auktoriserad personal och ska ske i enlighet med alla driftsammansvar, tillämpliga standarder, förordningar och andra juridiska krav. **NO** Installasjon, vedlikehold og avhending skal kun utføres av kompetent og autorisert personale i henhold til driftsinstruksjoner, relevante standarder, regelverk og lovmessige krav. **DA** Installation, vedligeholdelse og bortskaffelse må kun udføres af kompetent og autoriseret personale i henhold til betjeningsvejledningen, relevante standarder, bestemmelser og lovmæssige krav. **FI** Asennuksen, huollon ja käytöstä poiston saa suorittaa vain pätevä ja valtuutettu henkilö. Näiden toimenpiteiden aikana on noudatettava käyttöohjeita sekä assaan liittyviä standardia, määräyksiä ja lakeja. **IS** Uppsetning, viðhald og forguð á einngöngu að vera í höndum starfsfólks sem er hætt og viðurkennt á sínu sviði og á að framkvæma í samræmi við notkunarléiðbeiningar, viðeigandi stöðla, reglugerðir og lög. **CZ** Instalace, konservece aaz užítkace moze vykonat vykvalifikovany i upravny personál zinstrukcia užítkace, vlašivými przipami i wymogami prawnymi. **HU** A telepítést, a karbantartást és az ártalmatlanítást kizárólag szakképzett, erre engedélyvel rendelkező személyzet végezheti az üzemeltetési utasításokkal, a vonatkozó szabványokkal, szabályokkal és törvényi előírásokkal összhangban. **PL** Instalacja, intryeracja i detaracja vor fi efectuate numai de personal competent și autorizat, în concordanță cu instrucțiunile de utilizare, standardele relevante, reglementele și cerințele legale. **SK** Instalaci, údržbu a likvidaci smaji provadit pouze kompetentni a autorizovanými pracovníky, v souladu s návodymi k použití, příslušnými standardy, pravidly a právními požadavky. **HR** Instalacija, održavanje i destrukcija só podem ser efektudios por individuos e autorizados de acordo com instruções operacionais, padrões, regulamentos e exigências jurídicas. **JP** 設置、メンテナンス、および、廃棄については、作業指示書に準ずる基準、規則、法規に則り、有資格者が行うようにし。

EC Declaration of Conformity (2014/68/EU)

This declaration of conformity is issued under the sole responsibility of the manufacturer. I declare on behalf of the manufacturer, and as authorised representative, that the stated products fulfil the requirements of Category IV Module B-D (B:COV1311318, D:COV131135/3) of the Pressure Equipment Directive 2014/68/EU.

Name: Michael Eccles  
Position: Technical Director

Signed: Date: November 2022

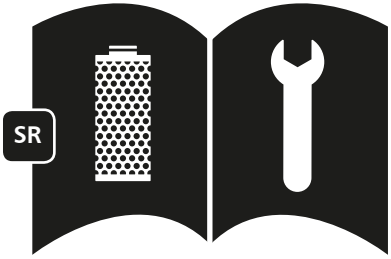
Manufactured in the UK by nano-purification solutions Ltd  
www.n-psi.co.uk

Notified body (Not applicable to SEP or Cat I Products)  
LRQA Verification Ltd  
1 Trinity Park, Bickenhill Lane, Birmingham, B37 7ES, United Kingdom

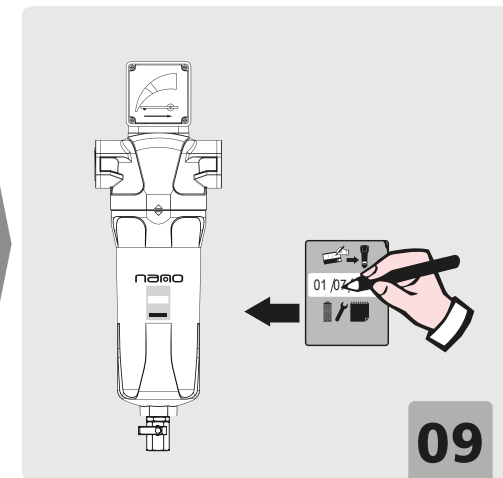
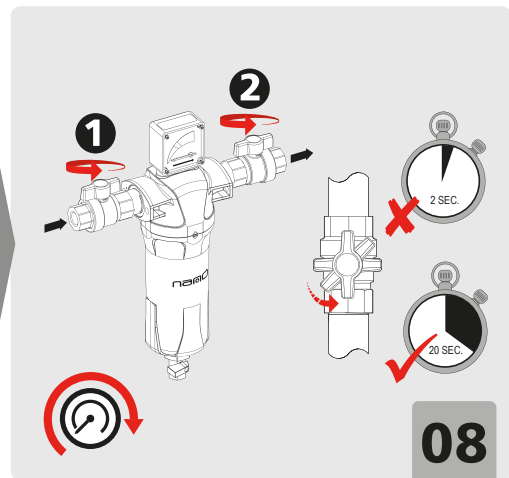
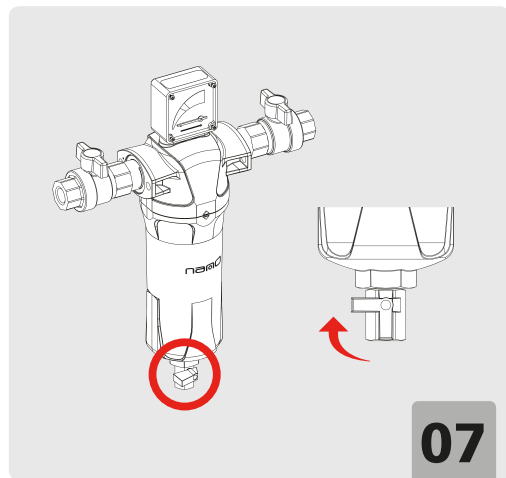
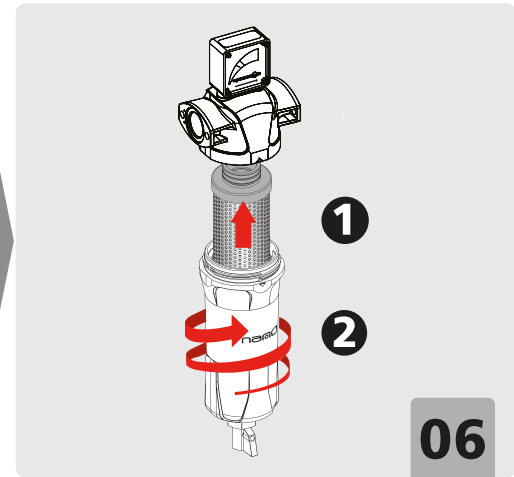
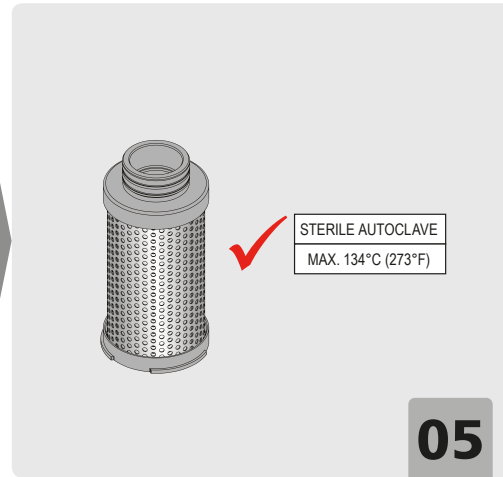
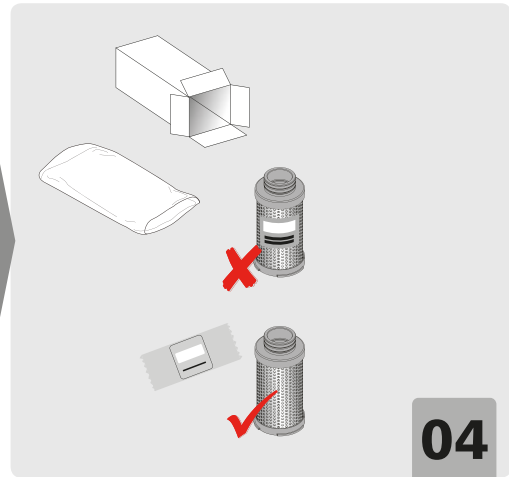
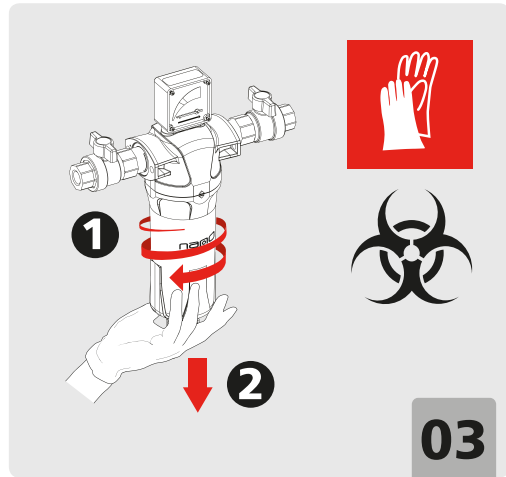
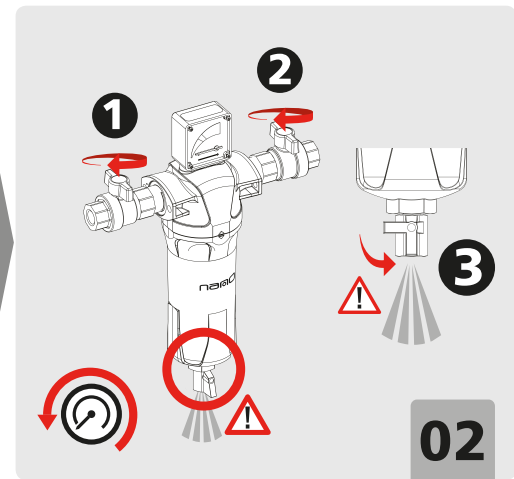
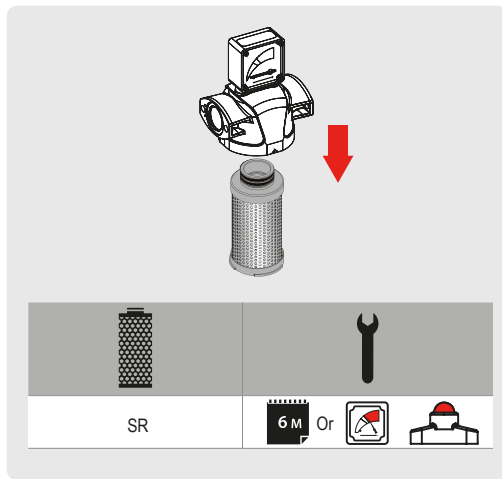
Notified body (Not applicable to SEP or Cat I Products)  
Notified Body No 0343, LRQA Nederland B.V.,  
George Hintzenweg 77, 3066AX Rotterdam, The Netherlands

Quality Assurance System: ISO9001  
LRQA Ltd  
1 Trinity Park, Bickenhill Lane, Birmingham, B37 7ES, United Kingdom

# nano



04 1910 001 01 Rb  
www.n-psi.co.uk



### Quality Statement

This product is supplied by a manufacturer which maintains an ISO 9001 Quality Management System. This Quality Management System has been fully certified and audited for design and manufacture in the UK of compressed air and gas filters, dryers and purification equipment, vacuum filters, autoclave filters for steam sterilizers and smoke evacuators for use in medical laser surgery filtration products.

Quality Assurance System: ISO9001  
LRQA Ltd