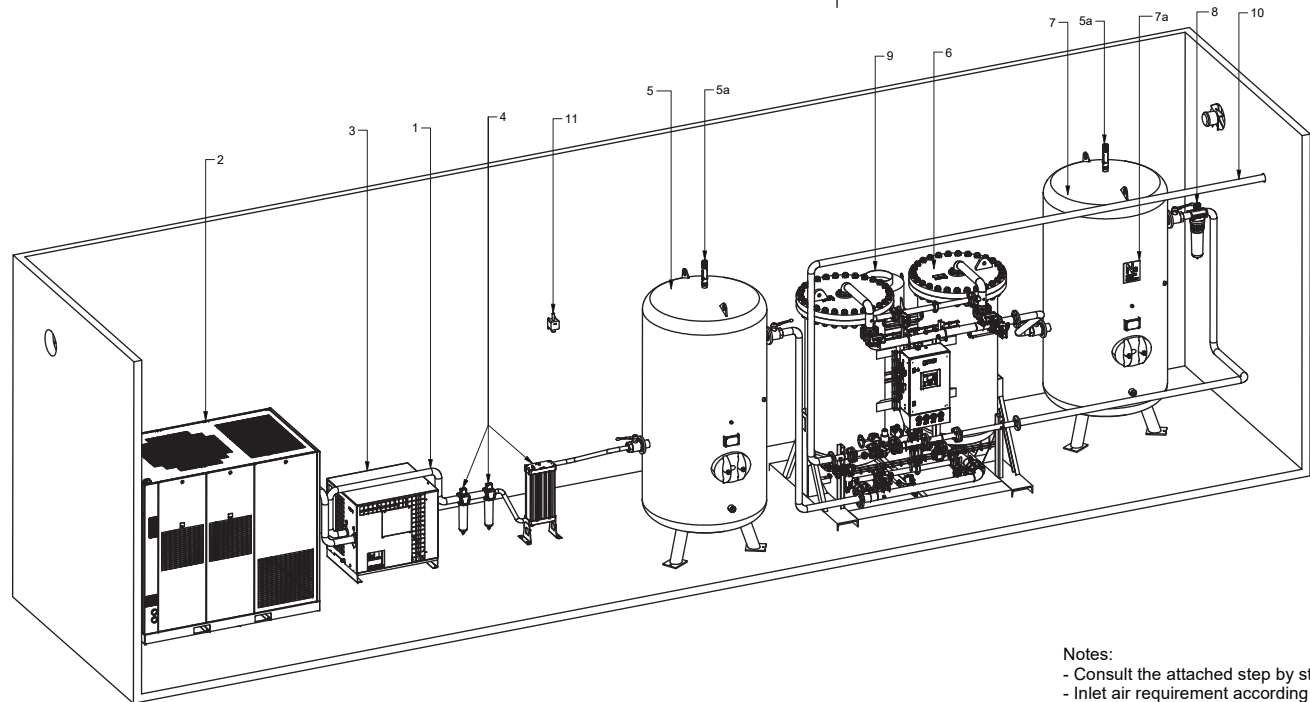


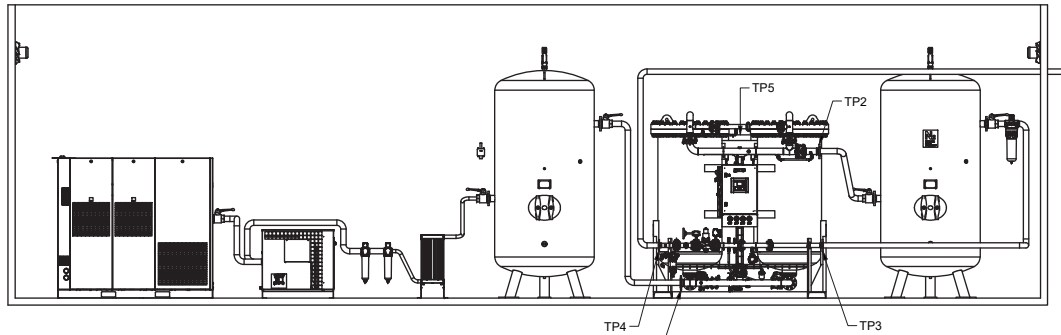
All materials supplied are in compliance with the requirements of the List of Prohibited Substances



Legend	
1	Piping
2	Compressor
3	Dryer (Integrated/Stand-alone)
4	Inlet filtration
5	Air tank
5a	Safety valve
6	Nitrogen generator
7	Product tank
7a	Nitrogen label
8	Outlet filtration
9	Waste exhaust
10	Gas outlet
11	Room Oxygen monitor (optional)

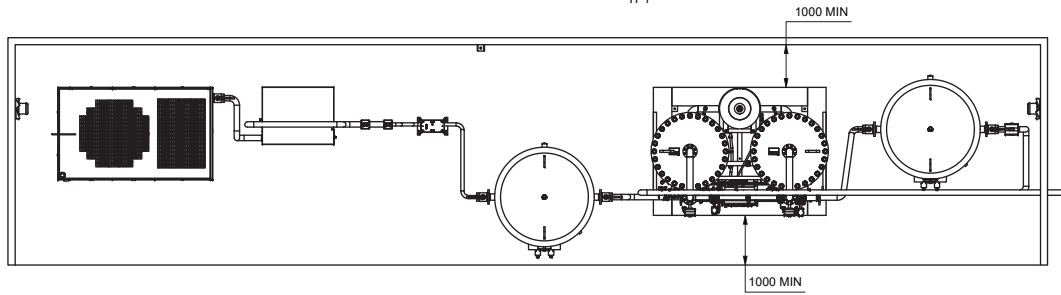
Notes:

- Consult the attached step by step instructions 9829500831-03 for further details.
- Inlet air requirement according to ISO 85731:2010 class 2-4-1 or 2-3-1 (Low ambient option).
- Diameter of pipe connections in table overview valid up to 5 meters (16.5 ft) pipe length.
- All equipment must be installed on a level floor suitable for taking the weight of the equipment.
- Allow a free space of minimum 1000mm (3.3 ft) around the equipment.
- Allow a free space of minimum 1250mm (4 ft) above the unit.
- Isolate equipment and tanks with ball valves.



	Tank sizes and pipe connections (Metric)										
	5.5	7.5	9.5	12	15	17	20	25	31	39	50
GEN2-MAX k	500	680	1060	1060	1060	1040	1550	2000	2560	3690	5000
AIR TANK VSD [L]	2000	2000	3000	3000	4000	5000	6000	8000	10000	12000	16000
AIR TANK FIXED SPEED/PRODUCT TANK [L]	2000	3000	3000	4000	5000	6000	8000	10000	12000	16000	20000
TP1: AIR INLET [DN]	50	50	80	80	80	100	100	100	150	150	150
TP2: TO PRODUCT TANK [DN]	50	50	80	80	80	80	80	80	100	100	100
TP3: FROM PRODUCT TANK (PCT) [DN]	40	40	50	50	50	80	80	80	100	100	100
TP3: FROM PRODUCT TANK (PPM) [DN]	25	25	40	40	40	40	40	40	50	50	50
TP4: GAS OUTLET (PCT) [DN]	50	50	50	50	50	80	80	80	100	100	100
TP4: GAS OUTLET (PPM) [DN]	25	25	50	50	50	50	50	50	50	50	50
TP5: WASTE EXHAUST [mm]	315	315	315	315	315	400	400	400	600	600	600

	Tank sizes and pipe connections (Imperial)										
	5.5	7.5	9.5	12	15	17	20	25	31	39	50
GEN2-MAX k	500	680	1060	1060	1060	1040	1550	2000	2560	3690	5000
AIR TANK VSD [gal]	660	660	1060	1060	1550	1550	2000	2560	3690	5000	5000
AIR TANK FIXED SPEED/PRODUCT TANK [gal]	2	2	3	3	3	3	4	4	6	6	6
TP1: AIR INLET [inch]	2	2	3	3	3	3	3	3	4	4	4
TP2: TO PRODUCT TANK [inch]	2	2	3	3	3	3	3	3	4	4	4
TP3: FROM PRODUCT TANK (PCT) [inch]	1 1/2	1 1/2	2	2	2	3	3	3	4	4	4
TP3: FROM PRODUCT TANK (PPM) [inch]	1	1	1 1/2	1 1/2	1 1/2	1 1/2	1 1/2	1 1/2	2	2	2
TP4: GAS OUTLET (PCT) [inch]	2	2	2	2	2	3	3	3	4	4	4
TP4: GAS OUTLET (PPM) [inch]	1 1/2	1 1/2	2	2	2	2	2	2	2	2	2
TP5: WASTE EXHAUST [inch]	12.4	12.4	12.4	12.4	12.4	15.75	15.75	15.75	23.6	23.6	23.6



Tolerances, if not indicated, according to:				
STANDARD CLASS				
Name	DIMENS. INSTALL.		GEN2-MAX5.5-50K	
Material	Not Applicable		Internal	
Treatment	Not Applicable		INV	
Scale 1:50		Family	A2/Compare	
Drawn by INESH/MA		Blank nr.		Replaces
Version Drwg		Blank wt		Designation
Des checked.		Prod checked.		Approved.
Date		Date		17/03/2022
Parent 3D model		Ed. Version 3D		Released
9829500831-M1		02.01		Designation
Blank wt		0 Kg		Final wt.
Sheet		1 / 1		9829500831-01

CONFIDENTIAL: This document is our property and shall not be distributed without our permission. All rights reserved. No part of this document may be reproduced or transmitted in any form or by any means electronic or mechanical, including photocopying, recording, or by any information storage and retrieval system.

Ed	Position	Modified from	Date	Intr./Appd.
			21/04/2022	User Agent

9829500831-M1	02.01
Parent 3D model	Ed. Version 3D

9829500831-01